



Manuals.plus /

- › SHA CERLIN /
- › SHA CERLIN Multi-Level Cat Tree Instruction Manual (Model 3482)

## SHA CERLIN 3482

# SHA CERLIN Multi-Level Cat Tree Instruction Manual

Model: 3482 | Brand: SHA CERLIN

## INTRODUCTION

---

Thank you for purchasing the SHA CERLIN Multi-Level Cat Tree. This manual provides detailed instructions for assembly, operation, maintenance, and troubleshooting to ensure safe and enjoyable use for your cats. This cat tree is designed to provide a comfortable and stimulating environment for multiple cats, featuring various levels, scratching surfaces, and resting areas.



Image: The SHA CERLIN Multi-Level Cat Tree in a living room setting, showcasing its various platforms, scratching posts, and cat houses, with two cats interacting with the structure.

## Safety Information

- Ensure all parts are securely fastened during assembly.
- Place the cat tree on a flat, stable surface.
- Utilize the included anti-tipping hardware to secure the cat tree to a wall, especially for active or multiple cats.
- Regularly inspect the cat tree for any loose or damaged parts and tighten or replace as necessary.
- Keep small children away from the cat tree during assembly and ensure they do not climb on it.
- This product is intended for indoor use only.

## SETUP AND ASSEMBLY

Assembly of the SHA CERLIN Multi-Level Cat Tree is designed to be straightforward. Please follow these steps carefully. All necessary hardware and tools are included.

## Package Contents



Image: An exploded view of the cat tree components, including various platforms, posts, and hardware, laid out for assembly.

Before beginning, verify that all parts listed in the instruction manual are present and undamaged. If any parts are missing or damaged, please contact customer support.

### Assembly Steps

- 1. Unpack Components:** Carefully remove all parts from the packaging and lay them out on a clean, soft surface to prevent scratches.
- 2. Identify Parts:** Refer to the included parts list and diagrams to identify each component (posts, platforms, houses, hammocks, hardware).
- 3. Assemble Base:** Attach the lowest posts to the main base platform using the provided screws and Allen wrench. Ensure they are tightened securely.
- 4. Build Upwards:** Continue attaching platforms and posts layer by layer, following the numerical sequence in the assembly diagram. Ensure each connection is firm.
- 5. Install Cat Houses and Hammocks:** Secure the cat houses and hammocks to their designated platforms as shown in the

instructions.

- 6. Attach Scratching Surfaces:** The sisal scratching posts are integrated into the structure. Ensure they are tightly screwed into place. The separate scratching board should be attached to the base as indicated.
- 7. Final Tightening:** Once all components are assembled, re-check all screws and connections to ensure maximum stability.
- 8. Install Anti-Tipping Hardware:** For enhanced safety, especially with active cats, use the provided wall anchor strap to secure the top of the cat tree to a sturdy wall stud.



Image: A visual guide demonstrating the installation of the anti-tipping mechanism, showing nails being installed into a wall and the strap attaching the cat tree to the wall for stability.

## FEATURES AND USAGE

The SHA CERLIN Multi-Level Cat Tree offers a variety of features designed to entertain and comfort your feline companions.

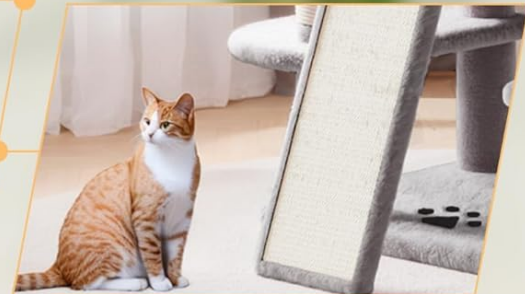
# Multiple Games Play play play!



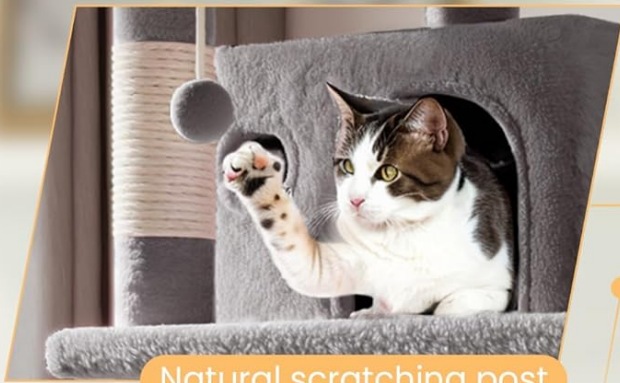
Sleeping Cradle



Amusing Furballs



Durable scratching board



Natural scratching post



Bolstered Top Perh

Image: A collage highlighting various interactive elements of the cat tree, such as a sleeping cradle, natural scratching posts, a durable scratching board, and bolstered top perches, with cats enjoying each feature.

- **Multi-Level Design:** Provides ample space for multiple cats to play, climb, and rest simultaneously. The varied heights cater to different preferences for observation and relaxation.
- **Natural Sisal Scratching Posts:** Each scratching post is wrapped with durable natural sisal rope, offering an ideal surface for cats to sharpen their claws and satisfy their natural scratching instincts, diverting them from furniture.
- **Cozy Plush Perches and Hammocks:** Soft, skin-friendly plush fabric covers all platforms, perches, and hammocks, providing warm and comfortable spots for napping and lounging.
- **Spacious Cat Apartments:** Enclosed cat houses offer private, secure spaces for cats to retreat, sleep, or observe their surroundings from a hidden vantage point.
- **Interactive Play Elements:** Dangling furballs and other integrated toys encourage playful activity and mental stimulation.
- **Durable Scratching Board:** An additional flat scratching board at the base provides another option for claw maintenance.

# Top perch with lovable



Image: A close-up view of a top perch, emphasizing the soft, plush material and bolstered edges, designed for cat comfort.

## MAINTENANCE AND CARE

Proper maintenance will extend the life of your SHA CERLIN Cat Tree and keep it hygienic for your pets.

- **Cleaning:** The plush surfaces should be cleaned by hand only. Use a damp cloth with mild soap for spot cleaning. Avoid harsh chemicals or machine washing.
- **Vacuuming:** Regularly vacuum the plush areas to remove loose fur and dust.
- **Sisal Rope:** Inspect sisal scratching posts periodically for wear and tear. While durable, heavily used areas may fray over time.
- **Stability Check:** Periodically check all screws and connections to ensure they remain tight. Re-tighten as needed to maintain stability.
- **Damage Inspection:** Inspect the entire structure for any signs of damage, such as splintered wood, torn fabric, or loose components. Address any issues promptly to prevent injury to your pets.

## TROUBLESHOOTING

---

If you encounter any issues with your SHA CERLIN Multi-Level Cat Tree, refer to the following common solutions:

- **Cat Tree Wobbles:**

- Ensure all screws are fully tightened.
- Verify the cat tree is placed on a flat, level surface.
- Confirm the anti-tipping strap is securely attached to both the cat tree and a wall stud.

- **Cats Not Using Scratching Posts:**

- Try sprinkling catnip on the sisal posts to attract your cats.
- Gently guide your cat's paws to the scratching surface to demonstrate its use.
- Ensure the cat tree is in a prominent location where your cats prefer to scratch.

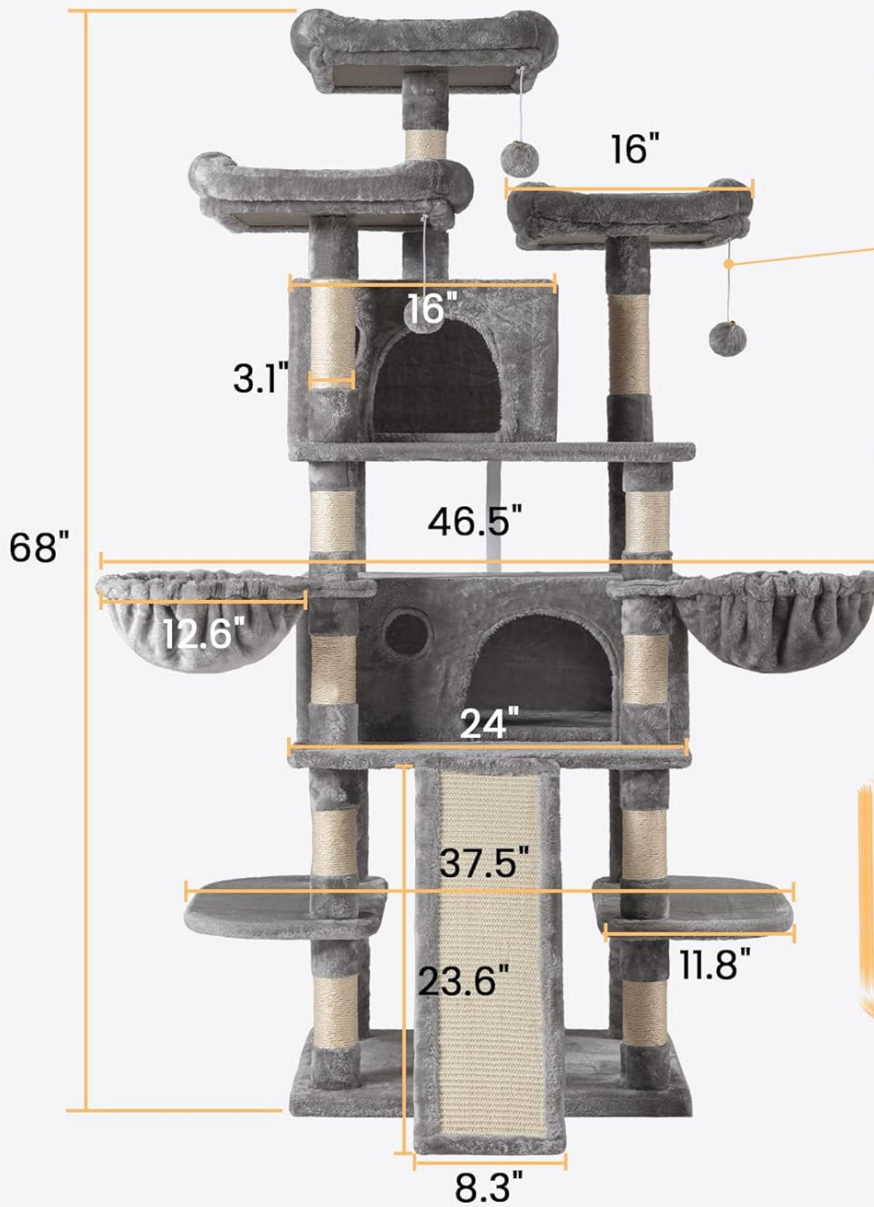
- **Loose or Damaged Parts:**

- Immediately remove any loose or damaged parts to prevent ingestion or injury.
- Contact customer support for replacement parts if necessary.

## SPECIFICATIONS

---

# PRODUCT DIMENSIONS



**⚠**  
**BEWARE OF BEING ENTANGLED**



**Weight Capacity**  
Hammock: 22 lbs.  
Other: 33 lbs.

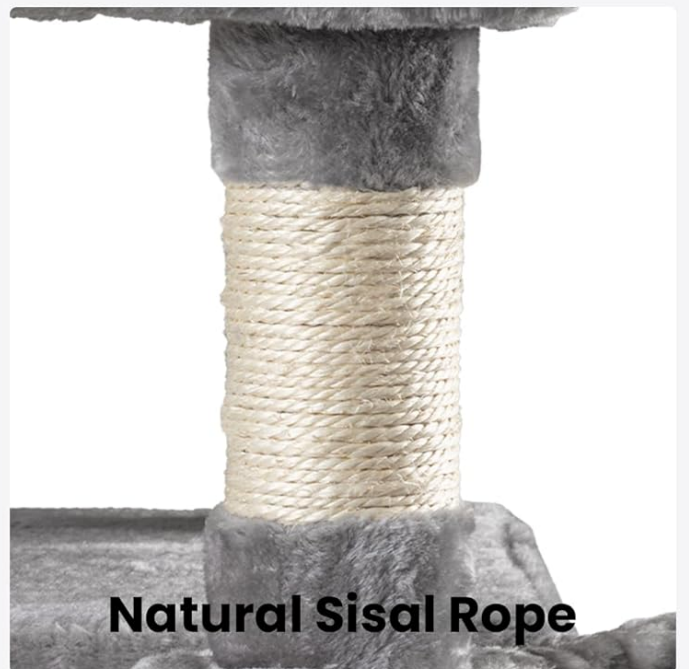


Image: A detailed diagram illustrating the overall dimensions of the cat tree (height, width, depth) and the weight capacity for hammocks and other platforms.

<b>Model Number:</b>	3482
<b>Brand:</b>	SHA CERLIN
<b>Overall Dimensions (L x W x H):</b>	118.1 cm x 77.5 cm x 172.7 cm (46.5 in x 30.5 in x 68 in)
<b>Product Weight:</b>	29.48 kg (65 lbs)
<b>Material:</b>	Eco-friendly Particle Board, Soft Plush Flannel, Natural Sisal Rope
<b>Hammock Weight Capacity:</b>	Up to 10 kg (22 lbs)
<b>Other Platform Weight Capacity:</b>	Up to 15 kg (33 lbs)
<b>Recommended Pet Type:</b>	Cats (All Breed Sizes)
<b>Assembly Required:</b>	Yes
<b>Special Features:</b>	Skin-friendly plush, Multi-level design, Anti-tipping hardware



**Soft Plush Flannel**



**Natural Sisal Rope**



**Eco-friendly Particle Board**

**PREFERRED MATERIAL**

Premium and durable,  
you can rest assured

Image: A detailed view of the high-quality materials used in the cat tree's construction, including soft plush flannel, natural sisal rope, and eco-friendly particle board.

## **WARRANTY INFORMATION**

---

Specific warranty details for the SHA CERLIN Multi-Level Cat Tree are typically provided with your purchase documentation. Please refer to the warranty card or contact your retailer for information regarding coverage, terms, and conditions. In general, manufacturers offer a limited warranty against defects in materials and workmanship.

## **CUSTOMER SUPPORT**

---

For any questions, concerns, or assistance with assembly or parts, please contact SHA CERLIN customer support. Contact information can usually be found on the product packaging, included documentation, or the official SHA CERLIN website. When contacting support, please have your model number (3482) and proof of purchase readily available.