



[Manuals.plus](#) /

> [JOY worker](#) /

> JOY worker Universal Projector Ceiling Mount Instruction Manual

**JOY worker 36bc9dfc-881f-4801-b8ba-89351a141488**

# JOY worker Universal Projector Ceiling/Wall Mount Instruction Manual

Model: 36bc9dfc-881f-4801-b8ba-89351a141488

Brand: JOY worker

## 1. INTRODUCTION

---

This manual provides detailed instructions for the safe and proper installation and use of your JOY worker Universal Projector Ceiling/Wall Mount. Please read this manual thoroughly before installation and retain it for future reference. This mount is designed to securely hold most projectors with mounting holes spaced 12.5 inches or less apart, supporting a maximum weight of 33 lbs for ceiling installation and 22 lbs for wall installation.

## 2. SAFETY INFORMATION

---

- Ensure the mounting surface (ceiling or wall) can safely support the combined weight of the mount and your projector.
- Use appropriate hardware for your specific mounting surface. If unsure, consult a qualified professional.
- Do not exceed the maximum weight capacity: 33 lbs (15 kg) for ceiling mount, 22 lbs (10 kg) for wall mount.
- Tighten all screws and bolts securely. Do not overtighten.
- Keep children and pets away from the installation area.
- Regularly check the mount for any signs of wear, damage, or loose connections.

## 3. PACKAGE CONTENTS

---

Verify that all components are present before beginning installation:

- Pre-assembled Projector Mount
- Mounting Hardware Kit (various screws, anchors, washers)
- Instruction Booklet (this manual)

## 4. PRODUCT FEATURES

---

- **High Quality Construction:** Crafted from heavy-duty steel for durability and stability.
- **3-in-1 Installation Options:** Supports Flush Ceiling, Telescoping Arm Ceiling, and Wall Installation.
- **Adjustable Length:** Telescoping arm adjusts from 5.5 inches to 25.2 inches (14 cm to 64 cm).
- **Full Motion Adjustment:** Offers 30-degree tilt, 30-degree swivel, and 360-degree rotation for optimal viewing angles.
- **Quick Release System:** Allows for safe and easy attachment or detachment of the projector.

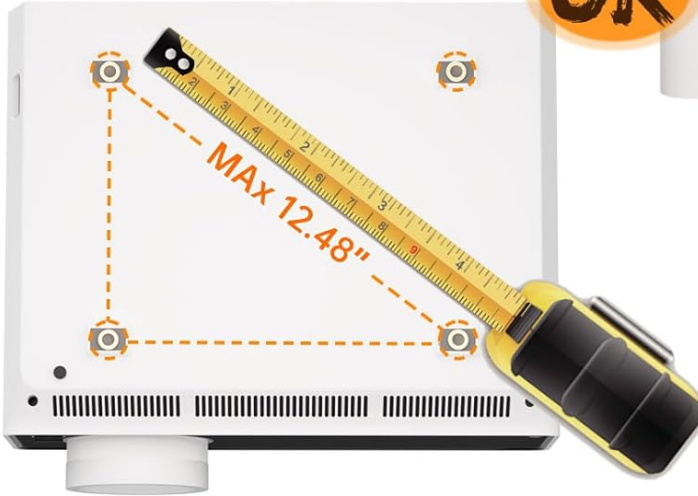
## 5. PROJECTOR COMPATIBILITY

This mount is compatible with most projectors that have 3 or 4 mounting holes on the back. Ensure that the diagonal spacing between any two mounting holes on your projector is between 5.7 inches and 12.48 inches (approximately 14.5 cm to 31.7 cm). The mount provides four types of screws (M4x16mm, M4x40mm, M6x16mm, M6x40mm) to connect to your projector.


# Check Projector Compatibility

Make sure each hole is less than **12.48"** inches apart

**4 HOLE PROJECTOR**



OR



**3 HOLE PROJECTOR**

**Provide 4 types of screws to connect the projector**





<b>A</b>	 M4x16mm x <b>4</b>	 M4x40mm x <b>4</b>
<b>B</b>	 M6x16mm x <b>4</b>	 M6x40mm x <b>4</b>

Image: Projector compatibility check, showing maximum hole spacing.



Image: Types of screws provided for projector attachment.

## 6. SETUP AND INSTALLATION

The JOY worker projector mount offers three primary installation methods: Flush Ceiling, Telescoping Arm Ceiling, and Wall Mount. Choose the method that best suits your needs.

### 6.1. General Assembly Steps

Before mounting to the ceiling or wall, assemble the main components of the mount as shown in the video below. This involves connecting the ceiling plate, extension pole (if used), and projector plate.

Your browser does not support the video tag.

Video: Assembly demonstration for the JOY worker Universal Projector Mount, showing how to connect the various parts of the mount before final installation.

### 6.2. Mounting Surface Compatibility

The mount can be installed on wood, concrete, or brick walls/ceilings. It is not suitable for drywall or vaulted ceilings without proper reinforcement.



Image: Compatible and incompatible mounting surfaces.

### 6.3. Installation Methods

Refer to the diagrams below for visual guidance on each installation type.

# Different Installation Methods

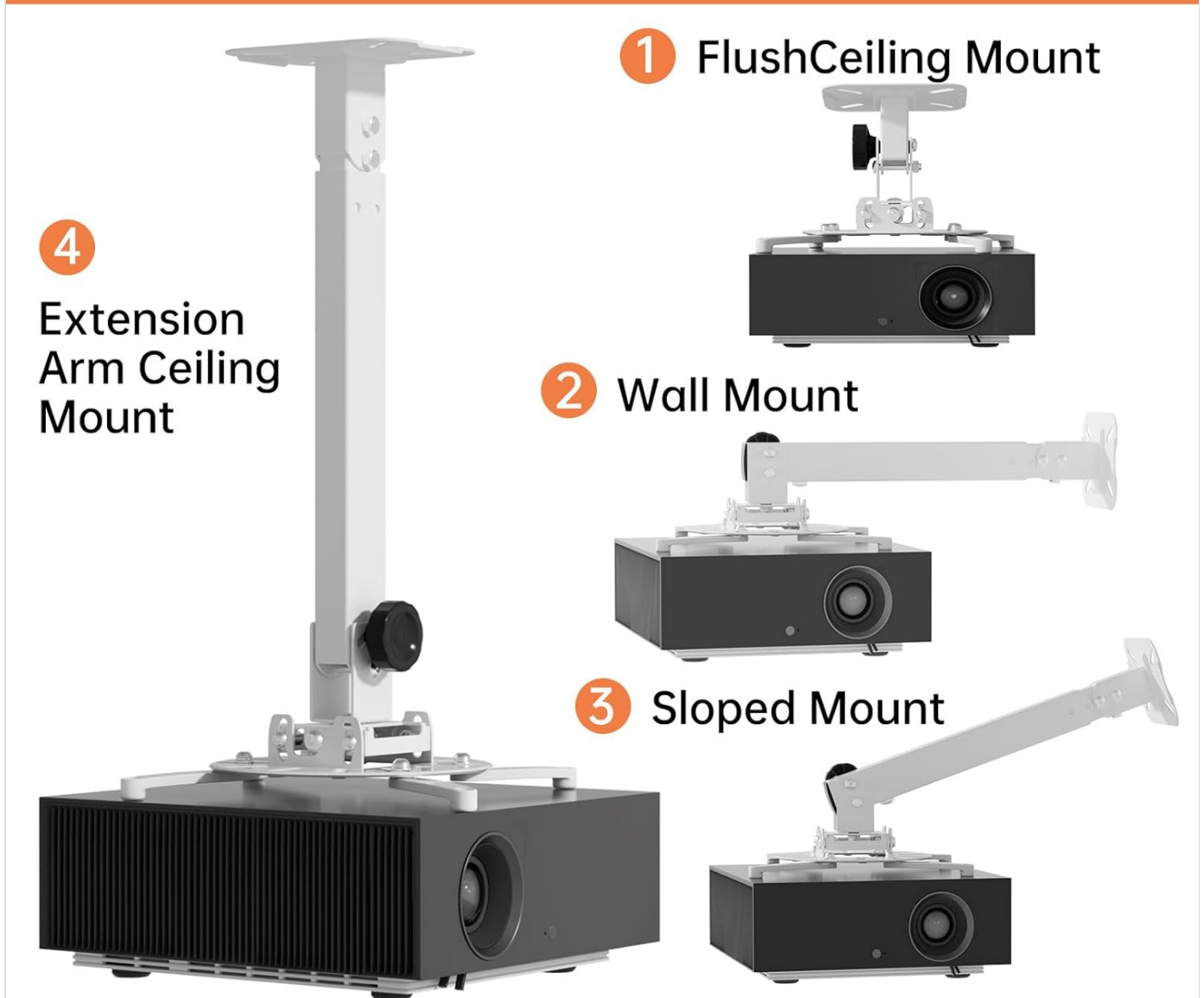


Image: Overview of different installation methods.

## 6.3.1. Flush Ceiling Installation

1. Attach the ceiling plate directly to the ceiling using appropriate screws and anchors.
2. Connect the projector mounting plate assembly to the ceiling plate.

## 6.3.2. Telescoping Arm Ceiling Installation

1. Attach the ceiling plate to the ceiling.
2. Connect the extension pole to the ceiling plate.
3. Connect the projector mounting plate assembly to the extension pole.
4. Adjust the pole length as desired (5.5" to 25.2").

## 6.3.3. Wall Installation

1. Attach the wall plate to a sturdy wall stud or use appropriate anchors for concrete/brick.
2. Connect the adjustable arm to the wall plate.
3. Connect the projector mounting plate assembly to the adjustable arm.



Image: Height and length adjustments for ceiling and wall installations.

#### 6.4. Attaching the Projector

Once the mount is securely installed, attach your projector to the projector mounting plate. Adjust the four arms on the projector plate to align with your projector's mounting holes. Secure the projector using the appropriate screws from the hardware kit.

# Adjust to Fit Your Projector

Diagonal Mounting Hole Spacing: 5.7" to 12.48"

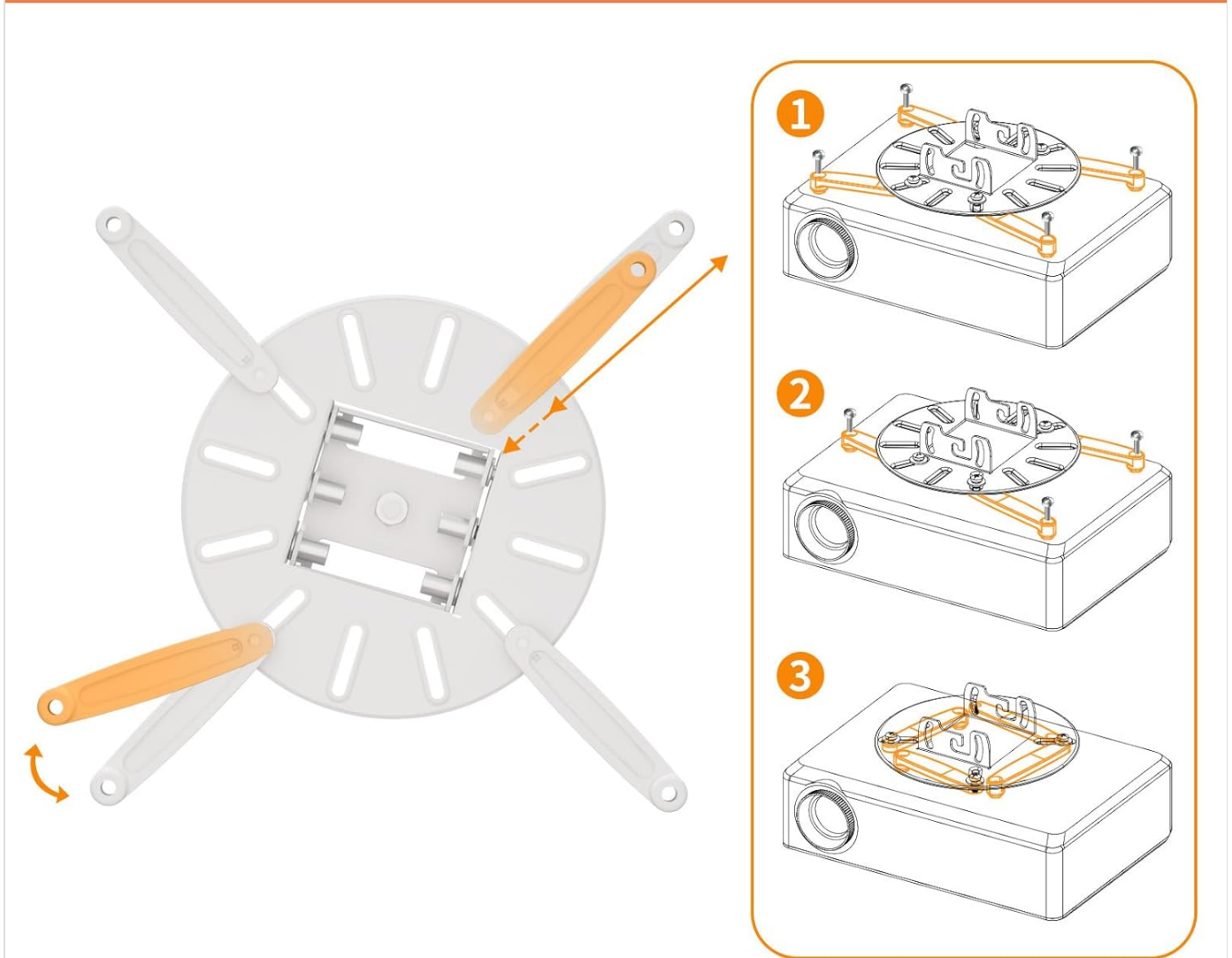


Image: Adjusting the mount arms to fit the projector.

## 7. ADJUSTMENT

The mount allows for precise positioning of your projector to achieve the optimal viewing experience.

### 7.1. Height Adjustment (Telescoping Arm)

For telescoping arm ceiling installations, loosen the adjustment knob on the extension pole to slide the inner pole to your desired height (between 5.5 and 25.2 inches). Tighten the knob securely to lock the height.

### 7.2. Full Motion Adjustment

The projector mount head provides full motion capabilities:

- **Tilt:** Adjust the projector up or down by up to  $\pm 30$  degrees.
- **Swivel:** Adjust the projector left or right by up to  $\pm 30$  degrees.
- **Rotation:** Rotate the projector 360 degrees horizontally.

Loosen the relevant adjustment screws/knobs, position the projector, and then tighten them firmly to secure the desired angle.

# Full Motion Adjustable

Pitch:  $\pm 30^\circ$



Rotation:  $360^\circ$



Roll:  $\pm 30^\circ$

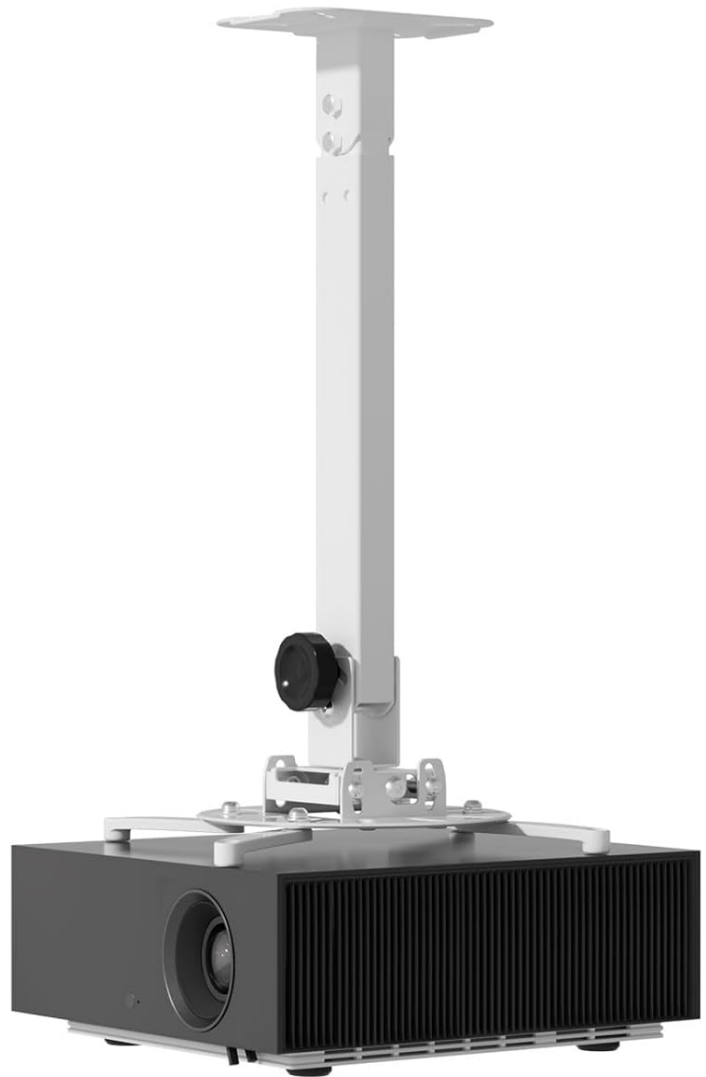


Image: Full motion adjustment capabilities (tilt, rotation, swivel).

## 8. OPERATING (QUICK RELEASE SYSTEM)

The mount features a quick release system for easily attaching or detaching your projector without disassembling the entire mount. To use it, align the projector plate with the mount's receiver and slide it into place until it locks securely. To release, engage the quick-release mechanism (usually a lever or button) and slide the projector plate off.

# QUICK RELEASE SYSTEM

Attach Or Detach Your Projector **Safely** And **Easily**



Image: Quick release system for projector attachment/detachment.

## 9. MAINTENANCE

- **Cleaning:** Wipe the mount with a soft, dry cloth. Avoid abrasive cleaners or solvents.
- **Periodic Checks:** Periodically inspect all screws and connections to ensure they remain tight and secure. Re-tighten if necessary.
- **Weight Capacity:** Do not place additional weight on the projector or mount beyond the specified limits.

## 10. TROUBLESHOOTING

- **Projector is not stable:** Ensure all mounting screws for both the mount to the surface and the projector to the mount are securely tightened. Verify that the mounting surface is strong enough.
- **Cannot adjust angle:** Loosen the tilt/swivel/rotation adjustment knobs or screws sufficiently before attempting to adjust. Re-tighten after positioning.
- **Mounting arms do not fit projector:** Double-check your projector's mounting hole pattern and diagonal spacing against the mount's compatibility specifications (5.7" to 12.48"). Ensure the correct screw size is used.

- **Mount feels loose after installation:** Re-check all connections. If installed on wood, ensure screws are driven into solid studs. If on concrete/brick, ensure anchors are properly seated.

## 11. SPECIFICATIONS

<b>Product Dimensions</b>	15.16 x 7.48 x 3.03 inches (38.5 x 19 x 7.7 cm)
<b>Item Weight</b>	5.1 pounds (2.3 kg)
<b>Model Number</b>	36bc9dfc-881f-4801-b8ba-89351a141488
<b>Material</b>	Heavy-duty Steel
<b>Color</b>	White
<b>Mounting Type</b>	Ceiling Mount, Wall Mount
<b>Max Load Capacity (Ceiling)</b>	33 lbs (15 kg)
<b>Max Load Capacity (Wall)</b>	22 lbs (10 kg)
<b>Adjustable Length</b>	5.5 inches to 25.2 inches (14 cm to 64 cm)
<b>Tilt Adjustment</b>	±30 degrees
<b>Swivel Adjustment</b>	±30 degrees
<b>Rotation Adjustment</b>	360 degrees
<b>Projector Hole Spacing</b>	Diagonal 5.7 inches to 12.48 inches (14.5 cm to 31.7 cm)

## 12. WARRANTY AND SUPPORT

JOY worker is committed to providing quality products. While specific warranty details are not provided in this manual, if our product is not suitable for your projector, or if you have any questions or encounter issues during installation or use, please do not hesitate to contact us through the retailer where you purchased the product. Our customer support team is available to assist you.