

VEVOR B-3030-D

VEVOR 30x30 Inch Stainless Steel Pool Handrail (2-Pack) Instruction Manual

Model: B-3030-D

1. INTRODUCTION

This manual provides essential information for the safe and effective installation, operation, and maintenance of your VEVOR 30x30 Inch Stainless Steel Pool Handrail (2-Pack). Please read these instructions thoroughly before installation and retain them for future reference.

2. SAFETY INFORMATION

- **Weight Capacity:** Each handrail is designed to support a vertical weight of up to 220 lbs (100 kg) and a side pull load of 375 lbs (170 kg). Do not exceed these limits.
- **Saltwater Pools:** For saltwater pool environments, 316 stainless steel or other specialized materials are generally recommended. This 304 stainless steel product may have a potential risk of rusting in such conditions. Regular inspection and maintenance are crucial.
- **Secure Installation:** Ensure the handrails are securely mounted to a stable surface according to the installation instructions to prevent accidents.
- **Children:** Supervise children around pool areas, especially when using handrails.

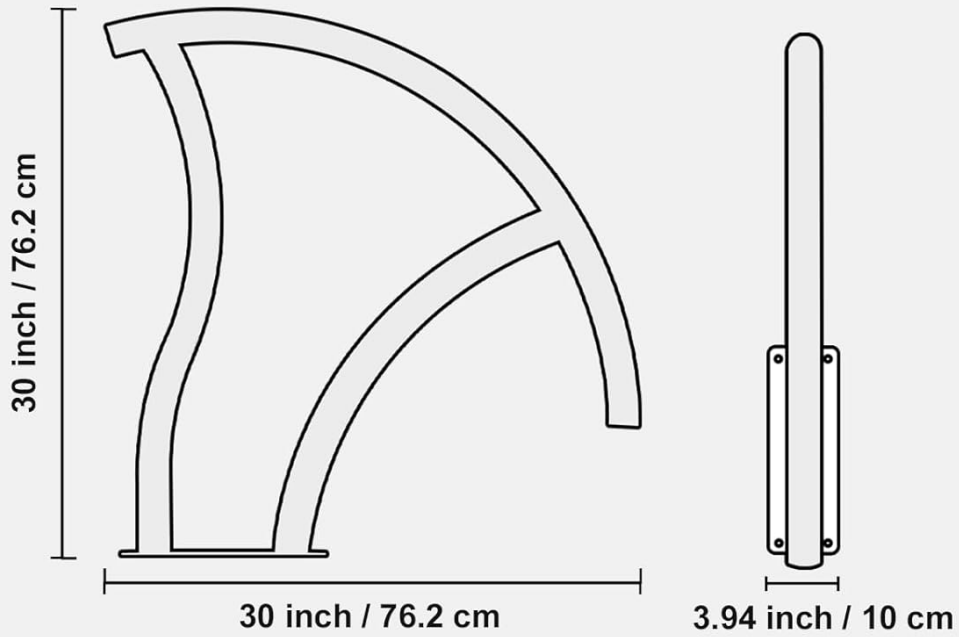
3. PACKAGE CONTENTS

Verify that all components are present and undamaged before beginning installation.

- VEVOR 30x30 Inch Stainless Steel Pool Handrail (2 units)
- Non-Slip Grip Covers (2 units)
- Installation Hardware (including expansion anchors, screws, drill bit, and open-end wrench)

4. SPECIFICATIONS

Feature	Specification
Brand	VEVOR
Model Number	B-3030-D
Material	304 Stainless Steel
Color	Silver White
Product Dimensions (L x W x H)	30 x 30 x 3.94 inches (76.2 x 76.2 x 10 cm)
Net Weight (per unit)	Approx. 6.95 lbs (3.15 kg) - Total 13.9 lbs for 2 units
Vertical Weight Capacity	220 lbs (100 kg)
Side Pull Load Bearing	375 lbs (170 kg)
Finish Type	Textured
Style	Modern



B-3030-D

Item Model No.:

13.89 lbs / 6.3 kg

Net weight :

Stainless Steel

Main Material :

Silver White

Color:

220 lbs / 100 kg

Vertical Weight Capacity:

2

Number of armrests:

30 x 30 x 3.94 inch / 76.2 x 76.2 x 10 cm

Product Size:

Figure 4.1: Detailed dimensions and specifications of the VEVOR Pool Handrail.

5. SETUP AND INSTALLATION

The VEVOR Pool Handrail is designed for easy installation on various surfaces including concrete, wood, tile, or marble. Follow these steps for secure mounting.

4 STEPS TO SET UP

Complete Accessories included



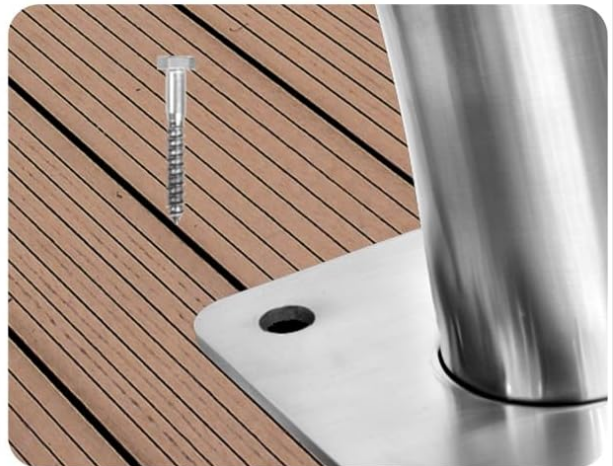
1. Measure Distance



2. Mark & Drill



3. Insert Anchors



4. Tight Screws

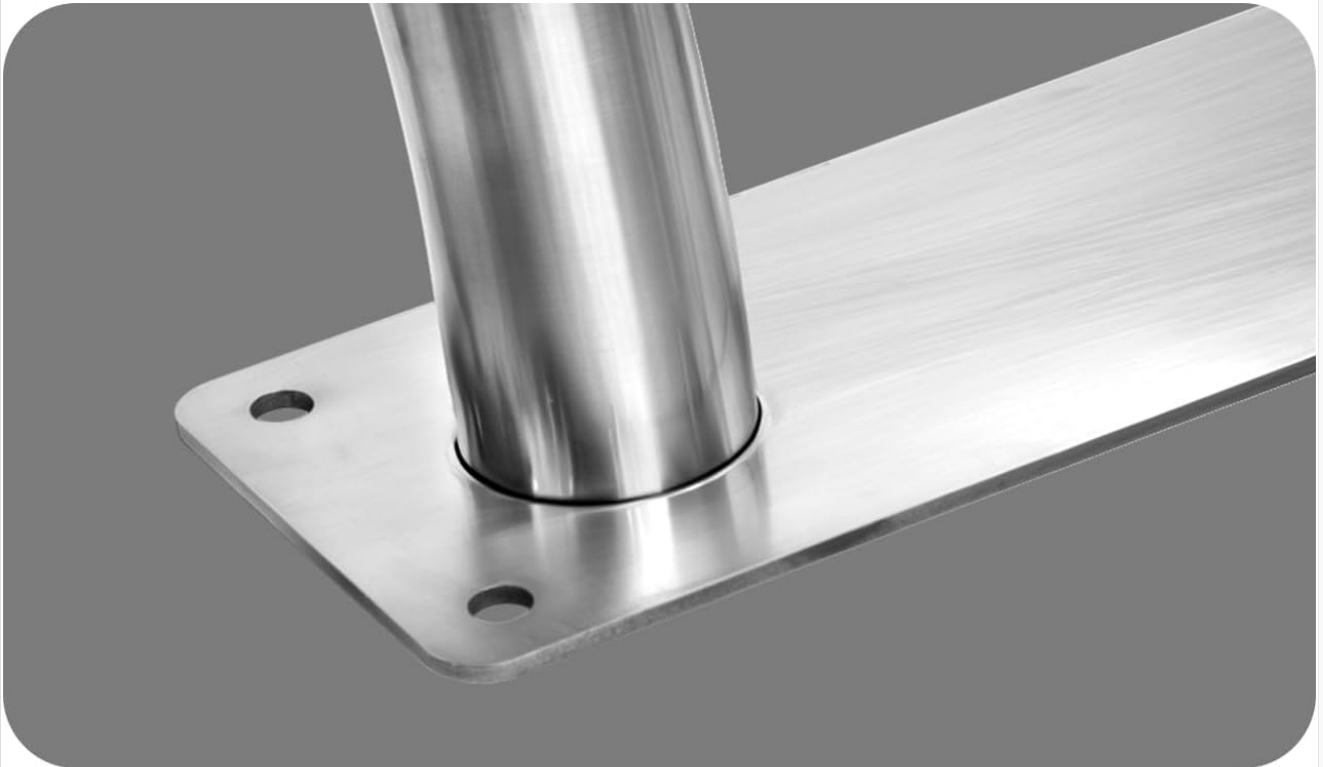
Figure 5.1: Overview of the 4-step installation process.

Installation Steps:

- 1. Measure and Position:** Carefully determine the desired location for each handrail. Ensure adequate clearance and optimal positioning for safe entry and exit. Mark the exact drilling points for the base plate.
- 2. Drill Holes:** Using the appropriate drill bit (included) and a suitable drill (a hammer drill is recommended for concrete surfaces), drill holes at the marked locations. Ensure the depth and diameter match the provided expansion anchors.
- 3. Insert Anchors:** Place the expansion anchors into the drilled holes. Ensure they are fully seated.
- 4. Secure Handrail:** Position the handrail base plate over the anchors. Insert the screws and tighten them securely using the provided open-end wrench. Ensure the handrail is firm and does not wobble.

FIT ANYWHERE

Pre-drilled holes, no more drilling required



Concrete



Wood



Brick

Figure 5.2: The handrail base plate is compatible with concrete, wood, and brick surfaces.

Grip Cover Installation:

The non-slip grip covers are designed for comfort and enhanced grip. Simply wrap the covers around the top section of the handrails and secure them using the integrated Velcro fasteners.

NON-SLIP GRIP

Removable Handrails



Anti-Scald in Summer
Keep Warm in Winter



Figure 5.3: Demonstrating the non-slip grip cover and its Velcro attachment.

6. OPERATING INSTRUCTIONS

The VEVOR Pool Handrails are designed to provide stable support for safe entry and exit from pools, spas, and decks.

- **Safe Entry/Exit:** Always use the handrails to steady yourself when entering or exiting the water. Maintain a firm grip on the handrail.
- **Non-Slip Grip:** The included grip covers enhance safety by providing a comfortable, non-slip surface, especially when wet or in varying temperatures.

STABLE & UNSHAKEABLE

375 lbs / 170 kg Side Pull Load Bearing



Figure 6.1: The handrail provides stable support for safe pool access.

7. MAINTENANCE

Regular maintenance will ensure the longevity and continued safe operation of your VEVOR Pool Handrails.

- **Routine Cleaning:** Clean the stainless steel handrails regularly with a soft cloth and mild, non-abrasive detergent. Rinse thoroughly with fresh water and dry to prevent water spots.
- **Rust Spot Removal:** If rust spots appear, particularly in saltwater environments, gently clean them using a blue Scotch Brite pad. Avoid harsh abrasive cleaners or steel wool, which can damage the finish.
- **Grip Cover Care:** The grip covers can be removed for cleaning. Wash with mild soap and water, then air dry. Reattach securely.
- **Hardware Check:** Periodically inspect all mounting hardware to ensure screws and anchors remain tight. Retighten if any looseness is detected.

304 STAINLESS STEEL

No Fear of Harsh Sunlight



Figure 7.1: The 304 stainless steel construction requires proper care, especially in corrosive environments.

8. TROUBLESHOOTING

- **Handrail Feels Loose:**

Possible Cause: Mounting hardware is not sufficiently tightened or has loosened over time.

Solution: Re-check all screws and anchors. Tighten them securely. If the mounting surface is compromised, consider re-drilling in a new location or using stronger anchors.

- **Rust Spots Appearing:**

Possible Cause: Exposure to corrosive elements, especially in saltwater pools, or lack of regular cleaning.

Solution: Clean rust spots immediately with a blue Scotch Brite pad. Increase cleaning frequency. For saltwater pools, be aware that 304 stainless steel may be susceptible to corrosion; consider alternative materials for future installations if rust is persistent.

- **Grip Covers Fading/Wearing Out:**

Possible Cause: Prolonged exposure to sunlight and pool chemicals.

Solution: This is typically cosmetic and does not affect the functionality of the handrail. Replacement grip covers may be available from VEVOR customer support.

9. WARRANTY AND SUPPORT

For warranty information, technical support, or to inquire about replacement parts, please contact VEVOR customer service through their official website or the retailer where the product was purchased. Please have your model number (B-3030-D) and purchase details ready.

