



[Manuals.plus](#) /

› [Topeakmart](#) /

› Topeakmart Lift Top Coffee Table Instruction Manual

## Topeakmart Lift Top

# Topeakmart Lift Top Coffee Table Instruction Manual

Model: Lift Top (47.5 x 23.5 x (19.5-25)" LxWxH, White)

## PRODUCT OVERVIEW

---

This functional coffee table features a lift-top design, allowing the tabletop to be adjusted to a comfortable height for various activities such as working on a laptop, writing, or dining. It includes a hidden storage compartment and an open lower shelf for organization.



The Topeakmart Lift Top Coffee Table in its closed position, showcasing its sleek design and integrated lower storage shelf.

## IMPORTANT SAFETY INFORMATION

---

- Do not stand on the tabletop.
- Exercise caution with fingers when lifting or lowering the tabletop to prevent pinching.
- Avoid placing hot containers directly on the tabletop. The use of drink coasters or pot holders is recommended.
- Ensure all assembly hardware is securely fastened before use.

## PACKAGE CONTENTS

---

Verify that all components are present before beginning assembly.

- 1 x Lift Top Coffee Table (all necessary parts)
- 1 x Assembly Instructions

- 1 x Accessory Kit (hardware)

## ASSEMBLY INSTRUCTIONS

---

This coffee table is designed for straightforward assembly. An illustrated instruction manual and all necessary hardware are included to guide you through the process.

1. Unpack all components and verify against the parts list in the included manual.
2. Follow the step-by-step instructions provided in the assembly manual.
3. Attach the protective foam pads (included) between the tabletop and legs as bumpers to protect the tabletop and ensure quiet operation.
4. Ensure all screws and fasteners are tightened securely.



Close-up view of the protective foam pads, which should be installed to cushion the tabletop and prevent noise during operation.

# OPERATING THE LIFT TOP

---

The coffee table features a spring-loaded mechanism for easy adjustment of the tabletop height.

## Lifting the Tabletop

1. Gently grasp the edge of the tabletop.
2. Lift the tabletop upwards. The spring mechanism will assist in raising it smoothly to the desired height (between 19.5" and 25").
3. Ensure the tabletop is stable before placing items on it.

## Lowering the Tabletop

1. Clear any items from the tabletop.
2. Gently push the tabletop downwards. The spring mechanism will allow it to lower smoothly back into the closed position.
3. Be mindful of fingers during this process.

## Using Storage Features

The table offers both hidden and open storage options.

- **Hidden Compartment:** Lift the tabletop to access the large compartment underneath. This space is ideal for storing items you wish to keep out of sight, such as laptops, remote controls, or blankets.
- **Open Shelf:** The bottom open shelf provides additional space for displaying decorative items or storing frequently accessed belongings.



The lift-top coffee table in its elevated position, demonstrating its use as a convenient surface for a laptop or dining. The hidden compartment is visible underneath.



A view inside the hidden storage compartment, showing space for various items like books, headphones, and small speakers.



Close-up of the durable metal spring-loaded mechanism that facilitates the smooth lifting and lowering of the tabletop.

## CARE AND MAINTENANCE

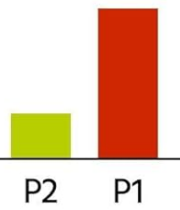
---

To maintain the appearance and longevity of your coffee table, follow these care guidelines:

- **Cleaning:** Wipe the surface with a soft, damp cloth. Avoid harsh chemicals or abrasive cleaners.
- **Spills:** Promptly wipe up any spills to prevent damage to the material.
- **Heat Protection:** Always use coasters or protective pads under hot items.
- **Material:** The table is constructed from CARB Phase 2 MDF and metal, designed to be water-resistant and scratch-resistant for easy cleaning and durability.
- **Robotic Vacuum Clearance:** The design allows for most robotic vacuum cleaners to pass underneath the open shelf for convenient cleaning.

# P2-COMPLIANT MATERIAL

Formaldehyde Emission



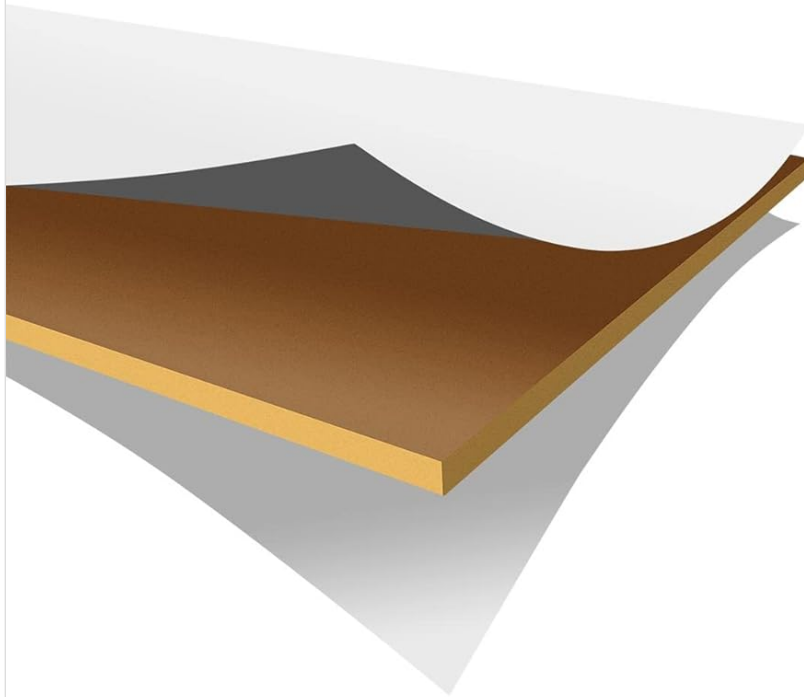
 Waterproof



 Scratch-Resistant



 Durable



An infographic highlighting the P2-compliant material, emphasizing its waterproof, scratch-resistant, and durable properties for easy maintenance.

## Upgraded adjustable bottom shelf design is convenient for most robotic vacuum cleaners to go through.



A comparison image showing the upgraded bottom shelf design, which provides sufficient clearance for most robotic vacuum cleaners to operate smoothly underneath.

### TROUBLESHOOTING

---

#### Tabletop not lifting/lowering smoothly

- Check for any obstructions in the lift mechanism.
- Ensure all screws securing the mechanism are tight.
- If the issue persists, contact customer support.

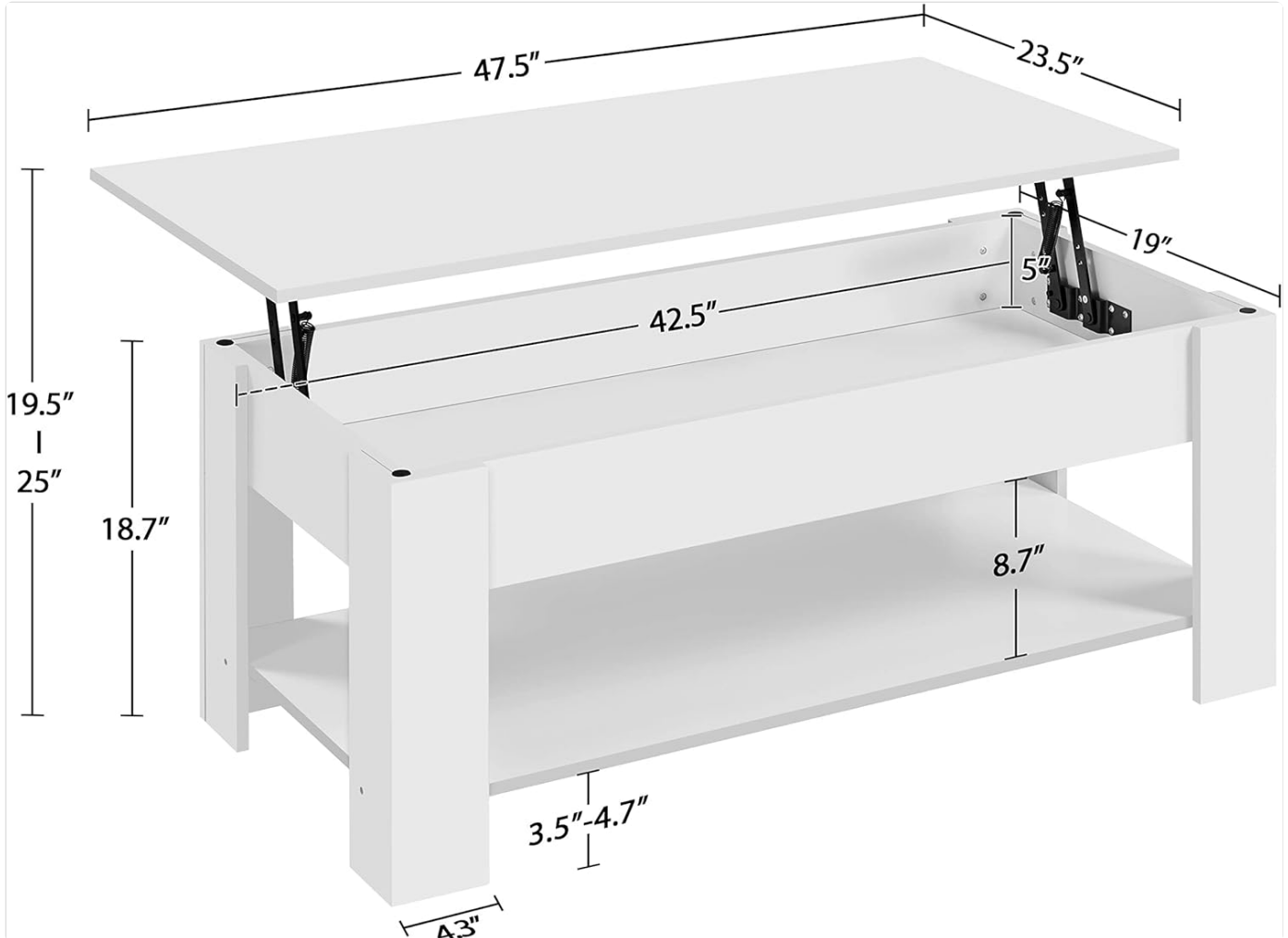
#### Table feels unstable

- Verify that all assembly hardware is fully tightened.
- Ensure the table is placed on a flat, even surface.

### PRODUCT SPECIFICATIONS

---

Feature	Detail
Brand	Topeakmart
Model Name	Lift Top
Color	White
Material	CARB Phase 2 MDF, Metal
Overall Dimensions (LxWxH)	47.5 x 23.5 x (19.5-25) inches
Tabletop Size (LxW)	47.5 x 23.5 inches
Hidden Compartment Inner Size (LxWxD)	42.5 x 19 x 5 inches
Open Shelf Size (WxDxH)	43.7 x 20 x 8.7 inches
Item Weight	58.09 lbs (approx. 66 lbs G.W.)
Max. Load Capacity (Extended Tabletop)	33 lbs
Max. Load Capacity (Hidden Compartment)	44 lbs
Max. Load Capacity (Open Shelf)	44 lbs
Assembly Required	Yes



A detailed diagram illustrating the dimensions of the Topeakmart Lift Top Coffee Table, including overall length, width, height, and internal compartment measurements.

## **WARRANTY INFORMATION**

---

For specific warranty details, please refer to the documentation included with your product or contact Topeakmart customer support directly.

## **CUSTOMER SUPPORT**

---

If you have any questions, require assistance with assembly, or encounter any issues with your Topeakmart Lift Top Coffee Table, please contact Topeakmart customer support. Refer to the product packaging or the official Topeakmart website for contact information.