

## AMOCAM B09LLH9SWM

# AMOCAM Wireless WiFi Access Control Keypad Instruction Manual

Model: B09LLH9SWM

## INTRODUCTION

---

Welcome to the AMOCAM Wireless WiFi Access Control Keypad. This manual provides essential information for the proper installation, operation, and maintenance of your new access control system. Please read thoroughly before use to ensure safe and efficient functionality.

## PRODUCT FEATURES

---

- **Wireless Smartphone App Operation:** Control the keypad remotely using the free TUYA App, available for iOS and Android. Manage passwords, ID cards, and view door opening records from anywhere.
- **Multiple User Capacity:** Supports up to 2000 users, allowing for flexible access management.
- **Multiple Access Methods:** Unlock the door using an ID card, a password, or directly through the TUYA App.
- **Backlit Keypad:** Features a backlight design for clear visibility and operation in dark locations or at night. Red, yellow, and green LEDs indicate different working statuses.
- **Wiegand 26 Support:** Compatible with Wiegand 26 input or output for integration with other access control devices.
- **External Device Support:** Supports connection to an external doorbell and exit switch for enhanced functionality.



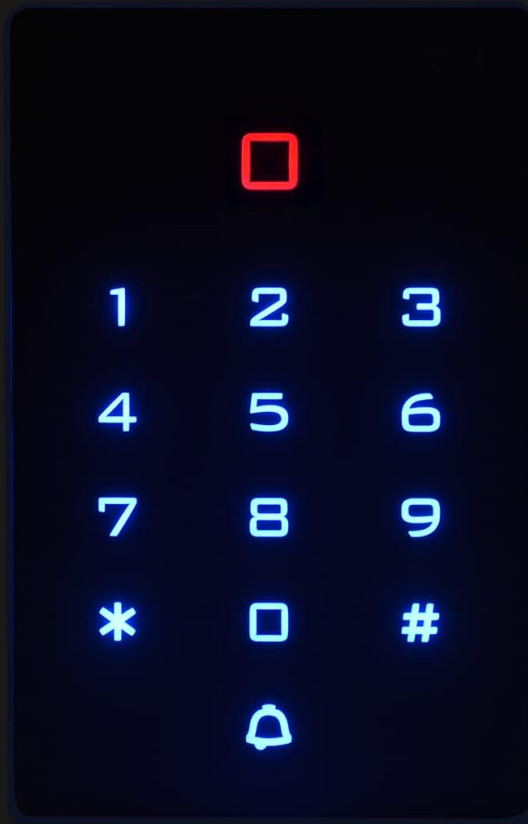
- ✓ Mobile APP remote unlocking
- ✓ Mobile APP user data management
- ✓ Real-time alerts
- ✓ Temporary password
- ✓ Record View
- ✓ Data Backup
- ✓ ID card swipe
- ✓ Wiegand 26



AMOCAM Wireless WiFi Access Control Keypad with included ID keychains and smartphone app interface.

## Backlit keys, clear to use at night

Red, Yellow and Green LEDs display the working status



The keypad features backlit keys for clear visibility and operation in dark environments.

### PACKAGE CONTENTS

Verify that all items listed below are included in your package:

- Wireless WiFi Access Control Keypad
- 5 x ID Keychains
- Mounting Hardware (screws)
- Wiring Harness
- User Manuals (Keypad Access Control User Manual, Tuya App Manual)



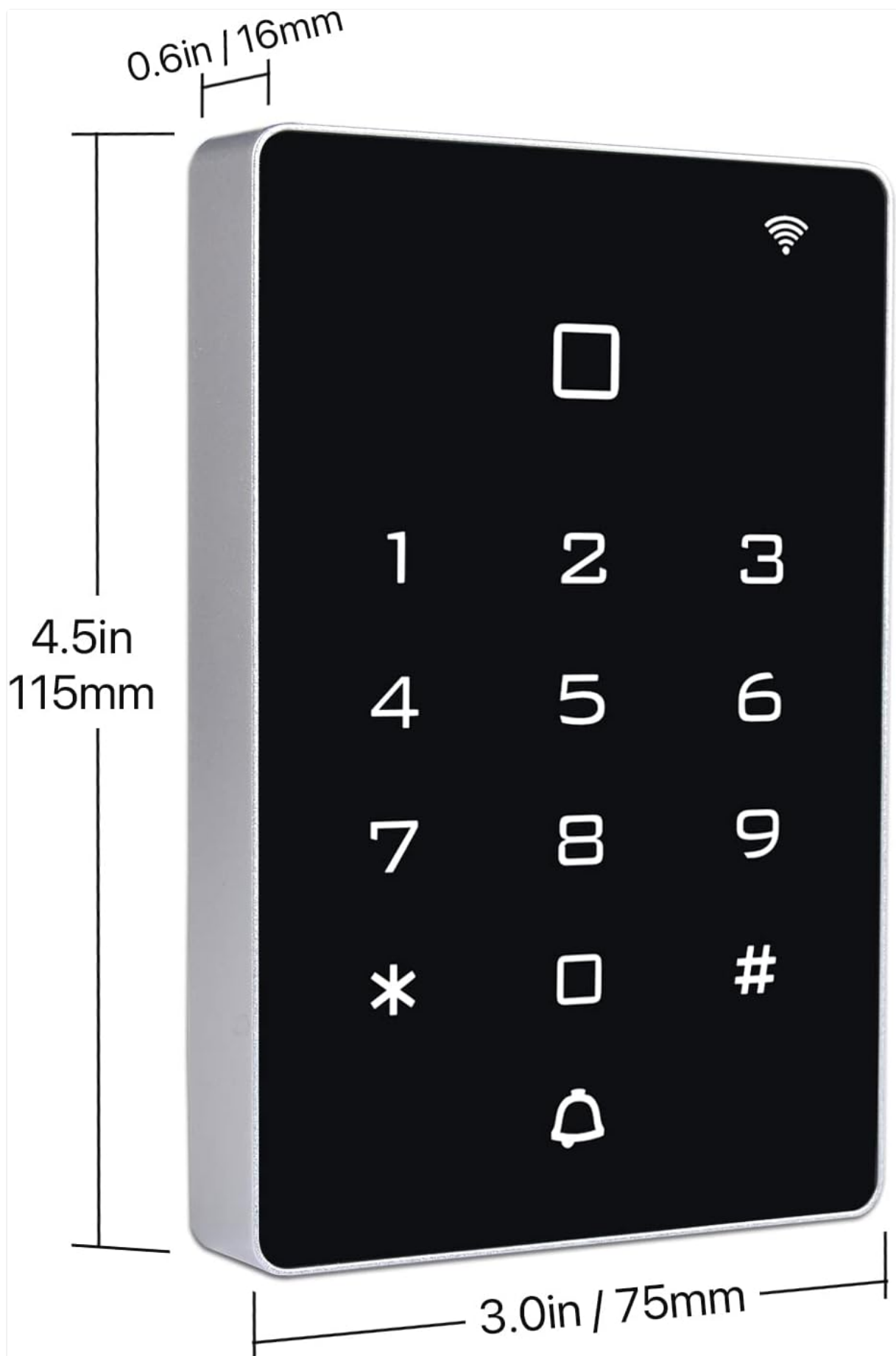
Contents of the AMOCAM Wireless WiFi Access Control Keypad package, including the keypad, ID keychains, and documentation.

## INSTALLATION GUIDELINES

Proper installation is crucial for optimal performance and security. Ensure all power is disconnected before beginning installation.

### Mounting the Keypad

The keypad should be mounted in a secure location. If installed outdoors, ensure it is protected from direct weather exposure to prolong its lifespan. Refer to the product dimensions for appropriate placement.

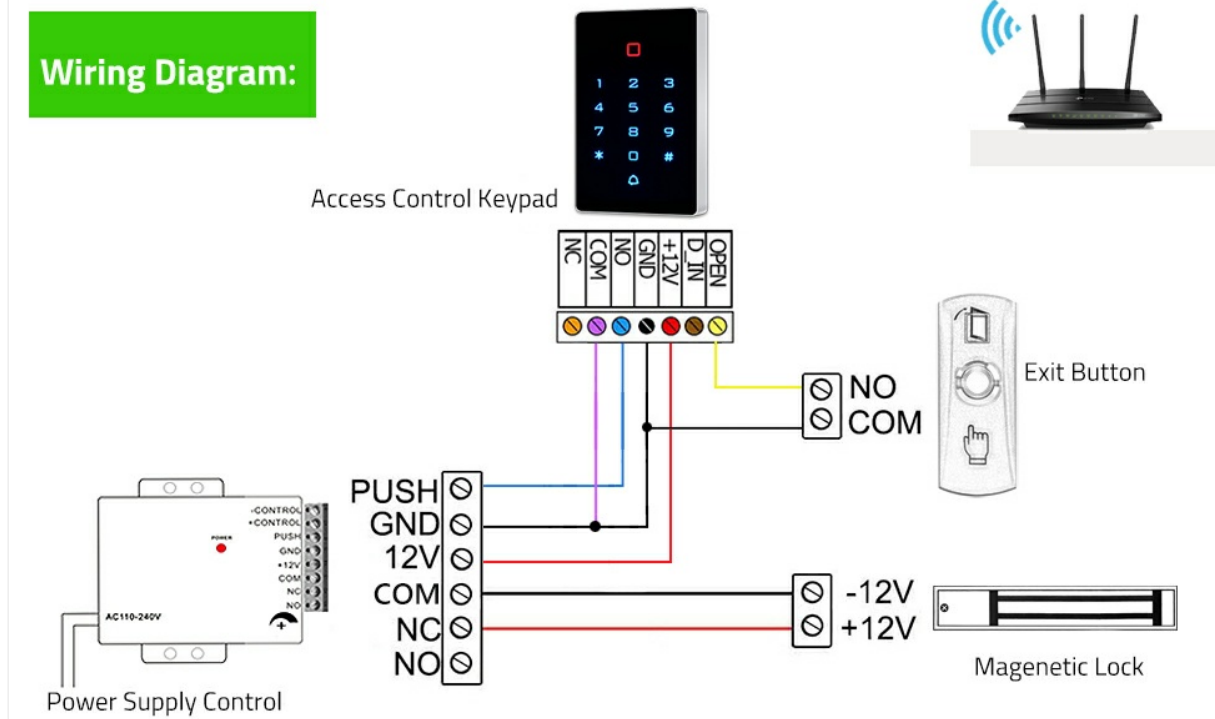


Dimensions of the AMOCAM Wireless WiFi Access Control Keypad, measuring 4.53 inches in length, 2.95 inches in width, and 0.63 inches in height.

### Wiring Diagram

Connect the access control keypad to the power supply and electric lock according to the following diagram. Ensure correct polarity and secure connections for safe operation.

## Wiring Diagram:



Detailed wiring diagram for connecting the AMOCAM Access Control Keypad to a power supply, electric lock, and exit button.

## OPERATING INSTRUCTIONS

### Initial Setup and App Connection

1. Connect the access controller to a 12V power supply and the electric lock.
2. On the keypad, enter \*999999#73# to activate wireless pairing mode. The default master code is 999999.
3. Download the **TUYA App** from the App Store (iOS) or Google Play (Android).
4. Open the TUYA App, click "Add Device", and allow it to automatically search for the access control keypad.
5. Select your 2.4 GHz Wi-Fi network and enter the password. *Ensure your smartphone is connected to the same 2.4 GHz network.*
6. Once added, click "Done" to complete the setup.

This video demonstrates the process of adding the AMOCAM Access Control Keypad to the Tuya smartphone application, including entering pairing mode and connecting to Wi-Fi.

### Remote Unlocking via App

The TUYA App allows for remote unlocking of the connected door.

1. In the app, navigate to settings and enable "Remote unlock setting".
2. Press the unlock icon in the app to remotely unlock the door.

### Adding Temporary Codes

Temporary access codes can be generated and managed through the TUYA App for guest access or limited-time entry.

1. In the app, select the option to add a temporary code.
2. Enter the desired temporary code and set its effective time (start and end dates/times).
3. Click "Save" to finalize the temporary code.

### User Management (Adding ID Cards)

The keypad supports adding up to 2000 users, including ID cards, for convenient access.

1. From standby mode, press \*999999# (default master code) to enter management mode. The red light will flash, then turn green upon correct entry.
2. Press 1 to enter the "Add User Card" mode.
3. Swipe the ID card(s) you wish to add over the keypad. Multiple cards can be added consecutively.
4. Press # to confirm the additions.
5. Press \* to exit management mode.

This video illustrates how to add user ID cards to the AMOCAM Access Control Keypad, demonstrating the steps to enter management mode and register new cards.

## Checking Door Opening Records

The TUYA App provides a detailed log of door opening events, allowing you to monitor access history.

1. Open the TUYA App and navigate to the history or log section for the access control keypad.
2. View the records of door openings, including temporary code usage and timestamps.

## MAINTENANCE

---

Regular maintenance helps ensure the longevity and reliable operation of your access control keypad.

- **Cleaning:** Regularly clean the keypad surface with a soft, dry cloth. Avoid using abrasive cleaners, solvents, or harsh chemicals, as these can damage the finish or internal components.
- **Environmental Protection:** Ensure the keypad is protected from extreme temperatures, direct sunlight, and excessive moisture. While designed for durability, prolonged exposure to harsh conditions can affect performance.
- **Connection Check:** Periodically inspect all wiring connections to ensure they are secure and free from corrosion or damage. Loose connections can lead to intermittent operation.

## TROUBLESHOOTING

---

If you encounter issues with your AMOCAM Wireless WiFi Access Control Keypad, refer to the following common problems and solutions.

### Keypad Not Responding

- **Power Supply:** Check all power supply connections. Ensure the keypad is receiving adequate power (12 Volts).
- **Wiring:** Verify that all wiring is correctly connected according to the installation diagram.

### Wi-Fi Connection Issues

- **Network Frequency:** Confirm your Wi-Fi network is 2.4 GHz. The keypad does not support 5 GHz networks.
- **Signal Strength:** Ensure the keypad is within effective range of your 2.4 GHz Wi-Fi router. Obstacles like thick walls can reduce signal strength.
- **Re-pairing:** If issues persist, re-attempt the app connection process as described in the "Initial Setup and App Connection" section.

### Card or Code Not Unlocking

- **User Registration:** Confirm that the ID card or access code has been correctly added and registered in the system.
- **Temporary Code Expiry:** For temporary codes, check if the effective time has expired in the TUYA App.
- **Electric Lock Functionality:** Ensure the connected electric lock is functioning correctly and receiving the

unlock signal from the keypad.

## PRODUCT SPECIFICATIONS

Feature	Detail
Brand	AMOCAM
Model	B09LLH9SWM
Color	Black
Material	Acrylonitrile Butadiene Styrene (ABS)
Voltage	12 Volts
Product Dimensions (L x W x H)	4.53" x 2.95" x 0.63"
Item Weight	0.16 Kilograms
User Capacity	2000
Wi-Fi Frequency	2.4 GHz
Wiegand Support	Wiegand 26
Operating Temperature	Up to 60 Degrees Celsius

For any additional detailed specifications, please refer to the product packaging or the official AMOCAM website.

## WARRANTY AND CUSTOMER SUPPORT

AMOCAM products typically come with a standard manufacturer's warranty. For specific warranty details, including coverage period and terms, please refer to the documentation included with your product or contact AMOCAM customer support directly.

For technical assistance, troubleshooting guidance, or any further inquiries regarding your Wireless WiFi Access Control Keypad, please visit the official AMOCAM website or contact their dedicated support team. You can also find more information and products by visiting the [AMOCAM Store on Amazon](#).