

Manuals.plus /

› Zinus /

› ZINUS Shalini Upholstered Fabric Bed Frame - Double, Light Gray, Diamond Quilt Instruction Manual

Zinus AJ-FDPB-LG-D

ZINUS Shalini Upholstered Fabric Bed Frame - Double, Light Gray, Diamond Quilt

Model: AJ-FDPB-LG-D

INTRODUCTION

This instruction manual provides detailed guidance for the assembly, safe operation, and maintenance of your ZINUS Shalini Upholstered Fabric Bed Frame. Please read this manual thoroughly before beginning assembly or use to ensure proper setup and to maximize the lifespan of your product. Keep this manual for future reference.

SAFETY INFORMATION

- Always use a mattress with a thickness of 15 cm (6 inches) or more to ensure the longevity and structural integrity of the bed frame.
- Do not use a futon directly on the bed frame. Direct body pressure on the slats may lead to damage.
- Avoid jumping on the bed frame or concentrating weight on a single point, as this can cause damage to the frame.
- Assembly is recommended for two or more adults.
- During assembly, ensure sufficient space and protect the floor with a mat or similar material.
- This product is intended for household furniture use. Do not use it for purposes other than its original intent, as this may lead to unexpected accidents or injuries.

PACKAGE CONTENTS

Before beginning assembly, verify that all parts listed below are present and undamaged. Some screw parts may be pre-installed on the main unit; please check in advance.



Image: All components of the bed frame laid out for assembly, including the headboard, side rails, center support, and

hardware.

Refer to the assembly video for a visual guide to all included parts.

ASSEMBLY INSTRUCTIONS

Estimated assembly time: 30-50 minutes (2 adults recommended). All necessary tools are included.

Step 1: Attach Headboard Legs

Secure the headboard legs to the main headboard panel using the provided bolts and washers. Ensure they are tightly fastened.



Image: A person attaching the headboard legs to the headboard using an Allen wrench, bolts, and washers.

Step 2: Assemble Side Rails

Connect the two sections of each side rail and attach the corner brackets and support legs. Ensure all connections are secure.



Image: A person attaching a corner bracket to a side rail section using bolts and an Allen wrench.

Step 3: Connect Side Rails to Headboard

Align the side rails with the headboard legs and secure them using the provided hardware. Repeat for both sides.



Image: A person securing a side rail to a headboard leg using an Allen wrench.

Step 4: Install Center Support Bar

Assemble the center support bar and attach it to the side rails. This provides crucial stability for the bed frame.



Image: A person fastening the center support bar to the bed frame using an Allen wrench.

Step 5: Place Slats

Unroll the wooden slats and place them evenly across the bed frame. Secure them in place using the provided fasteners. The slats include silent tape for noise reduction.



Image: A person securing a wooden slat to the bed frame with a plastic fastener.

Assembly Video Guide

For a comprehensive visual guide, please watch the official assembly video:

Your browser does not support the video tag.

Video: Detailed assembly instructions for a fabric bed frame, demonstrating each step from unboxing to final setup. This video is provided by YaheetechJP.

OPERATING INSTRUCTIONS

Once assembled, your ZINUS Shalini bed frame is ready for use. Place your mattress (minimum 15cm thickness recommended) directly onto the wooden slats. The design provides robust support and ventilation for your mattress.



Image: A fully assembled ZINUS Shalini bed frame in light gray with a diamond-quilted headboard, complete with a mattress and bedding, ready for use.

The bed frame features 16cm of under-bed storage space, ideal for storing clothes or other items in bins or containers.

Like a Hotel

ベッド下に十分な収納スペースを用意しました。
お洋服や寝具の収納に活用ください。



Image: A ZINUS Shalini bed frame with a mattress and bedding, highlighting the available space underneath the bed for storage.

MAINTENANCE

To keep your bed frame in optimal condition:

- **Cleaning:** Wipe the frame with a dry cloth to remove dust. For fabric parts, use a soft brush or vacuum cleaner to remove dust and debris. Spot clean any stains with a mild fabric cleaner, testing on an inconspicuous area first.
- **Regular Checks:** Periodically check all bolts and connections to ensure they remain tight. Re-tighten if necessary to maintain stability and prevent squeaking.
- **Ventilation:** Ensure adequate air circulation around and under the bed to prevent moisture buildup, especially in humid environments.

TROUBLESHOOTING

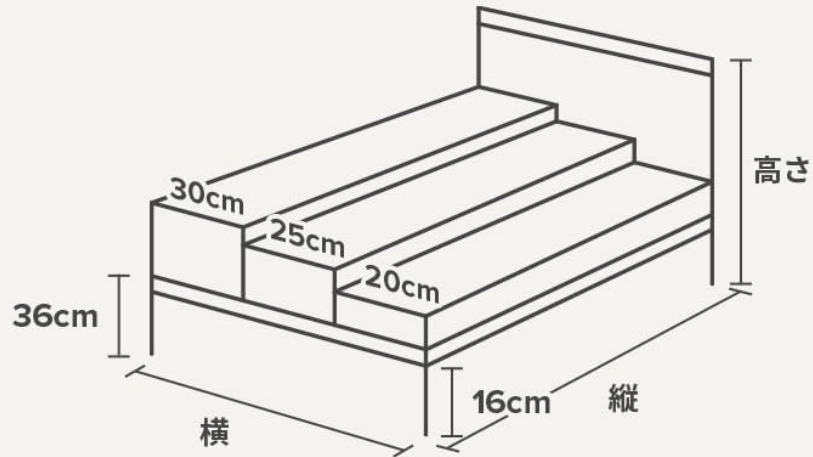
Problem	Possible Cause	Solution
Bed frame is wobbly or squeaks.	Loose bolts or connections.	Check and re-tighten all bolts and screws using the provided Allen wrench. Ensure all parts are correctly aligned.
Slats are moving or making noise.	Slats not properly secured or silent tape worn.	Ensure all slats are correctly seated in their positions and fasteners are tight. The slats are equipped with silent tape to minimize noise.
Missing parts or damaged components upon arrival.	Manufacturing defect or shipping damage.	Contact ZINUS customer support immediately with your purchase details for assistance.

SPECIFICATIONS

Feature	Detail
Model	AJ-FDPB-LG-D
Size	Double
Overall Product Dimensions (L x W x H)	195 cm x 140 cm x 102.7 cm (with headboard)
Bed Frame Dimensions (L x W x H)	195 cm x 140 cm x 35 cm (without headboard)
Under-bed Storage Height	16 cm
Product Weight	36.8 kg
Maximum Recommended Weight Capacity	180 kg
Main Materials	Steel, Plywood, Polyester, High-density Urethane
Slats	Wooden slats with silent tape
Color	Light Gray
Style	Diamond Quilt Upholstered

Shalini

ファブリックベッドフレーム



(許容誤差±2cm)

規格	シングル	108.5 X 206.5 X 99.5(cm)
	セミダブル	129 X 206.5 X 99.5(cm)
	ダブル	147 X 206.5 X 102.7(cm)

Image: A diagram illustrating the dimensions of the Shalini Fabric Bed Frame for Single, Semi-Double, and Double sizes, including height, width, and length measurements.

WARRANTY INFORMATION

ZINUS provides a **5-year manufacturer's warranty** for this product. This warranty covers manufacturing defects for both mattresses and frames, ensuring peace of mind for our customers. Please retain your proof of purchase for warranty claims.



**ZINUSは
5年間のメーカー保証をお付けします。**

お客様が安心してお使いいただけるように、
マットレスとフレームの商品に関して
製品不良への5年間の無償保証期間を設けています。

Image: A green circular badge indicating "WARRANTY 5 YEAR QUALITY ASSURANCE" with the ZINUS logo.

CUSTOMER SUPPORT

If you have any questions, require assistance with assembly, or need to report missing/damaged parts, please contact ZINUS customer support. For the most up-to-date contact information, please visit the official ZINUS website or refer to your purchase documentation.

Online resources and FAQs may also be available on the ZINUS brand store page [ZINUS Brand Store](#)