

Ulifestar 1301SI

ULIFESTAR Stainless Steel Ceiling Mount Rod Holder Instruction Manual

Model: 1301SI | Size: 72x26x350mm

1. PRODUCT OVERVIEW

The ULIFESTAR Stainless Steel Ceiling Mount Rod Holder is designed to provide robust support for various types of rods, including wardrobe, shower, and curtain rods. Constructed from high-quality stainless steel, this bracket offers durability, strong load-bearing capacity, and resistance to rust and corrosion.

Key Features:

- **Material:** Premium quality durable stainless steel with a bright, smooth surface.
- **Strength:** Strong load-bearing capacity, sturdy, and designed for long-term use.
- **Corrosion Resistance:** Not prone to rust or corrosion.
- **Construction:** Precision integrated welding with a side screw for secure rod fixation.
- **Versatility:** Suitable for hanging rods in various settings such as kitchens, bathrooms, living rooms, balconies, and wardrobes.

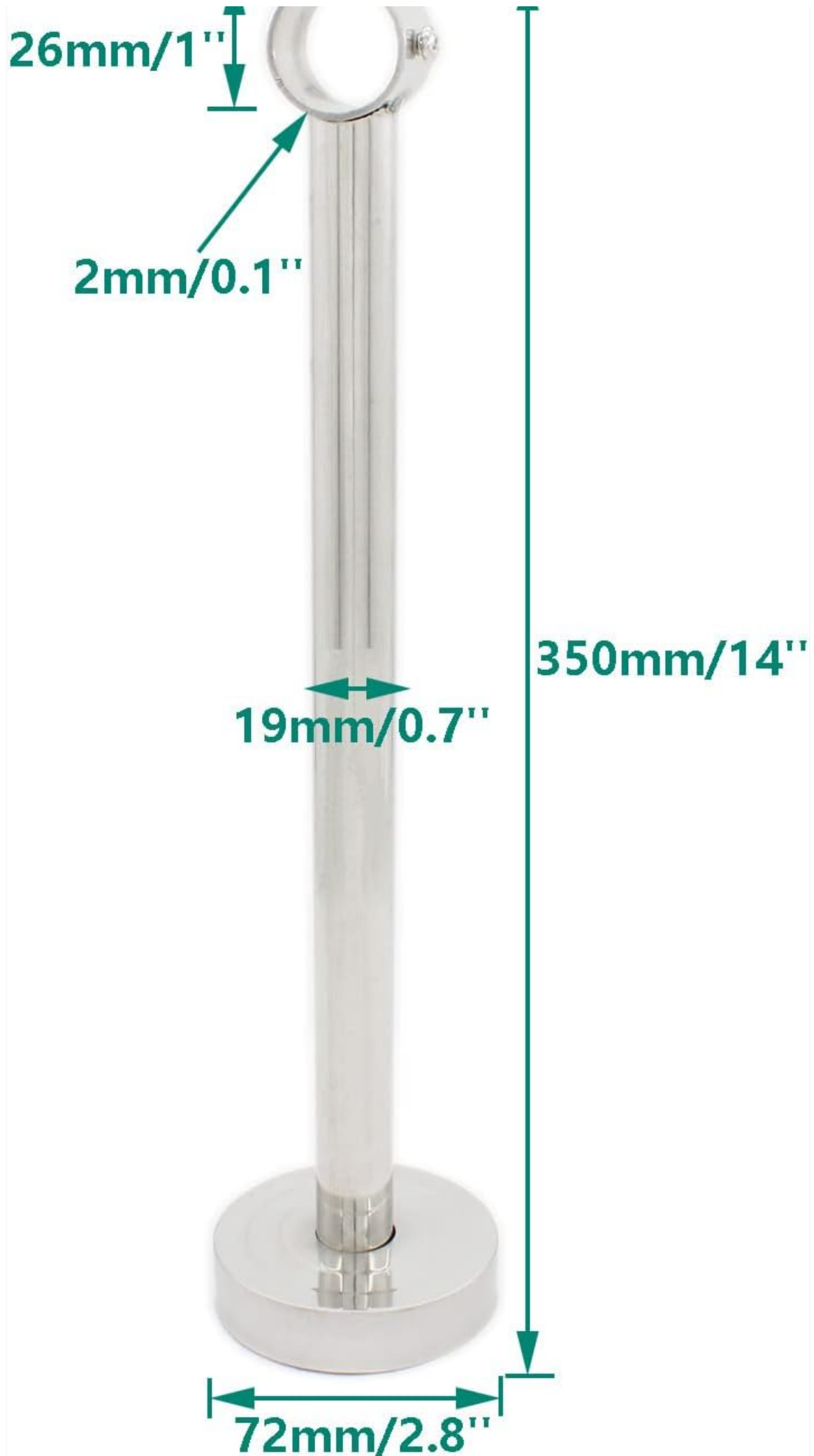
Package Contents:

- 2 x Ceiling Mount Rod Holders
- 4 x Expansion Bolts
- 2 x Positioning Screws
- 2 x Plastic Rod Caps



Image 1.1: Overview of the ULIFESTAR Ceiling Mount Rod Holders and included hardware.





Screw Hole Distance 52mm/2"

Image 1.2: Detailed dimensions of the rod holder.

2. SETUP AND INSTALLATION

Follow these steps for proper installation of your ULIFESTAR Ceiling Mount Rod Holders. Ensure you have the necessary tools, including a drill, marker, and screwdriver.

1. **Mark Installation Position:** Determine the desired location for the rod holders. Use a marker to precisely mark the screw hole positions on the ceiling or mounting surface.
2. **Drill Holes:** Drill holes at the marked positions. For concrete or masonry, use a drill bit appropriate for the expansion bolts. For wood, ensure the drill bit size is suitable for self-tapping screws (not provided).
3. **Insert Expansion Bolts:** For concrete/masonry, insert the expansion bolts into the drilled holes. Gently screw them in until secure. For wood installations, use appropriate self-tapping screws (not included) directly into the pre-drilled holes.
4. **Mount the Bracket:** Align the base of the rod holder with the installed expansion bolts or screws. Tighten the screws to secure the bracket firmly to the ceiling.
5. **Insert Rod:** Place the rod you intend to support into the circular opening of one rod holder. Then, guide the other end of the rod into the second rod holder.
6. **Secure the Rod:** Use the small positioning screw on the side of the rod holder's circular opening to tighten and fix the rod in place, preventing it from shaking or dislodging.

Note: For installation on wood surfaces, you will need to provide your own self-tapping screws as they are not included in the package. Always ensure the mounting surface is strong enough to support the weight of the rod and any items hung on it.



1. Mark installation position



2. Drive the expansion screw into the pre-drilled



3. Tighten the screw



4. Put into the steel pipe and tighten the screws to fix it

Image 2.1: Visual guide for the installation process.

Expansion Screw Installation

Strong Bearing Load



Image 2.2: Detail of the expansion screw for secure mounting.

3. OPERATING INSTRUCTIONS

Once installed, the ULIFESTAR Ceiling Mount Rod Holder functions as a stable support for various rods. Its primary operation involves securely holding a rod in place for hanging items.

- Ensure the rod is properly seated within the holder's ring and the side screw is tightened to prevent movement.
- Distribute weight evenly along the supported rod to maximize stability and prevent undue stress on the brackets.
- The brackets are designed for static loads. Avoid excessive swinging or dynamic forces on the rod.



Image 3.1: The rod holder in use, supporting a rod.

4. MAINTENANCE

The stainless steel construction of the ULIFESTAR rod holders requires minimal maintenance to retain their appearance and functionality.

- **Cleaning:** Wipe the brackets periodically with a soft, damp cloth to remove dust and grime. For stubborn marks, a mild soap solution can be used, followed by rinsing with clean water and drying thoroughly.
- **Avoid Harsh Chemicals:** Do not use abrasive cleaners, steel wool, or harsh chemical detergents, as these can scratch the surface or damage the stainless steel finish.
- **Inspection:** Periodically check the tightness of all screws and bolts. Re-tighten if any looseness is detected to ensure continued stability and safety.

5. TROUBLESHOOTING

If you encounter issues during or after installation, consider the following common solutions:

- **Bracket feels loose after installation:**
 - Ensure the expansion bolts (for concrete/masonry) are fully engaged and tightened.
 - If installing into wood, verify that appropriate self-tapping screws were used and are securely fastened into a solid wood stud or blocking. Drywall anchors may be insufficient for heavy loads.
 - Check that the base of the bracket is flush against the mounting surface.
- **Rod is not secure in the holder:**
 - Confirm that the side positioning screw on the rod holder's ring is fully tightened against the rod.
 - Ensure the rod diameter is compatible with the holder's opening (26mm / 1 inch).
- **Difficulty with included expansion bolts:**
 - Always pre-drill holes of the correct diameter for the expansion bolts. Attempting to hammer them into an undersized hole can damage the bolt or the mounting surface.
 - The expansion bolts are designed for concrete or masonry. For drywall, specialized drywall anchors

(not included) or mounting into a wall stud is recommended.

6. SPECIFICATIONS

Attribute	Detail
Manufacturer	ULIFESTAR
Part Number	1301SI
Item Weight	14.4 ounces (approx. 408 grams)
Product Dimensions (L x W x H)	2.83 x 1.02 x 13.78 inches (72 x 26 x 350mm)
Size	72x26x350mm / 2.8x1x14 inches
Color	Silver
Material	Stainless Steel
Shape	Cylinder
Mounting Type	Ceiling Mounted
Batteries Included?	No
Batteries Required?	No

7. WARRANTY AND SUPPORT

Specific warranty details for this product are not provided in the available information. For any questions regarding product warranty, defects, or installation assistance, please contact ULIFESTAR customer support directly.

You can typically find contact information for ULIFESTAR through their official website or the retailer from whom the product was purchased.