

FLEXISPOT EG1

FLEXISPOT EG1 Electric Standing Desk User Manual

Model: EG1

1. INTRODUCTION

Thank you for choosing the FLEXISPOT EG1 Electric Standing Desk. This manual provides essential information for the safe and efficient assembly, operation, and maintenance of your new height-adjustable desk. The EG1 desk is designed to promote a healthier work environment by allowing seamless transitions between sitting and standing positions, enhancing focus and comfort throughout your workday.

The FLEXISPOT EG1 features a wide height adjustment range, a smooth one-piece desktop, and an intuitive control panel for ease of use. Please read this manual thoroughly before assembly and operation to ensure proper functionality and longevity of your product.

2. SAFETY INFORMATION

- Ensure all components are present and undamaged before assembly. Do not use if any parts are missing or damaged.
- Keep children and pets away from the desk during operation to prevent injury.
- Do not place hands or other objects near moving parts (e.g., lifting columns) during height adjustment.
- Ensure the desk is placed on a level surface to maintain stability.
- Do not overload the desk. Refer to the specifications for maximum weight capacity.
- Only use the provided power adapter and cables.
- Disconnect power before cleaning or maintenance.
- Avoid spilling liquids on the control panel or electrical components.
- This desk is equipped with an anti-collision rebound function. However, always be aware of surroundings during movement.

3. PACKAGE CONTENTS

The FLEXISPOT EG1 Electric Standing Desk is shipped in two separate packages to ensure better protection

during transit. Please verify that all components listed below are present before beginning assembly.

- Desktop (1 piece)
- Desk Frame (includes legs, motor, control box)
- Control Panel
- Power Adapter and Cable
- Assembly Hardware (screws, bolts, tools)
- Instruction Manual

SHIPS IN 2 SEPARATE PACKAGES

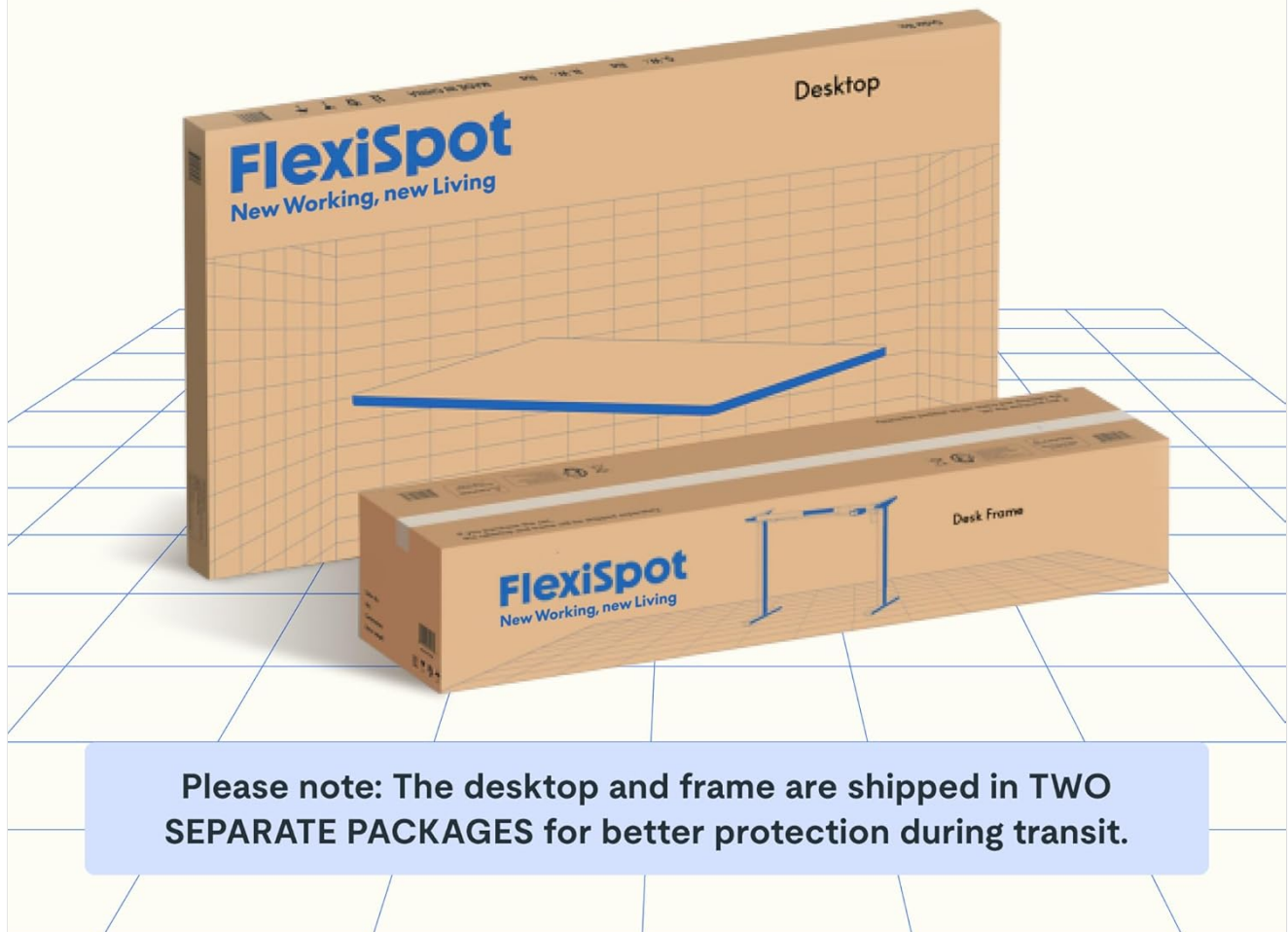


Image: The FlexiSpot EG1 desk components are shipped in two distinct packages: one containing the desktop and another for the desk frame, ensuring secure delivery.

4. SETUP AND ASSEMBLY

Assembly of the FLEXISPOT EG1 desk is designed to be straightforward with pre-drilled holes and a complete set of tools included. Follow these general steps for assembly:

1. **Unpack Components:** Carefully remove all parts from the packaging and lay them out on a clean, soft surface to

prevent scratches.

2. **Assemble Desk Frame:** Attach the lifting columns to the crossbar, ensuring all screws are securely tightened.
3. **Attach Feet:** Secure the foot pads to the bottom of the lifting columns. The anti-slip foot pads provide stability and protect your floor.
4. **Mount Desktop:** Carefully place the desktop upside down on a soft surface. Align the assembled desk frame with the pre-drilled holes on the desktop and secure it with the provided screws.
5. **Install Control Panel:** Attach the control panel to the underside of the desktop in a convenient location.
6. **Connect Cables:** Connect the motor cables, control panel cable, and power adapter to the control box. Ensure all connections are firm.
7. **Cable Management:** Use cable ties or clips (if provided) to organize and secure cables, preventing them from snagging during height adjustments.
8. **Position Desk:** Carefully flip the desk upright and place it in its desired location. Ensure there is adequate clearance for height adjustments.

ONE-PIECE DESKTOP, SEAMLESS STYLE

One Clean Surface, Beautifully Simple



Flexispot



Smooth, Single-Piece
Desktop

VS

Other



Uneven Spliced
Desktop

Image: The desk features a smooth, one-piece desktop, eliminating gaps and burrs often found in spliced desktops, contributing to a clean and stable work surface.

5. OPERATING INSTRUCTIONS

The FLEXISPOT EG1 Electric Standing Desk is operated using a simple 2-button control panel, allowing for quick and easy height adjustments and memory presets.

5.1 Control Panel Functions

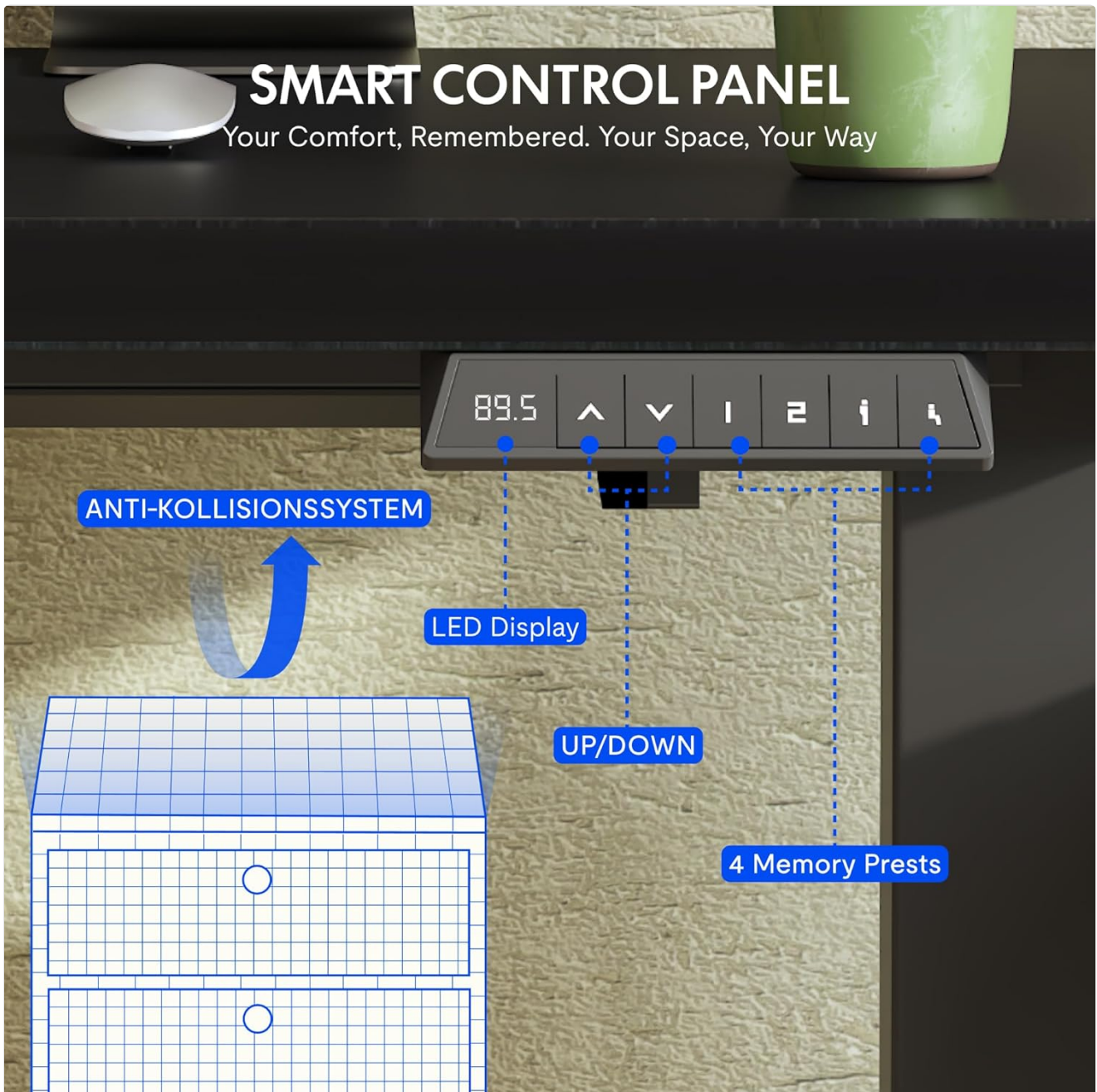


Image: The smart control panel features an LED display, up/down buttons for height adjustment, and four memory preset buttons for saving preferred desk heights.

- **LED Display:** Shows the current desk height in centimeters or inches.
- **Up/Down Buttons (▲ / ▼):** Press and hold to move the desk up or down. Release the button to stop at the desired height.
- **Memory Presets (1, 2, 3, 4):** These buttons allow you to save and recall up to four preferred desk heights.

5.2 Setting Memory Presets

1. Adjust the desk to your desired height using the Up/Down buttons.
2. Press the 'M' or 'SET' button (if available, otherwise proceed to step 3). The display may flash.

3. Press one of the numbered memory buttons (1, 2, 3, or 4) within a few seconds. The display will confirm the setting.
4. To recall a saved height, simply press the corresponding numbered memory button. The desk will automatically move to that height.

5.3 Anti-Collision Feature

The desk is equipped with an anti-collision system. If the desk encounters an obstacle during height adjustment, it will automatically stop and reverse slightly to prevent damage. Always ensure the area around the desk is clear during operation.



Image: The desk offers a wide height range (71.5 to 116 cm), accommodating various users for comfortable sitting or standing positions.

6. MAINTENANCE

Regular maintenance ensures the longevity and optimal performance of your FLEXISPOT EG1 Electric Standing Desk.

- **Cleaning:** Wipe the desktop and frame with a soft, damp cloth. Avoid abrasive cleaners or harsh chemicals that

could damage the finish. Ensure the desk is unplugged before cleaning.

- **Cable Management:** Periodically check cables for wear or damage. Ensure they are neatly organized and not pinched or tangled.
- **Fastener Check:** Occasionally check all screws and bolts to ensure they are tight. Retighten if necessary.
- **Movement Check:** Operate the desk through its full height range periodically to ensure smooth and consistent movement.

7. TROUBLESHOOTING

If you encounter issues with your FLEXISPOT EG1 desk, refer to the following troubleshooting guide:

Problem	Possible Cause	Solution
Desk does not move.	Power cable disconnected, control box error, motor issue.	Check power connections. Unplug and replug the desk for 10 seconds to reset. If problem persists, contact customer support.
Desk moves unevenly or makes unusual noise.	Uneven load, loose fasteners, obstruction.	Ensure weight is evenly distributed. Check and tighten all assembly fasteners. Clear any obstructions.
Desk stops during adjustment.	Anti-collision activated, overload.	Remove any obstacles. Reduce weight on the desk if it exceeds maximum capacity.
Memory presets not working.	Presets not properly saved.	Re-save the memory presets following the instructions in Section 5.2.

8. SPECIFICATIONS

Key specifications for the FLEXISPOT EG1 Electric Standing Desk:

DESK DIMENSIONS

Height Adjustment Range:

71.5-116 cm

Maximum Load Capacity:

80kg

Maximum Speed:

15mm/s

Low Noise Level:

<50dB

Anti-collision Rebound Function

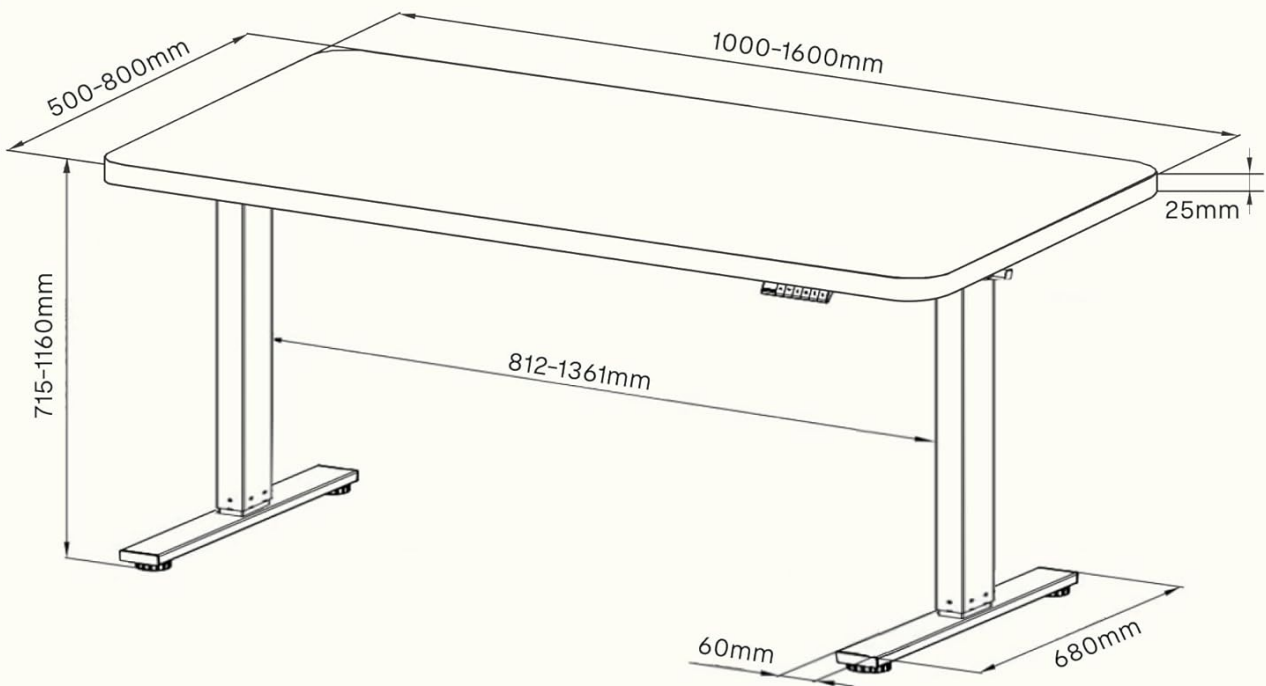


Image: Detailed diagram illustrating the desk's dimensions, height adjustment range (71.5-116 cm), maximum load capacity (80kg), maximum speed (15mm/s), and low noise level (<50dB).

Feature	Specification
Model Number	EG1B+TP1608-Black
Height Adjustment Range	71.5 - 116 cm (28 - 48 inches)
Maximum Load Capacity	80 kg (176 lbs)
Maximum Speed	15 mm/s
Low Noise Level	< 50 dB
Desktop Material	Wood (2.5 cm thickness)
Frame Material	Steel
Product Dimensions (D x W x H)	31.5" x 62.99" x 11.02" (packaged)

Feature	Specification
Item Weight	30 Kilograms
Special Features	Electric, Anti-collision Rebound Function, 4 Memory Presets

9. WARRANTY AND SUPPORT

FLEXISPOT is committed to providing high-quality ergonomic solutions. With over 20 years of experience, our products undergo rigorous testing and meet various European certifications (IGR, CE, TÜV).

For warranty information, technical support, or any questions regarding your FLEXISPOT EG1 Electric Standing Desk, please visit the official FLEXISPOT website or contact our customer service department. You can find more information and contact details on the [FLEXISPOT Store on Amazon](#).