

## WOODBIDGE SBR6032-1000R-BN

# WOODBIDGE SBR6032-1000R-BN Shower Base Instruction Manual

Model: SBR6032-1000R-BN

## INTRODUCTION

---

This manual provides detailed instructions for the installation, operation, and maintenance of your WOODBRIDGE Solid Surface Shower Base, Model SBR6032-1000R-BN. This shower base features a recessed trench side with a stainless steel linear drain cover, measuring 60 inches in length, 32 inches in width, and 4 inches in height, with a right-side drain. Please read all instructions carefully before beginning installation to ensure proper function and longevity of the product.

## SAFETY INFORMATION

---

- Always wear appropriate personal protective equipment (PPE) during installation, including safety glasses and gloves.
- Ensure the installation area is clean, dry, and free from obstructions.
- Verify that the floor structure can support the weight of the shower base and user.
- Follow all local plumbing and building codes. If unsure, consult a qualified professional.
- Do not use harsh chemicals or abrasive cleaners on the shower base, as this may damage the surface.

## PACKAGE CONTENTS

---

Upon unpacking, please verify that all components are present and undamaged:

- WOODBRIDGE Solid Surface Shower Base (60"L x 32"W x 4"H, Right Drain)
- Brushed Stainless Steel Trench Drain Cover
- Standard White PVC Drain
- User and Instruction Manual

The shower base is transported in a firm carton box to ensure safe delivery.

## SPECIFICATIONS

---

Attribute	Detail
Model Number	SBR6032-1000R-BN
Dimensions (L x W x H)	60" x 32" x 4"
Drain Location	Right
Material	Solid Surface
Finish Type	Brushed (for drain cover)
Color	White with Brushed Nickel Cover
Installation Type	Glue Up
Certifications	US and Canada UPC and CSA certified

The shower base features an integral 3-sided tiling/water retention flange for simplified installation.

## SETUP AND INSTALLATION

Proper installation is crucial for the performance and longevity of your shower base. This product is designed for a 'Glue Up' installation type. Refer to the included technical drawings and follow these general steps. For detailed visual guidance, please refer to the installation videos provided.

### Pre-Installation Steps:

- Inspect the Product:** Before installation, carefully inspect the shower base for any damage. Do not install a damaged product.
- Prepare the Area:** Ensure the subfloor is level, clean, and structurally sound. The area where the shower base will be installed must be properly waterproofed according to local building codes.
- Rough-in Plumbing:** Confirm that the drain rough-in is correctly positioned for the right-side drain of this model.

### Installation Procedure:

- Dry Fit:** Place the shower base in its intended position without adhesive to ensure proper fit and alignment with the drain and surrounding walls.
- Apply Adhesive:** Apply a suitable adhesive (compatible with solid surface materials and your subfloor) to the subfloor according to the adhesive manufacturer's instructions.
- Set the Base:** Carefully set the shower base into the adhesive, ensuring it is level in all directions. Apply pressure evenly across the base to ensure good adhesion.
- Connect the Drain:** Install the provided standard white PVC drain to the plumbing system, ensuring a watertight seal.
- Seal Flanges:** The integral 3-sided tiling/water retention flange should be sealed to the wall studs or backer board using appropriate waterproofing methods before tiling.
- Install Drain Cover:** Once the base is securely installed and plumbing is complete, place the brushed stainless steel trench drain cover into the recessed channel.

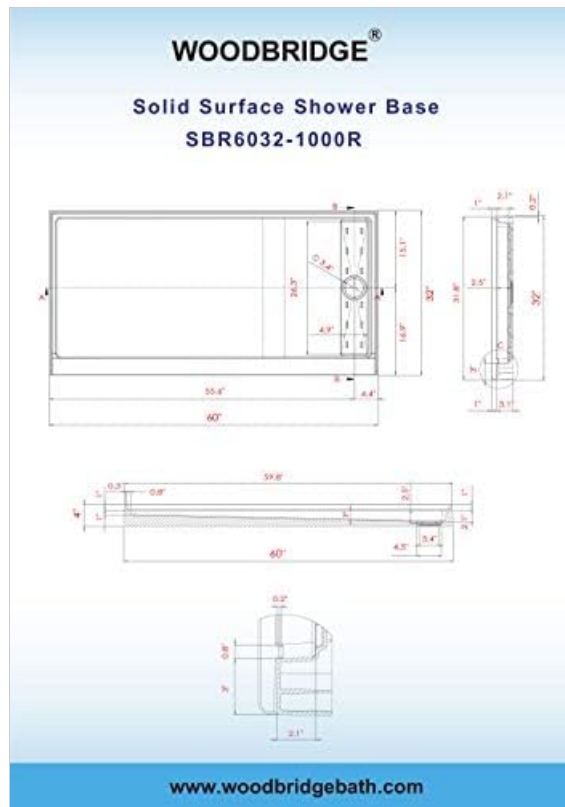
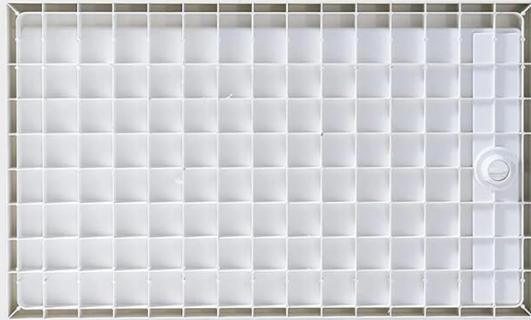


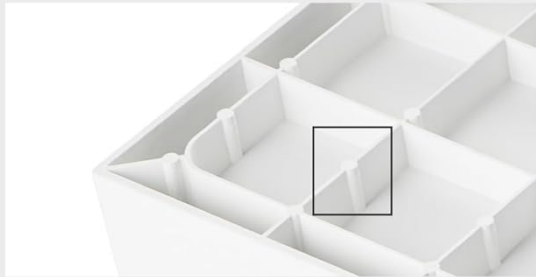
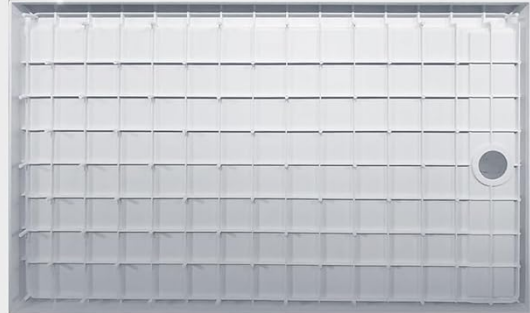
Figure 1: Technical drawing of the SBR6032-1000R shower base, showing dimensions and drain placement.

# NEW AND OLD VERSIONS RANDOMLY SHIPPED

**OLD**



**NEW**



Add protruding support design

**It does not affect usage**

Figure 2: Underside view of the shower base, illustrating the sturdy grid support design for enhanced load-bearing capacity.

Your browser does not support the video tag.

Video 1: An overview of the WOODBRIDGE Rectangle Shower Base with Right Drain, demonstrating its features and appearance.

Your browser does not support the video tag.

Video 2: A demonstration of the ease of installation for the WOODBRIDGE shower base, highlighting key steps.

## OPERATING INSTRUCTIONS

The WOODBRIDGE shower base is designed for immediate use after proper installation and curing of adhesives/sealants. Its primary function is to provide a durable, waterproof, and safe showering surface.

### Key Features for Operation:

- **Non-Slip Surface:** The shower base features a slip-resistant textured floor to enhance safety during use.
- **Efficient Drainage:** The recessed linear drain with its brushed stainless steel cover ensures quick and effective water removal.



Figure 3: Detailed view of the slip-resistant textured floor, designed to prevent accidental slips.

## MAINTENANCE

Maintaining your WOODBRIDGE shower base is simple due to its solid surface material and design. Regular cleaning will preserve its appearance and hygiene.

### Cleaning Instructions:

- **Routine Cleaning:** Clean the shower base regularly with a soft cloth or sponge and a mild, non-abrasive bathroom cleaner. Rinse thoroughly with water after cleaning.
- **Avoid Harsh Chemicals:** Do not use abrasive powders, scouring pads, or cleaners containing ammonia, bleach, or strong acids, as these can damage the solid surface finish.
- **Drain Maintenance:** Periodically remove the brushed stainless steel drain cover and clean any accumulated debris from the PVC drain to ensure optimal water flow.

### Repair and Restoration:

The solid surface material offers excellent durability. In the event of minor chips or scratches, the product can be sanded down to restore its original look and quality. For significant damage, professional repair may be required.

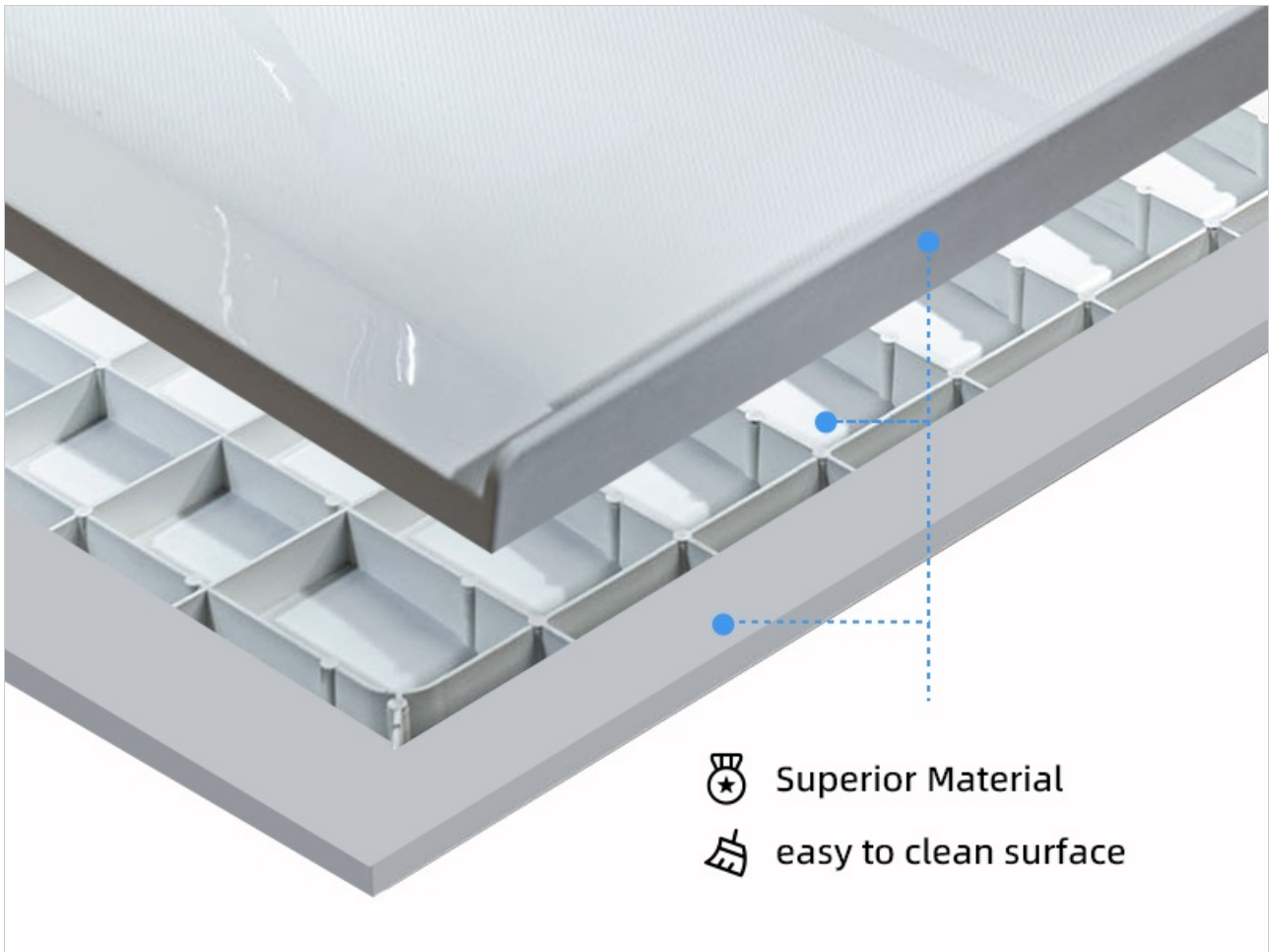


Figure 4: Illustration emphasizing the superior, non-porous solid surface material that is easy to clean and maintain.

## TROUBLESHOOTING

This section addresses common issues you might encounter with your shower base.

Problem	Possible Cause	Solution
Slow Drainage	Debris in drain, improper slope	Remove drain cover and clear debris. Ensure proper installation and leveling during setup.
Water Leaks	Improper sealing of drain or flanges	Check all plumbing connections and sealant around the drain and integral flanges. Reapply sealant if necessary.
Surface Stains	Hard water deposits, residue from products	Clean with a mild, non-abrasive cleaner. For stubborn stains, consult a solid surface cleaning guide or contact support.

## WARRANTY AND SUPPORT

WOODBIDGE products are manufactured to high-quality standards and are backed by a comprehensive warranty.

- **Warranty:** This product comes with a 10-year limited warranty, covering material defects.
- **Certifications:** The shower base is US and Canada UPC and CSA certified, ensuring compliance with safety and quality standards.
- **Customer Support:** For any sales or product-oriented queries, our US-based product support team is available to assist you. Please refer to the contact information provided on our official website or product packaging for assistance.

