



Manuals.plus /

- › Dir /
- › Dir Serenity Electric Medical Spa Treatment Table User Manual

Dir 8808

Dir Serenity Electric Medical Spa Treatment Table User Manual

Model: 8808

[Instructions](#) [Introduction](#) [Maintenance](#) [Safety Instructions](#) [Troubleshooting](#) [Setup](#) [Specifications](#) [Operating](#) [Warranty & Support](#)

1. INTRODUCTION

This manual provides essential information for the safe and effective use of your Dir Serenity Electric Medical Spa Treatment Table, Model 8808. This versatile electric treatment table is designed for various professional settings, including salons, spas, tattoo parlors, medical spas, and medical offices. It features electro-hydraulic motors for height and backrest adjustments, ensuring both client comfort and operational ease.



Figure 1: Dir Serenity Electric Medical Spa Treatment Table (White)

2. SAFETY INSTRUCTIONS

Please read and understand all safety instructions before operating the Serenity Electric Treatment Table. Failure to follow these instructions may result in injury or damage to the product.

- **Power Supply:** Connect the table only to a grounded 110V power outlet. Do not use extension cords or adapters unless absolutely necessary and ensure they are rated for the required power.
- **Placement:** Position the table on a stable, level surface. Ensure adequate clearance around the table for safe operation and client access.
- **Weight Capacity:** Do not exceed the maximum weight capacity of 400 lbs (181 kg).
- **Supervision:** Do not leave clients unattended on the table, especially during adjustments.
- **Moving Parts:** Keep hands, hair, and clothing clear of all moving parts during operation.
- **Cleaning:** Disconnect power before cleaning. Use only recommended cleaning agents and methods.
- **Maintenance:** Do not attempt to service the internal components. Refer all servicing to qualified personnel.
- **Children and Pets:** Keep children and pets away from the table, especially during operation.

3. SETUP

The Dir Serenity Electric Medical Spa Treatment Table is delivered fully assembled, requiring minimal setup before use.

1. **Unpacking:** Carefully remove the table from its packaging. Retain packaging for future transport or storage if needed.
2. **Positioning:** Place the table in its desired location, ensuring it is on a stable, level floor.
3. **Power Connection:** Plug the power cord into a grounded 110V electrical outlet.
4. **Adjusting Feet:** If the floor is uneven, adjust the bottom pads on the corners of the table base to ensure stability and level positioning.
5. **Headrest Options:** The table comes with a headrest featuring a breathing hole option, an added height pillow option, or a flat surfaced option. Choose the appropriate configuration for your client's comfort.



Figure 2: Table with headrest options and general view.

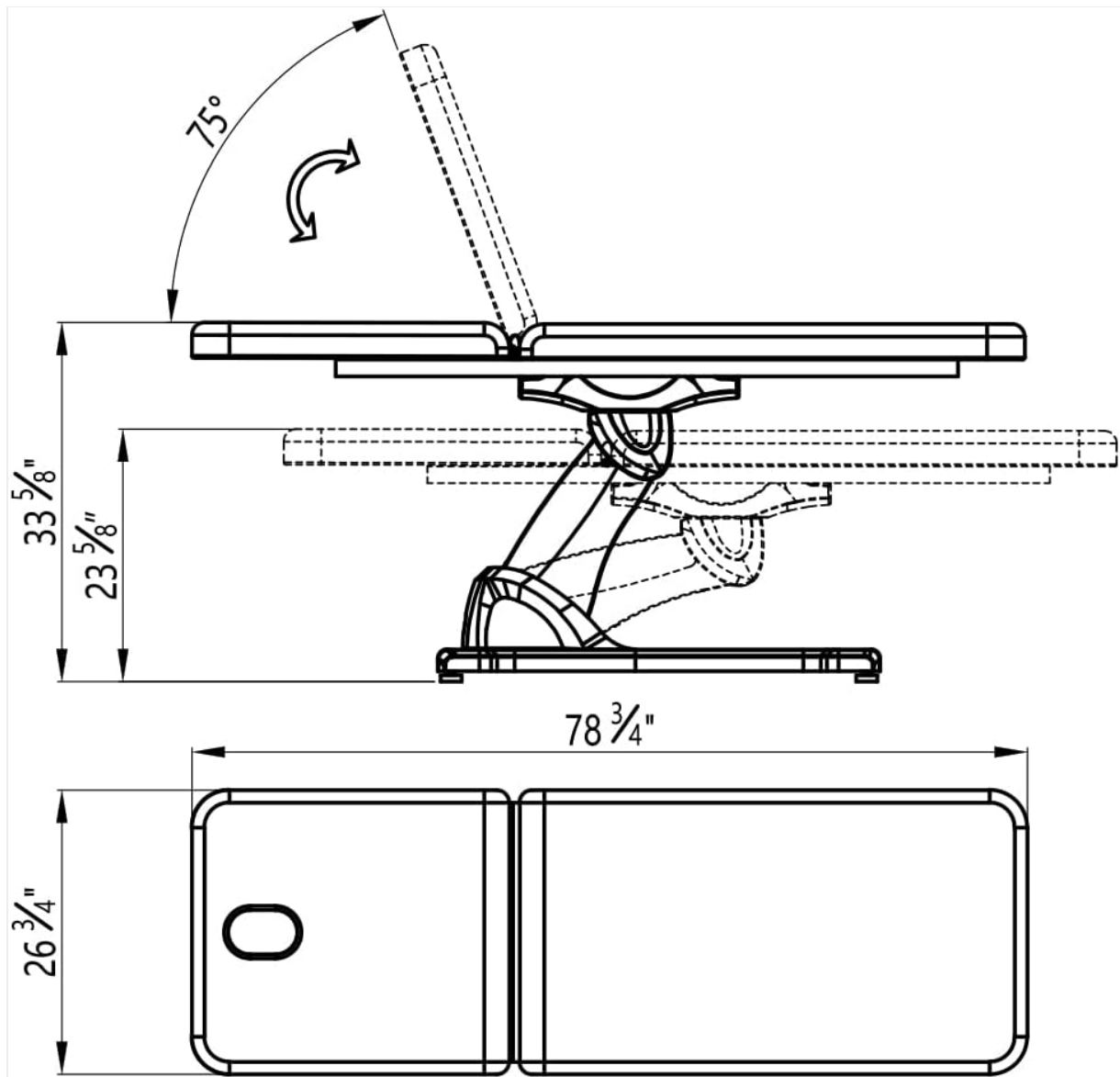


Figure 3: Dimensions of the Serenity Treatment Table.

4. OPERATING INSTRUCTIONS

The Serenity Electric Treatment Table is operated using a hand-held remote control, which controls the two electro-hydraulic motors for height and backrest adjustments.

4.1 Remote Control Functions



Figure 4: Hand-held remote control.

- **Height Adjustment:** Use the up and down arrows (usually labeled with a full bed icon) to raise or lower the entire table.
- **Backrest Adjustment:** Use the up and down arrows (usually labeled with a reclining backrest icon) to adjust the angle of the backrest.
- **Footrest Adjustment:** (If applicable, based on remote image) Use the up and down arrows (usually labeled with a footrest icon) to adjust the angle of the footrest.
- **Preset Positions:** The remote may include preset buttons (e.g., P1, P2) for quick adjustment to commonly used positions. Refer to the remote's specific markings for details.

Always ensure the client is safely positioned before making any adjustments. Operate the remote smoothly to avoid sudden movements.

4.2 Headrest and Towel Holder

- The headrest can be configured with a breathing hole, a removable pillow for added height, or a flat surface.
- A towel holder is integrated for convenience.



Figure 5: Integrated towel holder.

4.3 Product Demonstration Video

Your browser does not support the video tag.

Video 1: A demonstration of the Dir Serenity Electric Medical Spa Treatment Table's features and adjustments.

5. MAINTENANCE

Proper maintenance ensures the longevity and optimal performance of your treatment table.

- **Cleaning Faux Leather:** Regularly wipe down the high-grade faux leather upholstery with a soft, damp cloth and mild, non-abrasive cleaner. Avoid harsh chemicals that can damage the material.
- **Cleaning Steel Frame:** Clean the steel frame structure with a damp cloth. Dry thoroughly to prevent rust.
- **Motor Care:** The electro-hydraulic motors are designed for durability. Keep the motor areas free from dust and debris. Do not lubricate or attempt to open the motor housing.
- **Cord Inspection:** Periodically inspect the power cord and remote control cable for any signs of damage. If damaged, discontinue use and contact support.

6. TROUBLESHOOTING

If you encounter issues with your Serenity Electric Treatment Table, refer to the following common troubleshooting steps:

Problem	Possible Cause	Solution
Table does not respond to remote control.	No power supply. Remote control cable disconnected or damaged.	Check if the power cord is securely plugged into a live 110V outlet. Ensure the remote control cable is firmly connected to the table. If damaged, contact support.
Motor sounds but table does not move.	Overload or obstruction.	Ensure the weight on the table does not exceed 400 lbs. Check for any obstructions preventing movement. Remove them carefully.
Uneven table surface.	Uneven floor.	Adjust the leveling feet on the bottom corners of the table base until the table is stable and level.

If the problem persists after attempting these steps, please contact Dir customer support.

7. SPECIFICATIONS

Feature	Detail
Model Number	8808
Material	Alloy Steel, Engineered Wood, Faux Leather
Item Weight	250 pounds (113.4 kg)
Product Dimensions (L x W x H)	78.75 x 26.75 x 23.5 inches (199.9 x 67.9 x 59.7 cm)
Weight Capacity	400 lbs (181 kg)
Power Requirement	110V
Motors	Duo electro-hydraulic (for height and backrest)
Assembly	Fully assembled out of the box

8. WARRANTY & SUPPORT

The Dir Serenity Electric Medical Spa Treatment Table comes with a **One Year Warranty** from the date of purchase. This warranty covers manufacturing defects and malfunctions under normal use.

For warranty claims, technical assistance, or any questions regarding your product, please contact Dir customer support through the official Dir website or your point of purchase. Please have your model number (8808) and proof of purchase available when contacting support.