

Manuals+

[Q & A](#) | [Deep Search](#) | [Upload](#)

Manuals.plus /

- › [Radlove](#) /
- › Radlove Electric Standing Desk Instruction Manual

Radlove SD-RB-140-HD

Radlove Electric Standing Desk Instruction Manual

Model: SD-RB-140-HD

Brand: Radlove

INTRODUCTION

This manual provides comprehensive instructions for the assembly, operation, and maintenance of your Radlove Electric Standing Desk. Designed for ergonomic comfort and productivity, this height-adjustable desk allows for seamless transitions between sitting and standing positions, promoting a healthier work environment. Please read all instructions carefully before assembly and use.



Figure 1: Radlove Electric Standing Desk (Rustic Brown, 55x30")

The Radlove Electric Standing Desk features a rustic brown finish and a spacious 55x30 inch desktop, providing ample space for multiple monitors and accessories. Its electric height adjustment mechanism ensures smooth and quiet transitions between sitting and standing positions.

SAFETY INFORMATION

- Ensure all components are securely fastened before use.
- Keep children and pets away from the desk during operation.
- Do not overload the desk; maximum weight capacity is 176 lbs.
- Avoid placing liquids directly on the control panel or motor.
- The desk is equipped with anti-collision technology. If an obstruction is detected, the desk will automatically stop and retract slightly.
- In case of error codes, refer to the troubleshooting section for reset procedures.

PACKAGE CONTENTS

Before beginning assembly, verify that all parts listed below are present and undamaged. The tabletop is designed in 4 pieces for shipment and easy assembly.



WHAT'S IN THE PACKAGE ?



Please note the tabletop is designed into 4 pieces for shipment, they are easy to assembled and very sturdy & durable.



Figure 2: All components included in the package for assembly.

The package includes the multi-piece desktop, leg frames, motor, control panel, cable management tray, and all necessary hardware and tools for assembly.

SETUP

Follow these step-by-step instructions for proper assembly of your electric standing desk. It is recommended to have two people for assembly.

1. Assemble the Desktop

1. Align the two main desktop pieces and insert the wooden dowels (J) into the pre-drilled holes.
2. Carefully press the desktop pieces together to ensure a snug fit.
3. Secure the desktop pieces using the provided hinges (G) and screws. Ensure the hinges are properly aligned before

tightening.

Your browser does not support the video tag.

Video 1: Assembly instructions for the Radlove Electric Standing Desk. This video demonstrates the full assembly process, including desktop and frame construction.



How to connect the desktop and base correctly?

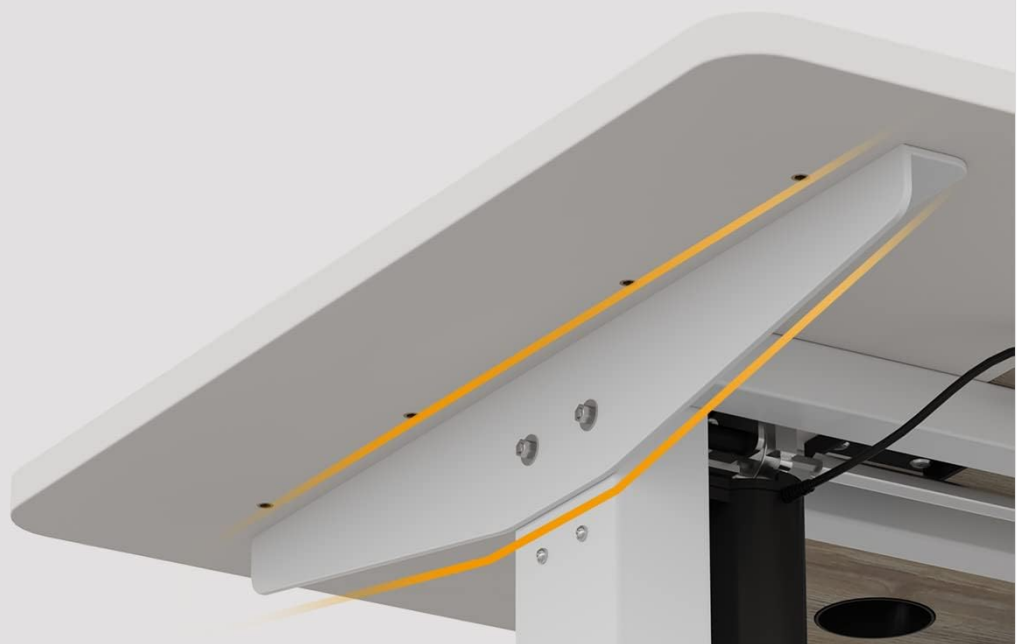


Figure 3: Proper alignment of desktop and base components is crucial for stability.

2. Assemble the Frame

1. Attach the motor to one of the leg columns. Ensure the motor's hole aligns with the corresponding hole on the bracket.
2. Connect the support beams to the leg columns. The middle hole of the support beam should face inward.
3. Secure all connections with screws (H). Verify alignment after installation.
4. Insert the sync rod (accessory No. 8) into the hole of leg No. 4. The other end connects to the metal rod of leg No. 3. If the sync rod cannot be connected, check if the small black screws on the accessory are facing upwards. If not, turn the sync rod until they face upwards and loosen the screws if necessary.

3. Attach Desktop to Frame

1. Carefully place the assembled desktop onto the frame, aligning the pre-drilled holes on the desktop with the mounting points on the frame.

2. Secure the desktop to the frame using the remaining screws (G). Ensure all screws are in place before fully tightening to allow for minor adjustments.
3. Install the cable management tray and control panel underneath the desktop, securing them with screws.
4. Attach the headphone hook (if purchased) to the side of the desk frame.



Figure 4: The desk includes a cable management tray and a convenient headphone hook for organization.

OPERATING INSTRUCTIONS

Your Radlove Electric Standing Desk features an intuitive control panel for easy height adjustment and memory settings.

Control Panel Functions:



Memory Button

4 memory height in
1/2/3/4



Re-memory height

Long press to re-memory
your height



Up/down

Press the button to
adjust the height



LED

LED screen displays
current height

Figure 5: The digital control panel features up/down arrows, memory buttons (1-4), and an LED display.

- **Up/Down Arrows (▲ / ▼):** Press to manually adjust the desk height between 28" and 46".
- **Memory Buttons (1, 2, 3, 4):** Long-press a memory button until you hear a 'beep' to save the current height. To recall a saved height, simply press the corresponding memory button.
- **LED Display:** Shows the current desk height in inches.

The smooth electric motor ensures quiet operation (Noise < 50dB) during height adjustments.

OURS



Double-beam construction
Longer lifespan, stronger load
capacity of 176lbs



OTHERS



Single-beam construction
Shorter longevity, limited
capacity of 100lbs



Figure 6: The desk operates quietly, ensuring minimal disruption in your workspace.

MAINTENANCE

- **Cleaning:** Dust the desk regularly with a soft, dry cloth. For tougher stains, use a gentle cleaner and a damp cloth, then wipe dry immediately. Avoid abrasive cleaners.
- **Cable Management:** Periodically check and organize cables using the integrated cable tray to prevent tangles and damage.
- **Motor Care:** The electric motor is designed for durability. Avoid obstructing its movement during operation.

TROUBLESHOOTING

If you encounter any issues with your desk, refer to the common problems and solutions below.

| Problem | Possible Cause | Solution |
|-----------------------------------------|-------------------------------------------------------------------|------------------------------------------------------------------------------------------------------------------------------------------------------------------------------------------------------------------------------------------------------------------------------------------------|
| Desk not moving / Error Code displayed | Motor or control panel issue, obstruction, or power interruption. | Reset Procedure: <ol style="list-style-type: none"> 1. Unplug the power cord from the wall outlet. 2. Wait for at least 10 seconds. 3. Plug the power cord back into the wall outlet. 4. If an error code persists, contact customer support. |
| Desk wobbles | Loose screws or uneven floor. | Ensure all assembly screws are tightened. Adjust the leveling feet at the bottom of the legs to stabilize the desk on uneven surfaces. |
| Sync rod not connecting during assembly | Screws on the sync rod are not facing upwards or are too tight. | Turn the sync rod until the small black screws face upwards. Loosen these screws slightly if needed to allow connection. |

SPECIFICATIONS

| | |
|--------------------------------|------------------------------------------------------------------------------------------------|
| Brand | Radlove |
| Model Number | SD-RB-140-HD |
| Product Dimensions | 55"D x 30"W x 45"H |
| Color | Rustic Brown |
| Height Adjustment Range | 28" - 46" |
| Maximum Weight Capacity | 176 lbs |
| Top Material Type | Engineered Wood |
| Base Material | Metal (Double-beam construction) |
| Special Features | Electric Height Adjustable, 4 Memory Presets, Anti-Collision Technology, Cable Management Tray |

CURVED DESIGN

Desktop with ergonomic curved design not only makes your desk more elegant, but also makes your work and study more efficient.



Figure 7: Detailed dimensions and adjustable height range of the desk.

WARRANTY AND SUPPORT

Radlove offers a **3-year warranty** on this Electric Standing Desk, covering manufacturing defects and motor malfunctions. For any questions, technical assistance, or warranty claims, please contact our excellent after-sales service team. Contact information can typically be found on the product packaging or the official Radlove website.