



[Manuals.plus](#) /

> [COSTWAY](#) /

> COSTWAY Outdoor Patio Heater User Manual

## COSTWAY 70859SL-CYPO

# COSTWAY Outdoor Patio Heater User Manual

Model: 70859SL-CYPO  
50,000 BTU Propane Heater

### IMPORTANT SAFETY INFORMATION

---

Please read and understand all safety warnings and instructions before assembling, operating, or servicing this heater. Failure to follow these instructions may result in fire, explosion, property damage, personal injury, or death.

- For outdoor use only. Do not operate indoors or in enclosed spaces.
- Keep clear of combustible materials, gasoline, and other flammable vapors and liquids.
- Ensure adequate ventilation.
- Always operate on a firm, level surface.
- This heater is equipped with an anti-tilt safety device that automatically shuts off the gas supply if the heater tips over.
- The Flame-out Protection system automatically shuts off the gas supply if the flame goes out.
- Regularly check for gas leaks using a soap solution. Never use a flame to check for leaks.
- Keep children and pets at a safe distance from the heater.

# Anti-tilt Safety Device

Perfectly protect your safety



Figure 1: Anti-tilt Safety Device and Protection Systems

The heater incorporates multiple safety features, including an anti-tilt mechanism and flame-out protection, to ensure safe operation. It is also CSA certified for high security.

## PRODUCT OVERVIEW

The COSTWAY Outdoor Patio Heater provides powerful and efficient heating for your outdoor spaces. Designed for durability and ease of use, it features a robust stainless steel construction and essential safety mechanisms.

### Key Features:

- **Powerful 50,000 BTU Heating:** Delivers substantial warmth with a wide heating area of up to 15ft in diameter, thanks to its 32-inch reflector.
- **Simple Operation System:** Easy ignition with a push-button igniter and adjustable temperature control knob.
- **Easy to Move & Assemble:** Equipped with 2 flexible built-in wheels for effortless relocation and handles for convenient 20lbs liquid propane gas tank installation (tank not included).
- **Premium Material for Outdoor Use:** Constructed from high-quality stainless steel with a powder-coated surface, ensuring durability and resistance to harsh weather conditions.
- **Multiple Safety Protection:** Features an anti-tilt safety device, ground fixer, and Flame-out Protection system. CSA certified for enhanced safety.





Figure 2: COSTWAY Outdoor Patio Heater

This image shows the complete assembly of the COSTWAY outdoor patio heater, highlighting its sleek silver finish and tower design.



Figure 3: Key Features Visual

Visual representation of the heater's robust construction, quality materials, rust-resistant finish, and high heat output.

## PARTS LIST

---

Before assembly, ensure all parts are present and undamaged. Refer to the diagram below for component identification.



Figure 4: Heater Components

This diagram illustrates the main components of the patio heater, including the cylinder housing for the propane tank, the excess flow valve, the steel reflector and burner assembly, and the stable base with ground fixer points.

- Reflector Assembly
- Burner Assembly with Control Unit
- Main Pole
- Cylinder Housing (Base)
- Wheels (2)
- Hardware Pack (bolts, nuts, washers)
- Gas Hose and Regulator
- User Manual

## SETUP AND ASSEMBLY

Assembly is required. Follow these steps carefully to ensure proper and safe setup.

1. Unpack all components and verify against the parts list.
2. Attach the wheels to the base for easy mobility.
3. Secure the main pole to the base.
4. Mount the burner assembly and control unit to the top of the pole.

5. Attach the reflector assembly to the top of the burner unit.
6. Install a standard 20lbs liquid propane gas tank (not included) into the cylinder housing. Use the integrated handles for assistance.
7. Connect the gas hose and regulator to the propane tank. Ensure all connections are tight and leak-free.
8. Place the heater on a stable, level surface, away from any combustible materials.

## Flexible Wheels

2 built-in wheels  
provide smooth  
mobility from one  
place to another



Figure 5: Easy Mobility with Flexible Wheels

The built-in wheels allow for convenient movement of the heater to your desired outdoor location.

## OPERATING INSTRUCTIONS

Follow these steps to safely ignite and operate your patio heater.

1. Ensure the propane tank valve is fully open.
2. Turn and hold the control knob to the "High" position.
3. While holding the knob, press the red ignition button repeatedly until the burner ignites.
4. Once ignited, continue to hold the control knob for 10-15 seconds to allow the thermocouple to heat up and engage the safety valve.
5. Release the control knob. If the flame goes out, repeat steps 2-4.
6. Adjust the heat output by rotating the control knob between "Low" and "High" settings as desired.
7. To turn off the heater, turn the control knob to the "OFF" position and close the propane tank valve.



## Simple Ignition System

- 1、 Turn and hold the control knob to the high position
- 2、 Press red ignition button

## Stainless steel Burner



High ----- low

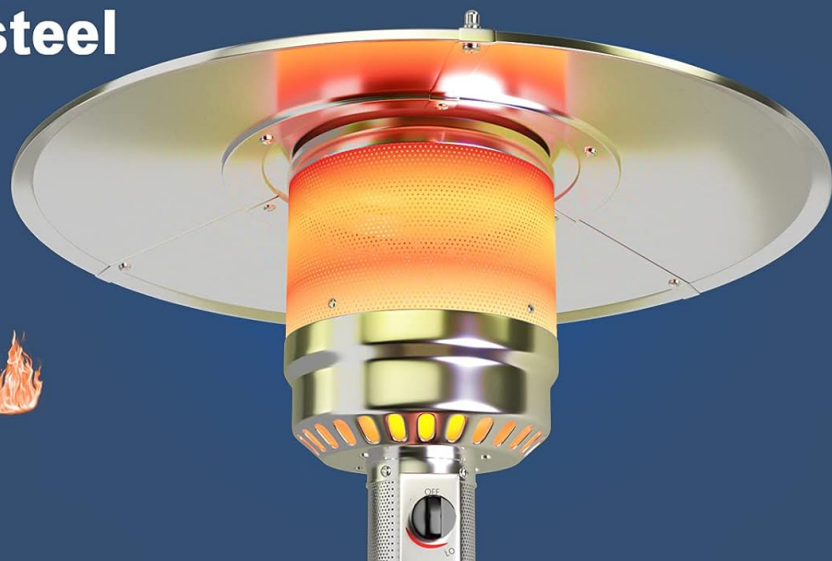


Figure 6: Simple Ignition System

The control panel features a simple igniter button and a control knob for adjusting the flame intensity from high to low.

## MAINTENANCE

Regular maintenance ensures the longevity and safe operation of your patio heater.

- **Cleaning:** Wipe down exterior surfaces with a soft, damp cloth. Do not use abrasive cleaners or flammable solvents. Ensure the heater is cool before cleaning.
- **Burner and Reflector:** Periodically inspect the burner and reflector for any debris or blockages. Keep the burner ports clean.
- **Gas Hose and Connections:** Before each use, check the gas hose for cuts, abrasions, or excessive wear. Perform a leak test annually or whenever the gas tank is replaced.
- **Storage:** When not in use for extended periods, disconnect the propane tank and store the heater in a dry, sheltered area. Consider using a weather-resistant cover.

## TROUBLESHOOTING

If you encounter issues with your heater, refer to the common problems and solutions below.

Problem	Possible Cause	Solution
---------	----------------	----------

Problem	Possible Cause	Solution
Heater will not ignite.	No gas flow; igniter issue; air in gas line.	Check propane tank level and valve. Ensure igniter sparks. Purge air by holding control knob for longer.
Flame goes out during operation.	Low gas pressure; tip-over switch activated; flame-out protection activated.	Check propane tank. Ensure heater is on a stable surface. Re-ignite following operating instructions.
Low heat output.	Low gas pressure; partially closed tank valve; dirty burner.	Check propane tank. Fully open tank valve. Clean burner ports.
Smell of gas.	Gas leak.	Immediately turn off heater and propane tank. Perform a leak test with soap solution. Do not operate if leak persists. Contact qualified service personnel.

## SPECIFICATIONS

Feature	Detail
Brand	COSTWAY
Model Number	70859SL-CYPO
Heat Output	50,000 BTU
Heating Coverage	Up to 15ft in diameter
Fuel Type	Propane (20lbs tank, not included)
Material	Stainless Steel with powder-coated surface
Color	Silver
Product Dimensions (D x W x H)	19.5"D x 19.5"W x 87"H
Item Weight	33 pounds
Safety Features	Anti-tilt safety device, Flame-out Protection, CSA certified
Mobility	2 flexible built-in wheels



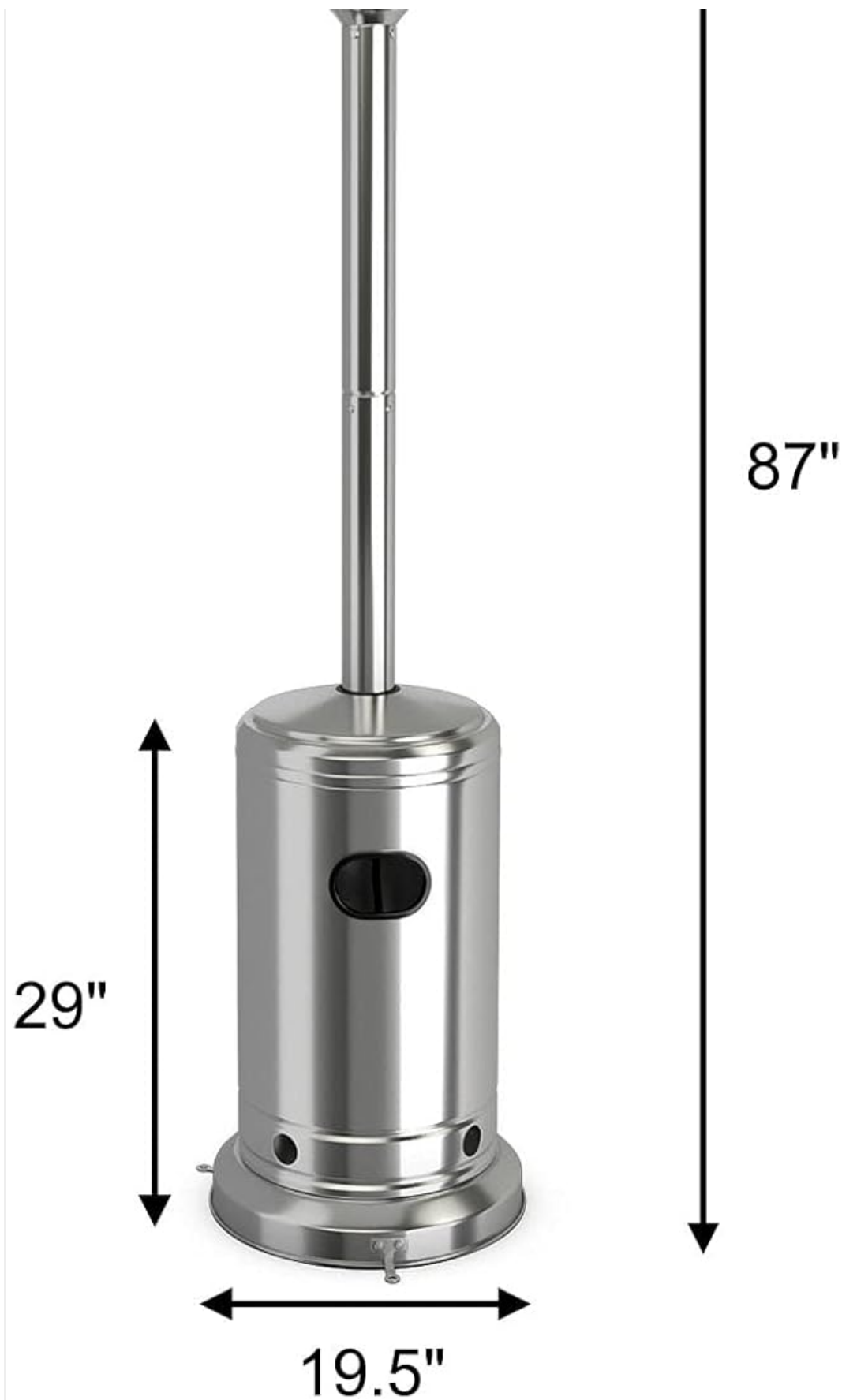


Figure 7: Product Dimensions

Detailed dimensions of the patio heater, including the reflector, base, and overall height.

## WARRANTY AND SUPPORT

---

For warranty information and customer support, please refer to the documentation included with your purchase or visit the official COSTWAY website. Protection plans may be available for purchase separately.

**Contact COSTWAY:**

Website: [www.costway.com](http://www.costway.com)

Customer Service: Refer to your product packaging or the official website for the most current contact information.

---

© 2024 COSTWAY. All rights reserved.

This manual is for informational purposes only. Specifications are subject to change without notice.