



Manuals.plus /

› HOMCOM /

› HOMCOM Kids Kitchen Stool Model 312-053GY: Instruction Manual

HOMCOM 312-053GY

HOMCOM Kids Kitchen Stool Model 312-053GY: Instruction Manual

Brand: HOMCOM | Model: 312-053GY

1. INTRODUCTION

This manual provides essential information for the safe assembly, operation, and maintenance of your HOMCOM Kids Kitchen Stool, Model 312-053GY. This adjustable height step stool is designed to allow toddlers to safely participate in kitchen activities or reach elevated surfaces in other rooms.

2. SAFETY INFORMATION

Please read and understand all safety warnings before assembly and use. Failure to follow these instructions may result in serious injury.

- **Adult Supervision Required:** Always supervise children when they are using the stool.
- **Weight Limit:** Do not exceed the maximum weight capacity of 110 lbs (50 kg).
- **Age Recommendation:** Suitable for children aged 3-6 years.
- **Stable Surface:** Ensure the stool is placed on a flat, stable, and dry surface before use.
- **Secure Placement:** Position the stool securely against a counter or stable surface to prevent tipping.
- **Check Components:** Regularly inspect all parts for wear, damage, or loose fasteners. Do not use if any part is damaged.
- **Prevent Climbing:** Do not allow children to climb on the outside of the stool or on the guardrails.
- **Keep Clear:** Ensure the area around the stool is clear of obstacles.

3. PRODUCT FEATURES

- **Adjustable Platform:** The standing platform can be adjusted to three different heights to accommodate your child's growth and various counter heights.
- **Secure Design:** Features guardrails and handrails to provide support and help prevent accidental falls.
- **Sturdy Construction:** Made from durable Engineered Wood (MDF) with a trapezoid structure for enhanced stability.
- **Versatile Use:** Ideal for use in the kitchen, washroom, or other areas where children need extra height.
- **Easy to Clean:** Smooth surfaces allow for simple cleaning.

ADJUSTABLE HEIGHT

Pedal 3 gears adjustable: 12.25", 16.5", 20.5"



▲ Safe Handrail

▼ Considerate Step



Figure 3.1: Adjustable Height Feature. The standing platform can be set to 12.25", 16.5", or 20.5" from the ground.

SAFE MATERIAL & STURDY

Made of MDF



Trapezoid-
structure



Figure 3.2: Sturdy Construction. The stool is made from MDF and features a stable trapezoid design.

4. SETUP AND ASSEMBLY INSTRUCTIONS

Assembly is required for this product. Please follow the steps below carefully. It is recommended to have two adults for assembly.

1. **Unpack Components:** Carefully remove all parts from the packaging and lay them out on a clean, soft surface to prevent scratches. Verify all components are present against the included parts list (refer to packaging for detailed list).
2. **Assemble Side Panels:** Attach the horizontal support bars between the two main side panels. Ensure they are securely fastened.
3. **Install Standing Platform:** Insert the standing platform into the desired height slot. The platform can be adjusted to three positions. Ensure it is fully seated and stable.
4. **Attach Guardrails:** Secure the top guardrail and any additional safety bars as per the detailed assembly diagram (refer to packaging).
5. **Tighten All Fasteners:** Once fully assembled, double-check and tighten all screws and fasteners to ensure maximum stability. Do not overtighten.



Figure 4.1: Assembled Stool in Use. Ensure all parts are correctly assembled before allowing a child to use it.

5. OPERATING INSTRUCTIONS

Using the HOMCOM Kids Kitchen Stool is straightforward. Follow these steps for safe and effective use:

1. **Adjusting Height:** To adjust the standing platform height, carefully lift the platform out of its current slots and re-insert it into the desired higher or lower slots. Ensure both sides are evenly placed and fully secured.
2. **Placing Child in Stool:** Guide your child to step onto the lower step, then assist them in climbing onto the main standing platform. Ensure they are positioned centrally and can comfortably hold onto the guardrails.
3. **Supervision:** Always maintain direct supervision of your child while they are in the stool.
4. **Removing Child:** Assist your child in stepping down from the platform and then from the lower step.

Your browser does not support the video tag.

Video 5.1: Demonstration of a child safely using the HOMCOM Kids Kitchen Stool in a kitchen and washroom setting, highlighting its versatility and adjustable features. This video is provided by Aosom Direct.

6. MAINTENANCE AND CARE

- **Cleaning:** Wipe the stool with a damp cloth and mild soap. Avoid abrasive cleaners or harsh chemicals that could damage the finish. Dry thoroughly after cleaning.
- **Inspection:** Periodically check all screws and connections to ensure they remain tight. Retighten as necessary.
- **Storage:** Store the stool in a dry environment away from direct sunlight or extreme temperatures to prevent warping or damage to the wood.

7. TROUBLESHOOTING

- **Stool feels wobbly:**
 - Ensure all screws and fasteners are securely tightened.
 - Verify the stool is placed on a flat, even surface.
 - Check if the standing platform is correctly seated in its slots on both sides.
- **Difficulty adjusting platform height:**
 - Ensure the platform is lifted completely out of its current slots before attempting to re-insert it into new ones.
 - Check for any obstructions in the adjustment slots.
- **Missing parts during assembly:**
 - Refer to the parts list provided in the packaging. Contact HOMCOM customer support if parts are missing.

8. SPECIFICATIONS

Feature	Detail
Brand	HOMCOM
Model Name	312-053GY
Material	Engineered Wood (MDF)
Color	Gray
Overall Dimensions (L x W x H)	15.75"D x 19.75"W x 35.5"H
Adjustable Platform Heights	12.25", 16.5", 20.5" (from ground)
Weight Capacity	110 lbs (50 kg)
Item Weight	23.1 lbs (10.48 kg)
Recommended Age	3-6 years old
Foldable	Yes

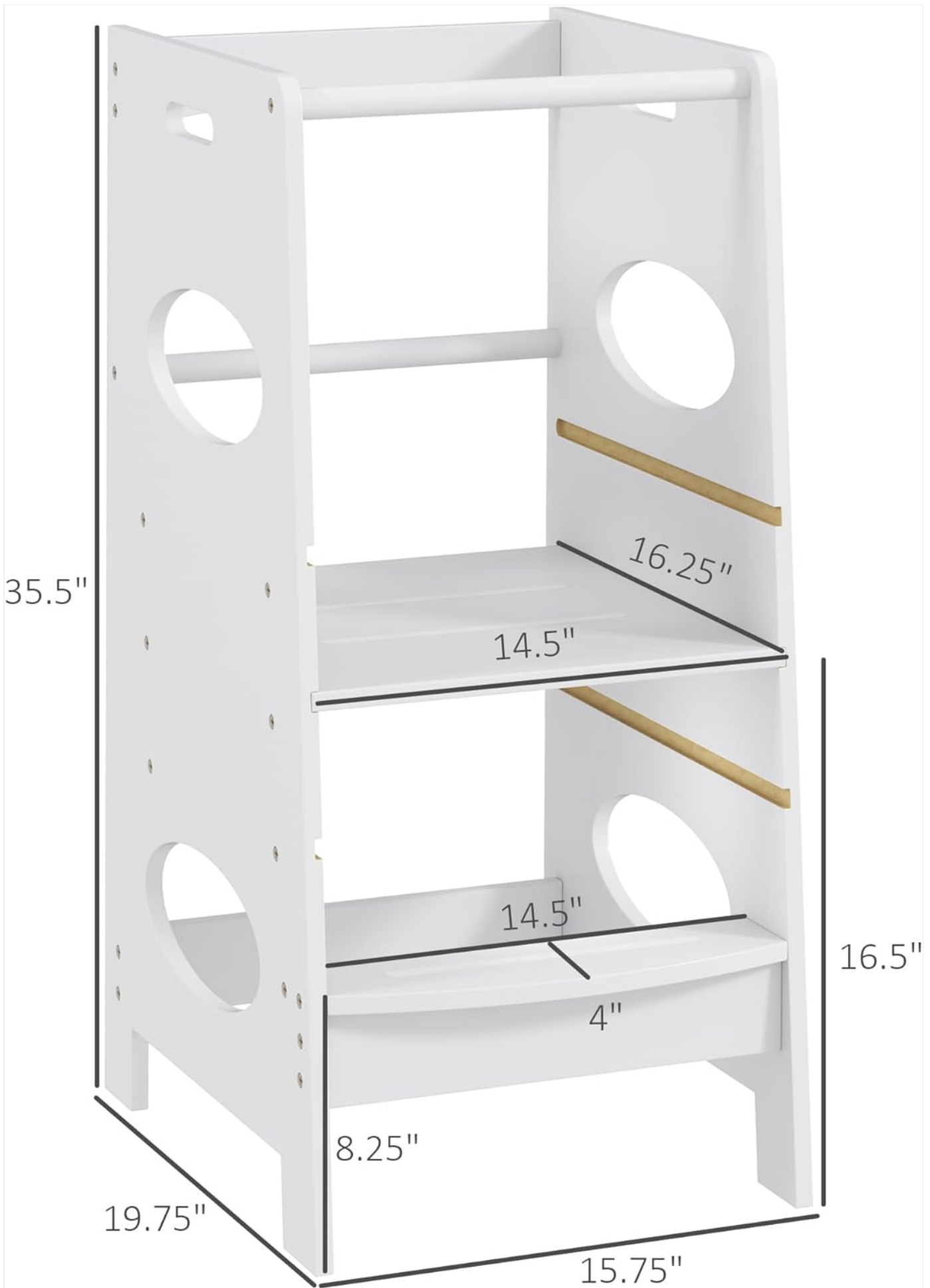


Figure 8.1: Product Dimensions. All measurements are approximate.

9. WARRANTY AND SUPPORT

For warranty information, replacement parts, or customer support, please refer to the contact details provided in your product packaging or visit the official HOMCOM website. Please have your model number (312-053GY) and purchase date available when contacting support.

