

Manuals.plus /

› Ideal Standard /

› Ideal Standard Ceraplan BD210AA Basin Mixer Tap Instruction Manual

Ideal Standard BD210AA

Ideal Standard Ceraplan BD210AA Basin Mixer Tap Instruction Manual

Model: BD210AA

1. INTRODUCTION

This instruction manual provides detailed guidance for the installation, operation, and maintenance of your Ideal Standard Ceraplan BD210AA Basin Mixer Tap. Please read this manual thoroughly before installation and use to ensure proper function and longevity of the product. Retain this manual for future reference.

2. SAFETY INFORMATION

- Always turn off the main water supply before beginning any installation or maintenance work.
- If you are unsure about any part of the installation process, consult a qualified plumber.
- Ensure all connections are secure to prevent leaks.
- The integrated hot water temperature limiter provides safe protection against excessively hot temperatures, especially for children.
- Do not use abrasive cleaners or harsh chemicals on the chrome finish, as this can damage the surface.

3. PACKAGE CONTENTS

Verify that all components are present before starting the installation:

- Ideal Standard Ceraplan BD210AA Basin Mixer Tap (without waste)
- Mounting hardware (Easy-Fix system)
- Flexible connection hoses (2xG3/8)



Figure 1: Ideal Standard Ceraplan BD210AA Basin Mixer Tap. This image shows the main product, a chrome-finished basin mixer tap with a single lever handle.

4. SETUP AND INSTALLATION

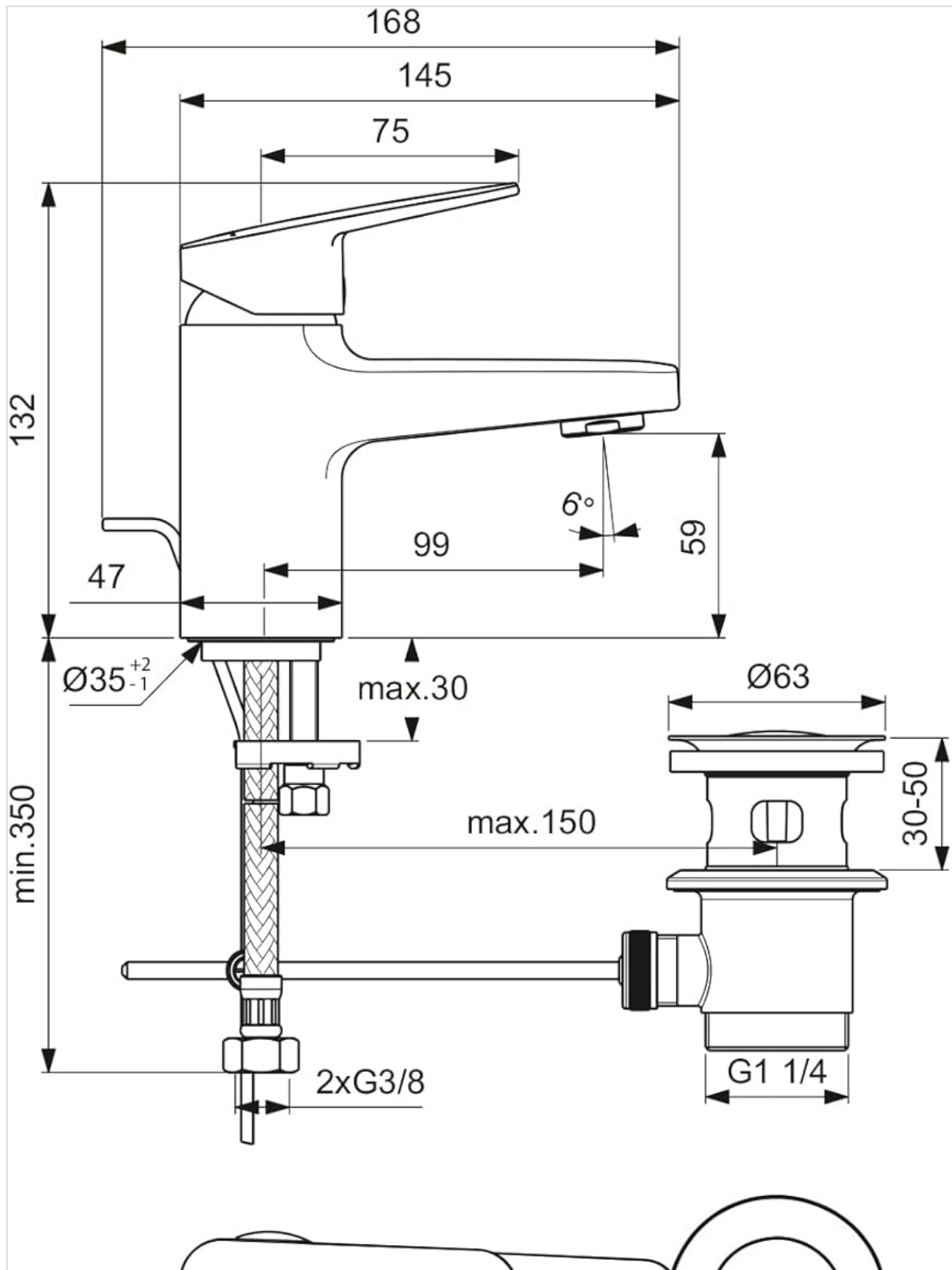
The Ceraplan BD210AA basin mixer tap features an Easy-Fix rapid mounting system for quick and straightforward installation. It is designed for single-hole deck mounting (plate or tap hole).

4.1. Pre-Installation Checks

- Ensure the mounting surface is clean and flat.
- Confirm the tap hole diameter is appropriate (typically Ø35mm).
- Verify that hot and cold water supply lines are accessible and can be connected to the G3/8 flexible hoses.

4.2. Installation Steps

1. Insert the flexible hoses and the threaded rod into the tap body.
2. Place the tap onto the basin, ensuring the sealing ring is correctly positioned between the tap and the basin surface.
3. From underneath the basin, secure the tap using the Easy-Fix mounting system (washer and nut) onto the threaded rod. Tighten firmly but do not overtighten.
4. Connect the flexible hoses to the hot and cold water supply lines. The hose with the red marking is typically for hot water, and blue for cold water.
5. If your basin has a waste with a pull-rod mechanism, connect the tap's pull-rod to the waste mechanism. (Note: The waste assembly is not included with this tap).
6. Slowly turn on the main water supply and check for any leaks.



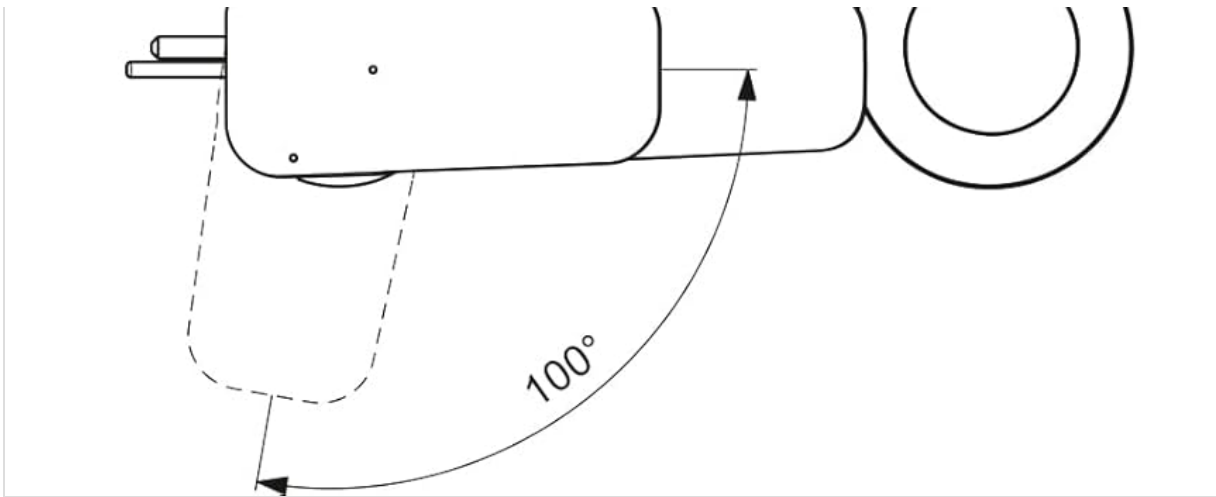


Figure 2: Technical drawing showing dimensions and connection points for the Ideal Standard Ceraplan BD210AA. Key dimensions include overall height (146mm), spout height (73mm), and projection (103mm). It also illustrates the G3/8 water connections and the pull-rod for waste operation.



Figure 3: Side view of the Ceraplan BD210AA tap, highlighting the integrated pull-rod mechanism at the rear for operating a basin waste (waste not included).

5. OPERATING INSTRUCTIONS

The Ideal Standard Ceraplan BD210AA features a single metal lever handle for manual control of water flow and temperature.

- **Water Flow Control:** Lift the lever handle upwards to increase water flow. Push it downwards to decrease flow and turn off the tap.

- **Temperature Control:** Move the lever handle to the left for hot water (indicated by a red marking) and to the right for cold water (indicated by a blue marking). The ceramic cartridge allows for a 100-degree swivel range for precise temperature adjustment.
- **Water Saving Feature:** This tap is equipped with a flow regulator, limiting the water flow to a maximum of 5 liters per minute at 3 bars pressure, contributing to water and energy savings without compromising comfort.
- **Integrated Hot Water Limiter:** For safety, especially with children, an integrated hot water temperature limiter is present to prevent scalding.
- **Waste Operation (if applicable):** If a compatible basin waste is installed, use the pull-rod at the back of the tap to open and close the waste plug.



Figure 4: Top view of the Ceraplan BD210AA tap, showing the single lever handle with red and blue temperature markings for intuitive control.

6. MAINTENANCE

6.1. Cleaning the Tap

- Clean the chrome surface regularly with a soft cloth and mild soap or a non-abrasive liquid cleaner specifically designed for chrome finishes.
- Rinse thoroughly with clean water and dry with a soft cloth to prevent water spots.
- Avoid using abrasive sponges, scouring pads, or cleaners containing alcohol, ammonia, bleach, or phosphoric acid, as these can damage the chrome finish.

6.2. Cartridge Maintenance

The tap is equipped with a high-performance ceramic FirmaFlow cartridge, tested for over 500,000 cycles, ensuring extremely long life. The cartridge contains food-grade grease for smooth operation. No regular user maintenance is typically required for the cartridge itself, but if flow issues or persistent drips occur, professional servicing may be needed.

6.3. Aerator Cleaning

Periodically unscrew the aerator at the end of the spout and clean any accumulated debris or limescale. Rinse it under running water and reattach it securely.

7. TROUBLESHOOTING

Problem	Possible Cause	Solution
Low water flow	Clogged aerator; partially closed stopcock; low water pressure.	Clean the aerator; ensure stopcocks are fully open; check main water pressure.
Water dripping from spout	Worn or faulty cartridge.	Contact a qualified plumber for cartridge replacement.
Leakage at connections	Loose connections; damaged seals.	Tighten connections (do not overtighten); replace seals if damaged.
Difficulty adjusting temperature	Cartridge issue; hot water limiter setting.	Consult a plumber; check hot water limiter settings if adjustable (usually factory set).

8. TECHNICAL SPECIFICATIONS

Feature	Detail
Model Reference	BD210AA
Brand	Ideal Standard
Product Dimensions (L x W x H)	4.7 x 15.4 x 14.6 cm
Weight	1.36 Kilograms
Color/Finish	Chrome
Material	Brass (Body), Stainless Steel (Handle)
Installation Method	Deck Mounted (Single Hole)
Number of Holes Required	1
Flow Rate	5 Liters per minute (at 3 bars)
Number of Handles	1 (Lever)
Handle Material	Metal (Stainless Steel)
Cartridge Type	Ceramic FirmaFlow
Cartridge Durability	500,000 cycles
Special Features	Water-saving system, Integrated hot water temperature limiter
Components Included	Basin mixer tap (without waste)
Noise Level	DIN 4109: Group 1
Temperature Resistance	80 °C (max 95 °C)

9. WARRANTY AND SUPPORT

Ideal Standard products are manufactured to high-quality standards and are backed by a manufacturer's warranty. For specific warranty terms and conditions, please refer to the documentation provided with your purchase or visit the official Ideal Standard website. For technical support, spare parts, or service inquiries, please contact Ideal Standard customer service or your local distributor.

Please retain your proof of purchase for warranty claims.