

Pothunder YL-F2-BF-30MM

Pothunder Smart Cabinet Lock (30mm) User Manual

Model: YL-F2-BF-30MM

1. INTRODUCTION

The Pothunder Smart Cabinet Lock provides advanced security for your furniture with multiple unlocking methods, including fingerprint recognition and Bluetooth APP control. This manual provides detailed instructions for installation, operation, maintenance, and troubleshooting to ensure optimal performance and user experience.

2. PRODUCT FEATURES

- **APP Bluetooth Unlock:** Remotely authorize access for up to 500+ general users, set unlock times and schedules, and review unlock records via the mobile application.
- **Fingerprint Unlock:** Advanced biometric technology allows for fast unlocking in 0.5 seconds. Supports up to 20 unique fingerprints for convenient keyless access.
- **Versatile Latches:** Includes three different latch sizes (35mm, 45mm, 47mm) to accommodate various cabinet and drawer thicknesses, specifically designed for single drawers with a thickness of less than 30mm.
- **Rechargeable Battery:** Equipped with a built-in rechargeable lithium battery, providing approximately 2000 unlocks per full charge and up to 6 months of continuous standby time. Features a low battery reminder function. A USB-C charging cable is included.
- **Wide Application:** Suitable for securing various furniture items such as wardrobes, drawers, cabinets, storage boxes, and mailboxes.

3. PACKAGE CONTENTS

Please verify that all items are present in your package:

- Pothunder Smart Cabinet Lock Unit
- USB-C Charging Cable
- Instruction Manual
- Installation Tools (Wrench)
- Multiple Latch Plates (35mm, 45mm, 47mm)

- Mounting Hardware (Nuts, Washers)

4. SPECIFICATIONS

Feature	Description
Brand	Pothunder
Model Name	F2BF (Item model number: YL-F2-BF-30MM)
Lock Type	Biometric, Keyless, Smart
Special Feature	Bluetooth APP & Fingerprint, USB Rechargeable
Material	Stainless Steel
Item Dimensions (L x W x H)	1.34 x 1.18 x 0.6 inches
Item Weight	4.8 ounces
Size	30 mm
Color	Silver
Battery Type	1 Lithium Ion battery (rechargeable)
Connectivity Protocol	Bluetooth
Controller Type	Android, Hand Control, iOS

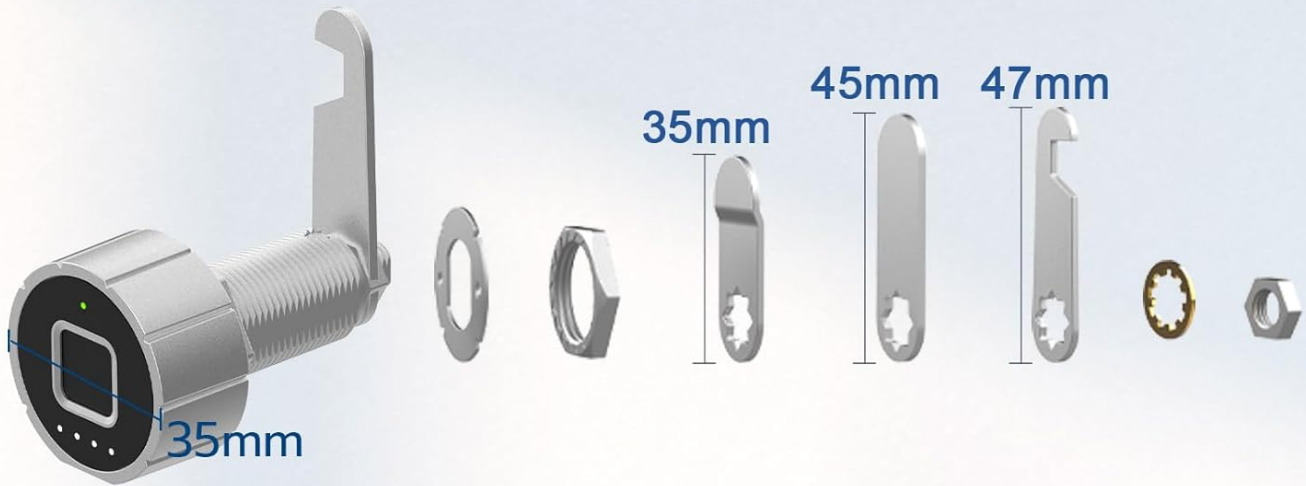
5. INSTALLATION GUIDE

The Pothunder Smart Cabinet Lock is designed for easy installation on single drawers or cabinet doors with a thickness of less than 30mm. Follow these steps for proper setup:

- 1. Prepare the Installation Area:** Ensure the cabinet or drawer surface is clean and dry. Identify the desired location for the lock.
- 2. Drill the Mounting Hole:** Based on the lock's dimensions (refer to the 'Choose the Right Size' image), drill a circular hole of approximately 19mm diameter for the lock cylinder. Ensure the hole is straight and clean.
- 3. Insert the Lock Cylinder:** Insert the main lock cylinder through the drilled hole from the exterior side of the cabinet/drawer.
- 4. Attach Mounting Hardware:** From the interior side, place the washer and then thread the nut onto the lock cylinder. Tighten securely using the provided wrench.
- 5. Select and Attach Latch Plate:** Choose one of the three provided latch plates (35mm, 45mm, or 47mm) that best suits your cabinet's closing mechanism. Attach the selected latch plate to the end of the lock cylinder, ensuring it aligns correctly to engage with the cabinet frame when locked.



Choose the right size



The cabinet thickness \leq lock shaft

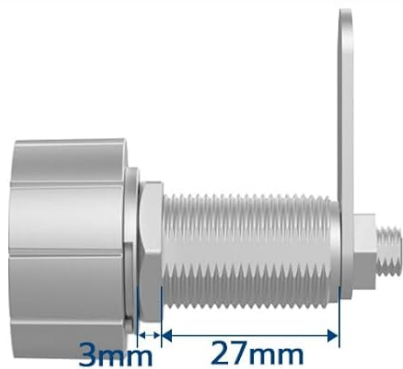


Figure 5.1: Choose the Right Latch Size. This diagram provides guidance on selecting the appropriate latch size for your cabinet, detailing the lock shaft dimensions and required cabinet thickness (up to 30mm).



Figure 5.2: Installation Diagram. This diagram shows the process of installing the lock, including drilling the necessary hole and securing the lock mechanism to the drawer.



Figure 5.3: Lock Components. A detailed view of the lock's components, highlighting the main unit, various washers, nuts, and the three different latch sizes provided for customization.

Installation Videos

Video 5.1: Fingerprint Drawer Lock Installation. This video provides a visual guide to installing the Pothunder Smart Cabinet Lock on a drawer and demonstrates its fingerprint unlocking functionality.

Video 5.2: Fingerprint Cabinet Lock Installation. Watch this video for a step-by-step demonstration of installing the Pothunder Smart Cabinet Lock on a cabinet and how to operate it using fingerprint recognition.

6. OPERATING INSTRUCTIONS

The Pothunder Smart Cabinet Lock offers convenient and secure access through fingerprint and Bluetooth APP methods.

6.1 Fingerprint Setup

1. **Download the App:** Scan the QR code in the instruction manual or search for the 'Pothunder' app in your device's app store (iOS/Android).
2. **Pair the Lock:** Ensure your device's Bluetooth is enabled. Open the app and follow the on-screen instructions to discover and add your lock. The app will typically show 'Discover 1 device' and prompt you to add it.
3. **Register Fingerprints:** Within the app, navigate to the 'Fingerprint management' section. The app will guide you to place your finger on the lock's sensor five times to record your fingerprint successfully. The LED indicator on the lock will provide feedback during this process.

6.2 Unlocking the Lock

- **Using Fingerprint:** Place a registered finger on the fingerprint sensor. The LED indicator will turn green, and the lock will disengage, allowing you to open the cabinet/drawer.
- **Using Bluetooth APP:** Open the Pothunder app on your paired device. Tap the 'Unlock' button within the app. The lock will disengage.

6.3 Locking the Lock

The lock will automatically engage when the cabinet/drawer is closed, or you can manually push the latch into the locked position. A click sound confirms it is locked.

How to unlock



Figure 6.1: How to Unlock. This image illustrates the various methods available to unlock the Pothunder Smart Cabinet Lock, including fingerprint recognition, mobile application control, and Apple Watch integration.

APP Unlock

Remotely share with family, check unlock records etc.



Figure 6.2: APP Unlock Interface. The mobile application allows for remote unlocking, sharing access with family or colleagues, and reviewing unlock records, providing comprehensive control over the lock.

7. BATTERY AND CHARGING

The Pothunder Smart Cabinet Lock is powered by a rechargeable lithium-ion battery. To ensure continuous operation, monitor the battery level and charge as needed.

- **Battery Life:** A fully charged battery can provide approximately 2000 unlocks and maintain standby for up to 6 months.
- **Low Battery Reminder:** The lock features a low battery reminder function, indicated by the LED and app prompts, to alert you when charging is required.
- **Charging:** Connect the provided USB-C cable to the charging port on the lock and to a suitable USB power source.

Long Standby Time



180 days
standby time



Free USB C

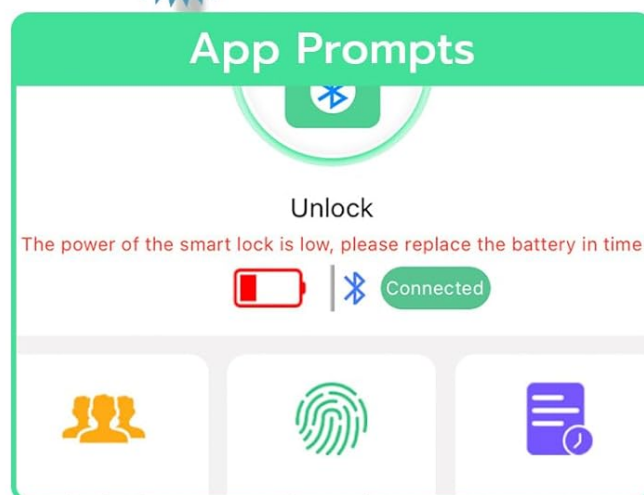
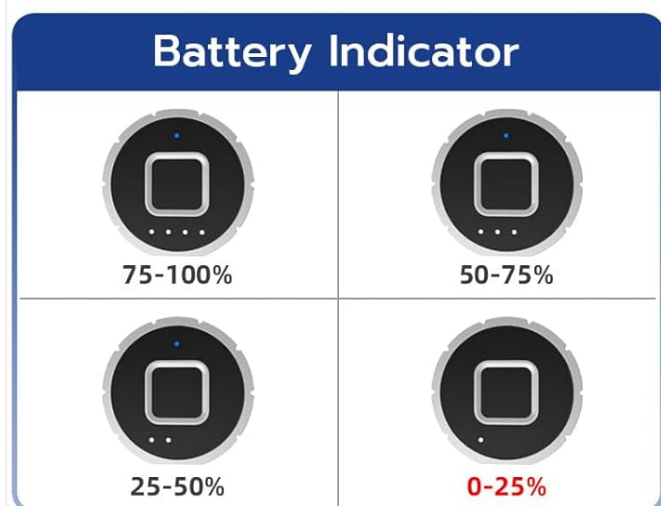


Figure 7.1: Long Standby Time and Battery Indicator. The lock is equipped with a rechargeable battery offering up to 180 days of standby time. A battery indicator and app prompts notify users of low power, and it charges via USB-C.

8. MAINTENANCE

To maintain the performance and longevity of your Pothunder Smart Cabinet Lock, consider the following:

- **Cleaning:** Wipe the lock's exterior with a soft, dry cloth. Avoid using abrasive cleaners or solvents.
- **Fingerprint Sensor:** Ensure the fingerprint sensor is clean and free of dirt or moisture for optimal recognition.
- **Firmware Updates:** Periodically check the mobile application for any available firmware updates for the lock to ensure you have the latest features and security enhancements.

9. TROUBLESHOOTING

If you encounter issues with your Pothunder Smart Cabinet Lock, refer to the following common solutions:

- **Fingerprint Not Recognized:**

- Ensure your finger is clean and dry when attempting to unlock.
- Try re-registering your fingerprint through the app to improve recognition accuracy.
- Ensure your finger covers the entire sensor area during scanning.

- **Lock Not Responding:**

- Check the battery level. If low, charge the lock using the USB-C cable.
- Ensure Bluetooth is enabled on your device and the app is connected to the lock.
- Restart the app and try again.

- **Lock Not Engaging/Disengaging Properly:**

- Verify that the correct latch size is installed and that it aligns properly with the cabinet frame.
- Check for any obstructions preventing the latch from moving freely.
- Ensure the lock is securely mounted and not loose.

10. WARRANTY AND SUPPORT

Pothunder offers a 6-month limited warranty for this product and provides lifetime customer service. For any questions, technical assistance, or warranty claims, please contact us directly.

Email: sfyt2005@hotmail.com

