



[Manuals.plus](#) /

> [APlusLift](#) /

> APlusLift HW-10KBP-A 10000LB 2-Post Floor Plate Car Lift User Manual

APlusLift HW-10KBP-A

APlusLift HW-10KBP-A 10000LB 2-Post Floor Plate Car Lift User Manual

Model: HW-10KBP-A

1. PRODUCT OVERVIEW

The APlusLift HW-10KBP-A is a robust 10,000 LB capacity 2-post floor plate car lift designed for vehicle maintenance and repair. It features a durable construction with a powder-coated finish and strong double 'S' columns, ensuring stability and longevity. The lift incorporates a combination (symmetrical and asymmetrical) arm assembly with adjustable screw pads for versatile vehicle accommodation.



Figure 1: APlusLift HW-10KBP-A 2-Post Car Lift in operation, lifting a white truck.

Key Features:

- **10,000 LB Load Capacity:** Capable of lifting a wide range of vehicles, including cars, trucks, and side-by-sides.
- **Two-Post Floor Plate Design:** Provides a stable and efficient lifting solution.
- **Combo Arm Assembly:** Features both symmetrical and asymmetrical arm configurations with adjustable screw pads for flexible vehicle positioning.
- **Durable Construction:** Built with Q355 steel for the carriage, which is stronger than standard Q235 steel, and finished with a durable powder coating.
- **CE Certified:** Lift structure and hydraulic system are CE certified, tested for 115% dynamic load capacity and 150% static load capacity.
- **Bucher Hydraulics:** Equipped with reliable hydraulic components.
- **Included Accessories:** Comes with 4-inch tall truck adapters, anchor bolts, and toe guards.

2. SETUP AND INSTALLATION

Proper setup and installation are crucial for the safe and effective operation of your APlusLift car lift. Due to the size and weight of the package, specific handling requirements must be met.

2.1 Delivery and Unloading:

- The 2-post car lift package is over 9.5 feet long.

- It **CANNOT** be unloaded with a liftgate.
- Customers **MUST** have a forklift or similar equipment available to unload the lift from the freight truck.
- Delivery is restricted to paved roads only.
- Package must be signed for and received by an adult.
- No delivery inside a building or to a backyard.

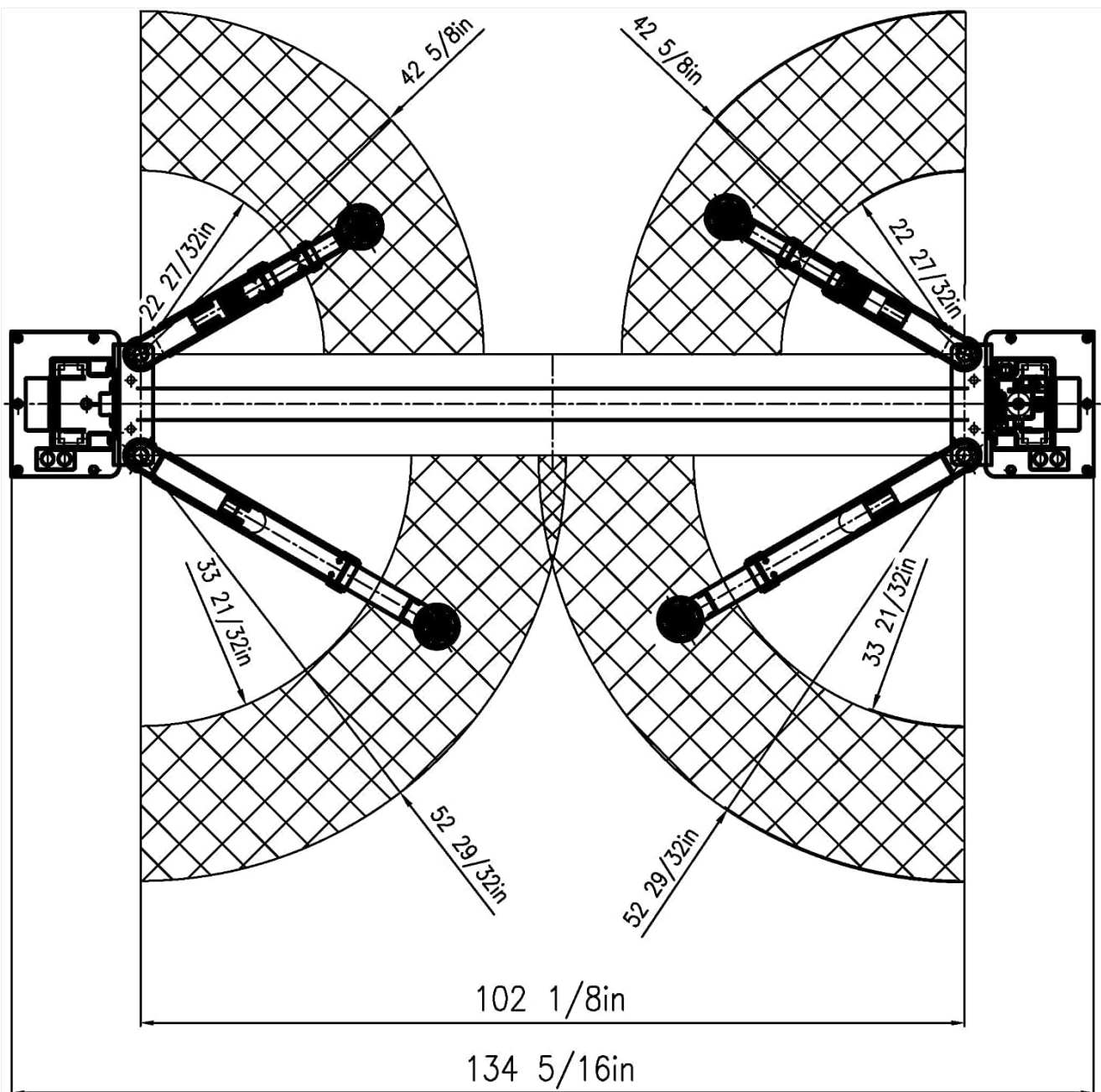


Figure 2: The APlusLift car lift as it arrives packaged on a metal frame.

2.2 Assembly:

Assembly of the lift typically requires two individuals. Ensure all components are present and undamaged before beginning assembly. Refer to the detailed assembly instructions provided in the separate PDF manual for step-by-step guidance on securing the columns, installing the arms, and connecting the hydraulic system.





BUCHER
hydraulics

Figure 3: The Bucher hydraulics power unit, which is integral to the lift's operation.



Figure 4: Technical drawing illustrating the dimensions and recommended layout for installation.

3. OPERATING INSTRUCTIONS

Follow these steps for safe and effective operation of your APlusLift car lift.

3.1 Raising a Vehicle:

1. **Position the Vehicle:** Carefully drive the vehicle onto the lift, ensuring it is centered between the posts.
2. **Adjust Arms:** Swing the lift arms into position under the vehicle's designated lifting points. Ensure the adjustable screw pads make secure contact with the vehicle's frame or pinch welds.



Figure 5: Close-up view of the adjustable screw pads on the lift arms, designed for secure contact with the vehicle.

- 3. Initiate Lift:** Locate the hydraulic power unit. Press and hold the green button to begin raising the vehicle. The lift will ascend smoothly.
- 4. Secure at Desired Height:** Once the vehicle reaches the desired working height, release the green button. The automatic locking arm gears will engage to secure the lift in place.



Figure 6: A lift arm extended and properly positioned under a vehicle's lifting point.

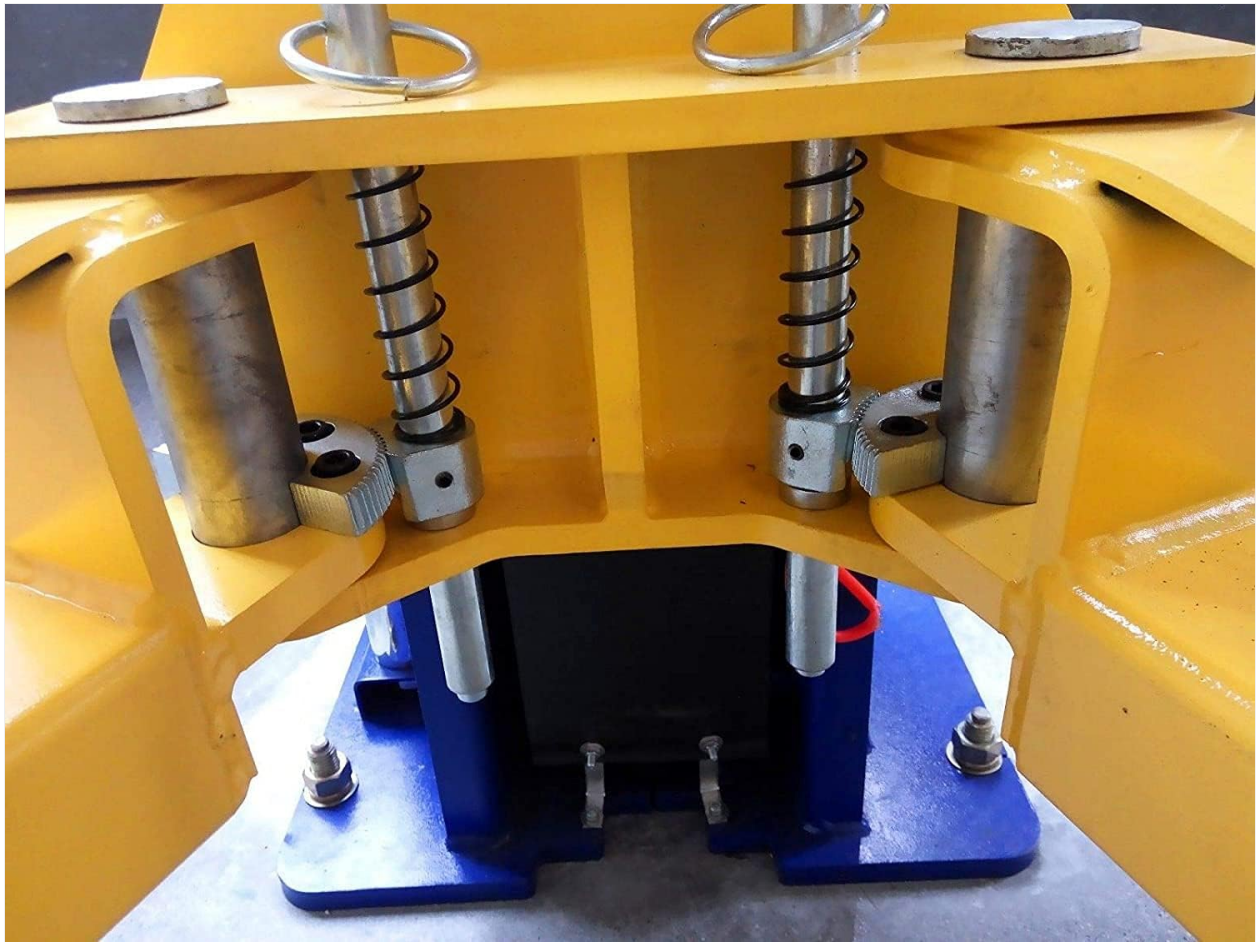


Figure 7: Detail of the lift's robust locking mechanism, ensuring safety at elevated positions.

3.2 Lowering a Vehicle:

1. **Disengage Locks:** Pull the two rip cords, one on each side of the lift, to disengage the safety locks.
2. **Lower Vehicle:** While holding the rip cords, push in the lever on the hydraulic power unit. The vehicle will begin to descend. Continue holding the lever until the vehicle is completely and safely on the ground.
3. **Retract Arms:** Once the vehicle is fully lowered and stable on the ground, push the arms inward and swing them back to their resting position, clearing the vehicle's path.

4. MAINTENANCE

Regular maintenance is essential to ensure the longevity and safe operation of your APlusLift car lift.

- **Hydraulic Fluid Check:** Periodically inspect the hydraulic fluid level in the reservoir. Top up with recommended hydraulic oil if necessary.
- **Cable and Chain Inspection:** Regularly check all lifting cables and chains for signs of wear, fraying, or damage. Replace any worn components immediately.
- **Lubrication:** Lubricate all moving parts, including hinges, pulleys, and locking mechanisms, according to the maintenance schedule in the full manual.
- **Anchor Bolt Torque:** Verify that all anchor bolts securing the lift to the floor are torqued to the manufacturer's specifications.
- **General Cleaning:** Keep the lift clean and free of debris, especially around the columns and arm mechanisms.

5. TROUBLESHOOTING

This section addresses common issues you might encounter with your car lift. For more complex problems, consult a qualified technician.

Common Issues:

- **Lift Not Raising:**
 - Check power supply and connections.
 - Verify hydraulic fluid level.
 - Ensure the green button on the power unit is pressed firmly.
- **Lift Not Lowering:**
 - Ensure both rip cords are fully pulled to disengage safety locks.
 - Verify the lowering lever on the hydraulic unit is fully engaged.
- **Uneven Lifting:**
 - Inspect cables and chains for proper tension and alignment.
 - Check for obstructions or damage to the columns or arms.

6. SPECIFICATIONS

Specification	Detail
Brand	APlusLift
Model Number	HW-10KBP-A
Load Capacity	10,000 Pounds
Material	Alloy Steel (Q355 for carriage)
Color	Blue, Yellow
Item Weight	1350 Pounds
Product Dimensions	134 x 22 x 113 inches
Style	Floor Plate
UPC	760488936313
Manufacturer	Songa Enterprises
CE Certified	Yes (115% Dynamic, 150% Static Load Tested)

7. WARRANTY AND SUPPORT

APlusLift is committed to providing high-quality products and excellent customer service.

7.1 Warranty Information:

- **Industry Leading 3-Year Warranty:** All parts are covered by a 3-year warranty.
- **Parts Only Warranty:** This warranty covers replacement parts only. There is no labor warranty on this product.

- **Comprehensive Coverage:** Warranties cover electrical and hydraulic components, ensuring reliable service.

7.2 Customer Support:

For any questions, technical assistance, or warranty claims, APlusLift customer service is readily accessible via phone, text, chat, or email. With nationwide warehouses, APlusLift aims to ensure fast delivery and offers discounted pick-up options where available.