

[Manuals.plus](#) /

› [YS YOSE POWER](#) /

› YOSE POWER Ebike Battery User Manual

YS YOSE POWER battery:AN 36V13Ah /charger:DPLC084V42Y

YOSE POWER Ebike Battery User Manual

Model: AN 36V13Ah

Brand: YS YOSE POWER

1. INTRODUCTION

This manual provides essential information for the safe and efficient use of your YOSE POWER Ebike Battery. Please read it thoroughly before installation and operation to ensure proper function and longevity of the product. This battery is designed for electric bicycles, offering reliable power for your rides.



Image 1.1: YOSE POWER Silverfish Ebike Battery with included charger and keys.

2. SAFETY INFORMATION

Adhering to these safety guidelines is crucial for preventing damage, injury, or fire.

- **Charging:** Use only the charger provided by YOSE POWER. Do not charge the battery unattended. Charge in a well-ventilated area, away from flammable materials.
- **Temperature:** Avoid exposing the battery to extreme temperatures (below -10°C or above 45°C). Do not charge in direct sunlight or near heat sources.
- **Physical Damage:** Do not drop, puncture, or disassemble the battery. If the battery is damaged, smells unusual, or leaks, discontinue use immediately and contact support.
- **Short Circuit:** Avoid short-circuiting the battery terminals.

- **Water Exposure:** While the battery is designed to be waterproof and dustproof, avoid submerging it in water.
- **Children:** Keep the battery out of reach of children.

3. PRODUCT FEATURES

The YOSE POWER Ebike Battery is equipped with several features for performance and safety:

- **Battery Management System (BMS):** Features built-in 30A BMS protection, offering short circuit protection, overcharge protection, overdischarge protection, and temperature protection.
- **Convenient and Safe Lock Design:** An integrated lock prevents theft and allows control over the battery's power supply.
- **Motor Compatibility:** This 36V13Ah model is compatible with 0-750W motors.
- **Ebike Style Matching:** Compatible with ECOTRIC Fat Tire Folding Ebike (FAT20810)(FAT20S900), Starfish, Dolphin, and Peacedove Bicycle models.
- **Output Port:** Standard 48V 10A output port.
- **Status Indicator Light:** Provides visual indication of battery status.

Silverfish Battery Electric Bike Battery



BMS
protection



Drop
protection



Waterproof
dustproof



Cycle life
1000⁺ (time)

36v

Voltage

13Ah

Capacity

3.0kg

Weight

481Wh

Energy

7hours

Charge Time

36v700w

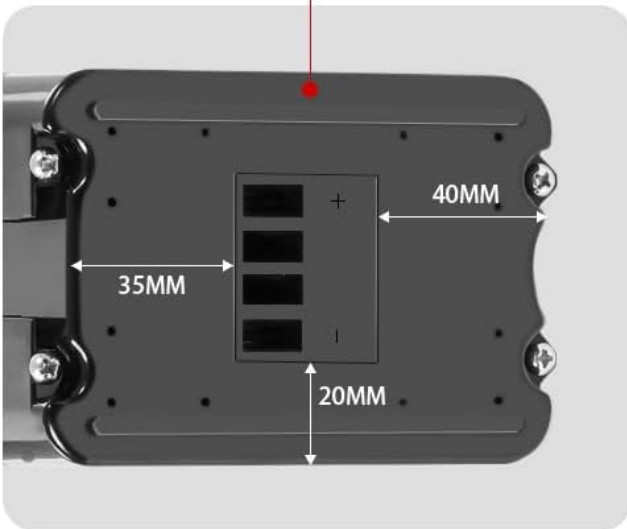
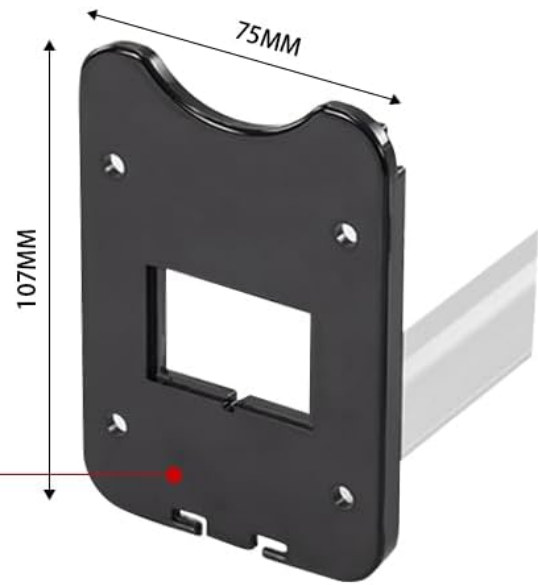
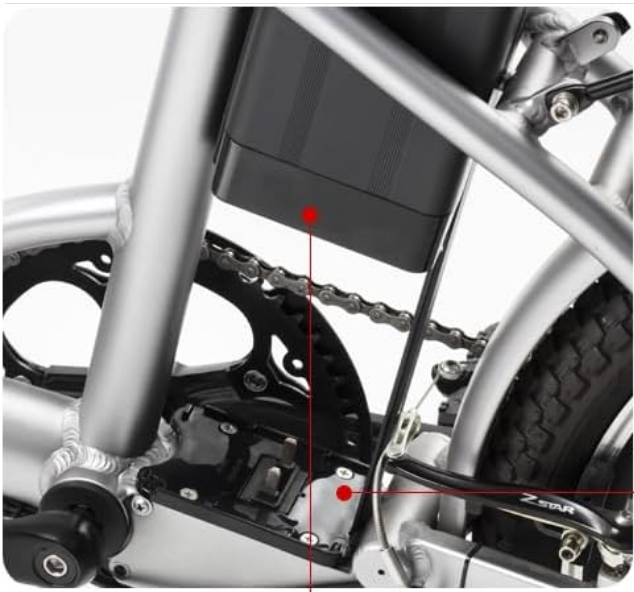
Matchable Motor(Max)

Image 3.1: Overview of battery features including BMS protection, drop protection, waterproof/dustproof, and 1000 cycle life.

4. SETUP AND INSTALLATION

Follow these steps to properly install your ebike battery:

1. **Prepare for Installation:** Ensure your ebike is turned off and stable.
2. **Unlock Battery Holder:** Use the provided keys to unlock the battery holder base. This will allow you to detach it from the battery.
3. **Install Holder on Bike:** Securely install the battery holder base onto your bike's seat tube. Ensure it is firmly attached and does not wobble.
4. **Mount Battery:** Slide the battery onto the installed holder until it clicks securely into place. Use the key to lock the battery to the frame for security.
5. **Connect Discharge Cable:** The battery features a 2-pin discharge port. Connect the appropriate discharge cable from the battery to your ebike's controller. Ensure the polarity is correct (red is "+" and black is "-").



Warning:

Please measure the dimension of the bottom plate and discharge connection position, be sure it is suitable for the battery.

Image 4.1: Diagram showing the battery's bottom plate dimensions (40mm, 35mm, 20mm) and the mounting plate dimensions (75mm x 107mm). Please measure your bike's dimensions to ensure compatibility.

DISCHARGE SOCKET

Please use our discharge cable
connect to your controller.



If you do not use our cable,
please ensure your cable "+"
and "-" is same as our battery.

Red is "+" and Black is "-"

Image 4.2: Details of the discharge socket and how to connect the discharge cable to your controller. Ensure correct polarity if using a different cable.

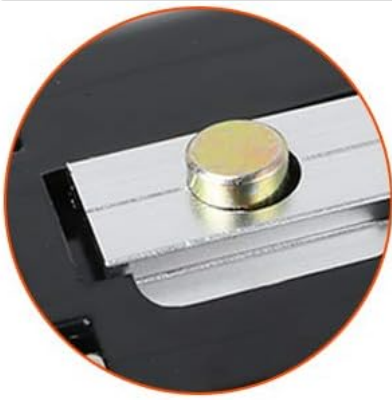
5. OPERATION

Operating your YOSE POWER Ebike Battery is straightforward:

- **Power On/Off:** To activate the battery status indicator light, press the power button twice. The light will illuminate for two seconds and then turn off. The main power is controlled by the key lock.
- **Charging:** Connect the provided charger to the battery's charge socket. The charge current for this socket should not exceed 5 amps. An indicator on the charger will show charging status.
- **USB Charge Socket:** The battery includes a USB charge socket (5V1A output) that can be used to charge mobile phones or other small electronic devices.
- **Safe Lock:** Use the key to lock the battery onto the frame, preventing unauthorized removal. The key also functions as a power switch to turn the battery on and off.



Image 5.1: Location of the battery level light and the USB charge socket.



Safe Lock ●

Lock, use to lock the battery on the frame and turn off and on the battery power.

Charge Socket ●

The charge current for this socket can not be more than 5amps.

Image 5.2: Details of the safe lock mechanism and the charge socket.

6. MAINTENANCE

Proper maintenance will extend the life of your battery:

- **Regular Charging:** Charge the battery regularly, even if not in frequent use, to maintain cell health. Avoid fully discharging the battery for extended periods.
- **Storage:** Store the battery in a cool, dry place, away from direct sunlight and extreme temperatures. If storing for a long time, charge it to about 50-60% capacity.
- **Cleaning:** Keep the battery and its terminals clean and dry. Use a soft, dry cloth to wipe down the battery. Do not use harsh chemicals or abrasive cleaners.
- **Inspection:** Periodically inspect the battery for any signs of damage, swelling, or corrosion. If any issues are observed, cease use and contact customer support.

7. TROUBLESHOOTING

If you encounter issues with your battery, consider the following common solutions:

- **Battery Not Charging:** Ensure the charger is properly connected to both the battery and a working power outlet. Check if the charger's indicator light is on.
- **Battery Not Powering On:** Verify that the battery is securely locked into its holder and the key is in the 'ON' position. Check all connections to the ebike controller.
- **Reduced Range:** Battery performance can be affected by temperature, terrain, rider weight, and motor usage. Ensure the battery is fully charged before each ride.
- **Unusual Odor or Heat:** Immediately disconnect the battery and cease use. Contact customer support.

If problems persist after attempting these steps, please contact YS YOSE POWER customer service for further assistance.

8. SPECIFICATIONS

Feature	Detail
Model Number	AN 36V13Ah
Product Dimensions	4.39 x 2.95 x 14.1 inches
Battery Cell Composition	Lithium Ion
Battery Capacity	13 Amp Hours
Nominal Voltage	36V
Standard Discharge Current	10A
Max Discharge Current	20A
Recommended Motor Power	0-750W
Recommended Uses	Bicycle
Manufacturer	YOSE POWER



Driven Distance

Test condition: Temperature:20° Weight:70kg Motor:36v350w Pedal assist

36V13Ah

POWER



40-50km

ECO



145-155km

Image 8.1: Example of driven distance under test conditions (36V13Ah battery, 36V350W motor, 70kg weight, 20°C temperature). Power mode: 40-50km, ECO mode: 145-155km.

9. WARRANTY AND SUPPORT

Your YOSE POWER Ebike Battery comes with an 18-month guarantee from the date of purchase. Please retain your proof of purchase for warranty claims.

For technical support, warranty inquiries, or any other questions, please contact YS YOSE POWER customer service through the retailer where you purchased the product or visit the official YS YOSE POWER website for contact information.

Contact Information: Please refer to your purchase documentation or the YS YOSE POWER official website.