

## Manuals+

[Q & A](#) | [Deep Search](#) | [Upload](#)

manuals.plus /

› [TP-Link](#) /

› [TP-Link USB to Ethernet Adapter \(UE306\) User Manual](#)

## TP-Link UE306

# TP-Link USB to Ethernet Adapter (UE306) User Manual

Model: UE306

## INTRODUCTION

---

The TP-Link USB to Ethernet Adapter (UE306) provides a wired network connection for devices lacking an Ethernet port, such as Ultrabooks, notebooks, and the Nintendo Switch. It converts a USB 3.0 port into a Gigabit Ethernet port, offering faster and more stable network access compared to wireless connections. This manual provides instructions for setting up, operating, and maintaining your UE306 adapter.

## SAFETY INFORMATION

---

**Warning: This product contains chemicals known to the State of California to cause cancer and birth defects or other reproductive harm.**

Always handle electronic devices with care. Keep the adapter away from water, fire, and extreme temperatures. Do not attempt to disassemble or repair the device yourself.

## WHAT'S IN THE BOX

---

- USB 3.0 to Gigabit Ethernet Network Adapter (UE306)
- Quick Installation Guide

## SETUP

---

### General Setup

The UE306 adapter is designed for plug-and-play functionality on most modern operating systems. Follow these steps to establish a wired connection:

1. Connect the USB 3.0 male A connector of the UE306 adapter to an available USB port on your computer, laptop, or compatible device.
2. Connect an Ethernet cable from your router or network switch to the RJ45 port on the UE306 adapter.
3. The adapter's LED indicator will illuminate to show network status.



Image: The TP-Link UE306 USB to Ethernet Adapter, showing its USB 3.0 connector and RJ45 Ethernet port.



Image: A laptop connected to a router using the TP-Link UE306 adapter, illustrating a typical setup for wired internet access.

## Nintendo Switch Setup

For Nintendo Switch users, the UE306 provides a stable wired connection for enhanced gaming and faster downloads.

1. Connect the UE306 adapter to an available USB port on your Nintendo Switch dock. This can be one of the side USB ports or the back USB port.
2. Connect an Ethernet cable from your router to the RJ45 port on the UE306 adapter.
3. Ensure your Nintendo Switch is docked and powered on. The system should automatically detect the wired connection.

# Every Gamer's Best Friend



Image: A Nintendo Switch console connected to a TV, with the UE306 adapter providing a wired Ethernet connection to the dock for improved online gaming and download speeds.

# Plug & Play with Your Nintendo Switch

Plug in the adapter the way you like

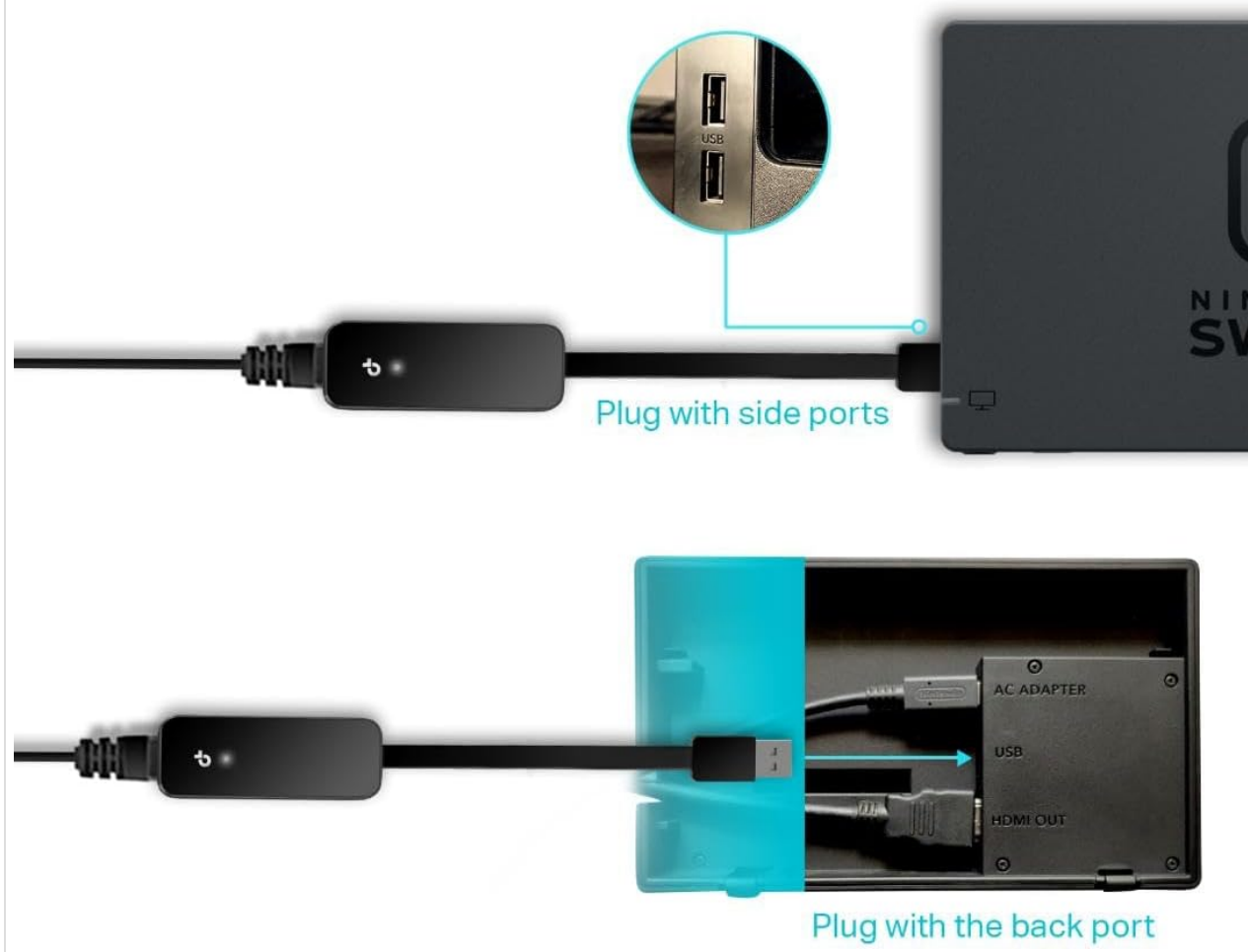


Image: Diagram showing how to connect the UE306 adapter to a Nintendo Switch dock, illustrating both side and back USB port connection options.

## Driver Installation (If Required)

The UE306 supports Plug & Play for Nintendo Switch, Windows 11/10/8.1, and Linux OS. For Windows 7/8 and macOS up to 10.15, a driver is required.

- For Windows 7/8 and macOS up to 10.15: Download the necessary driver from the official TP-Link website. Follow the on-screen instructions for installation.
- The adapter does not support Windows RT and Android.



Image: Visual representation of the UE306 adapter's compatibility with Windows, macOS, Nintendo Switch, and Linux operating systems.

## OPERATING INSTRUCTIONS

---

Once connected and drivers are installed (if necessary), the UE306 adapter functions as a standard wired network interface. Your device will automatically prioritize the wired connection over Wi-Fi if both are available.

- **Gigabit Ethernet Speed:** The adapter supports full 10/100/1000Mbps Gigabit Ethernet, providing high-speed data transfer for activities like file sharing, video conferencing, online gaming, and HD video streaming.
- **USB 3.0 Interface:** Utilizes USB 3.0 for faster and more stable data transmission. It is backward compatible with USB 2.0 and 1.1 ports, though performance may be limited by the slower USB standard.
- **LED Indicator:** An intuitive LED indicator on the adapter provides a quick visual cue of the network status.

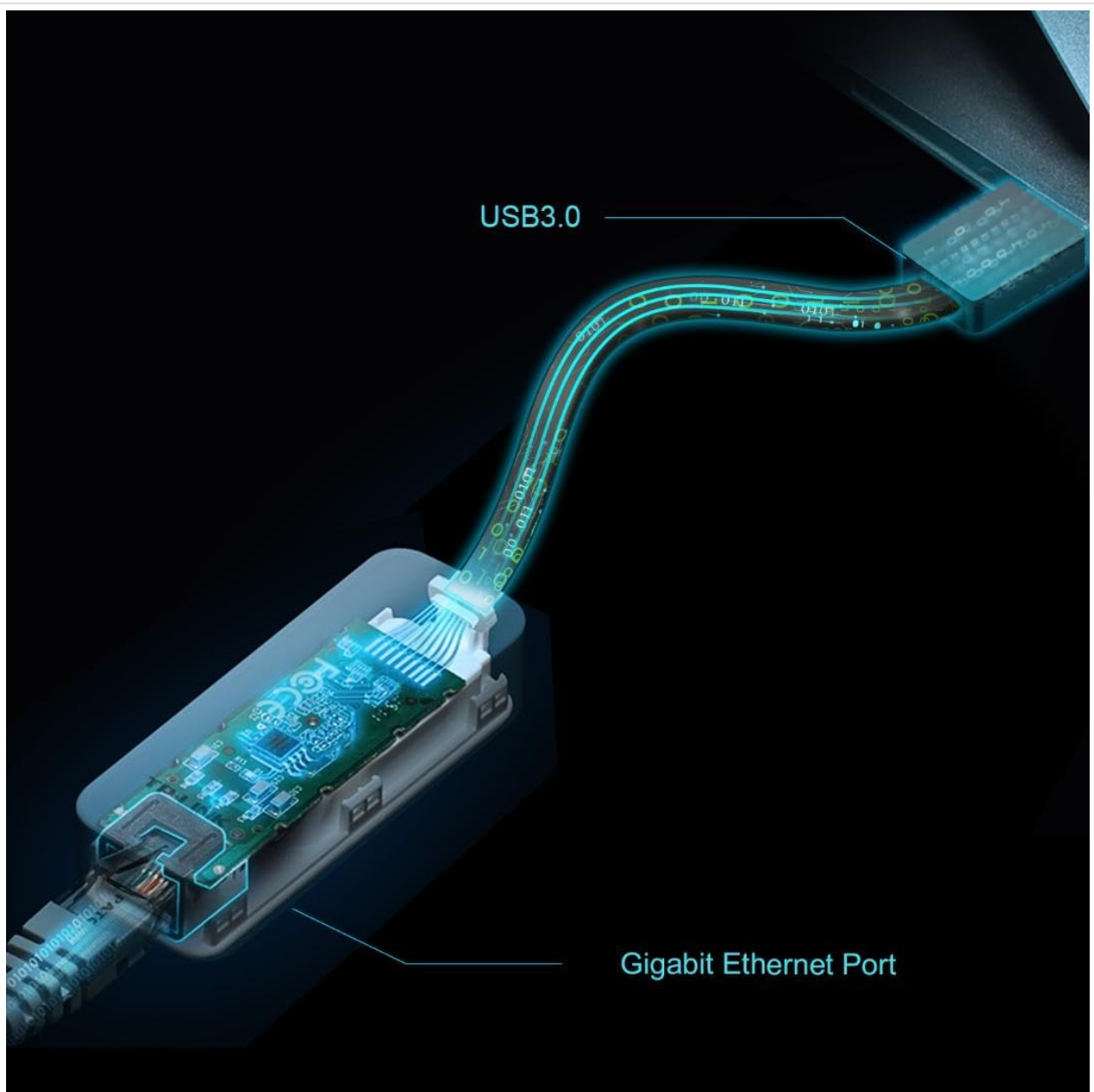


Image: An X-ray view of the UE306 adapter, highlighting the internal components responsible for USB 3.0 connectivity and Gigabit Ethernet data processing.

## MAINTENANCE

---

The TP-Link UE306 adapter requires minimal maintenance. To ensure optimal performance and longevity:

- Keep the adapter clean and free from dust. Use a soft, dry cloth for cleaning.
- Avoid exposing the adapter to extreme temperatures, humidity, or direct sunlight.
- Do not bend or twist the USB cable excessively.
- Store the adapter in a cool, dry place when not in use. Its foldable design makes it compact for storage and travel.



Image: The TP-Link UE306 adapter in its folded, compact state, demonstrating its portability and ease of storage.



Image: A diagram illustrating the compact dimensions of the UE306 adapter (2.8 inches long, 1 inch wide, 0.6 inches high).

## TROUBLESHOOTING

Problem	Possible Solution
No network connection after plugging in.	<ul style="list-style-type: none"> <li>• Ensure the Ethernet cable is securely connected to both the adapter and the router/switch.</li> <li>• Verify that the router/switch is powered on and functioning correctly.</li> <li>• Check the LED indicator on the adapter; if it's off, try a different USB port.</li> <li>• For Windows 7/8 or macOS up to 10.15, ensure the correct driver is installed from the TP-Link website.</li> <li>• Restart your computer or device.</li> </ul>
Slow network speed.	<ul style="list-style-type: none"> <li>• Ensure you are using a USB 3.0 port on your device for optimal performance.</li> <li>• Verify that your Ethernet cable is a Gigabit-compatible cable (Cat5e or higher).</li> <li>• Check your internet service provider's speed and your router's capabilities.</li> <li>• Ensure no other applications are consuming significant bandwidth.</li> </ul>

Problem	Possible Solution
Adapter not recognized by the device.	<ul style="list-style-type: none"><li>• Try plugging the adapter into a different USB port.</li><li>• Ensure your operating system is supported (Windows 11/10/8.1, Linux, Nintendo Switch are Plug &amp; Play; Windows 7/8, macOS up to 10.15 require drivers).</li><li>• Update your device's USB drivers.</li></ul>

## SPECIFICATIONS

Feature	Detail
Model	UE306
Hardware Interface	USB 3.0, Ethernet
Data Link Protocol	Gigabit Ethernet
Data Transfer Rate	1000 Megabits Per Second (Mbps)
Compatible Devices	Laptop, Desktop, Tablet, Nintendo Switch
Dimensions (L x W x H)	2.8 x 1.02 x 0.64 inches (71 x 26 x 16.2 mm)
Item Weight	1.12 ounces (20g)
Color	Black
Country of Origin	Vietnam

## WARRANTY AND SUPPORT

For warranty information, technical support, and driver downloads, please visit the official TP-Link website. You can find detailed support resources, FAQs, and contact information there.

Official TP-Link Support: <https://www.tp-link.com/us/support/>