

Manuals+

[Q & A](#) | [Deep Search](#) | [Upload](#)

manuals.plus /

- › [Gorenje](#) /
- › [Gorenje BM235SYW Microwave Oven User Manual](#)

Gorenje BM235SYW

Gorenje BM235SYW Microwave Oven User Manual

Model: BM235SYW

IMPORTANT SAFETY INSTRUCTIONS

Please read this manual carefully before operating your Gorenje BM235SYW microwave oven. Keep it for future reference. Failure to follow these instructions may result in electric shock, fire, or injury.

- Do not attempt to operate this oven with the door open as this can result in harmful exposure to microwave energy.
- Do not place any object between the oven front face and the door or allow soil or cleaner residue to accumulate on sealing surfaces.
- Do not operate the oven if it is damaged. It is particularly important that the oven door closes properly and that there is no damage to the: (1) door (bent), (2) hinges and latches (broken or loosened), (3) door seals and sealing surfaces.
- The oven should not be adjusted or repaired by anyone except properly qualified service personnel.
- Always ensure proper ventilation around the appliance.
- Do not heat liquids or other foods in sealed containers since they are liable to explode.

SETUP AND INSTALLATION

Unpacking

Carefully remove all packaging materials from the microwave oven. Check the appliance for any signs of damage. If damage is observed, do not install or operate the oven and contact your retailer immediately.

Placement and Ventilation

The Gorenje BM235SYW is designed for built-in installation. Ensure the cabinet opening meets the specified dimensions for proper fit and ventilation. Adequate airflow is crucial for the oven's performance and longevity.

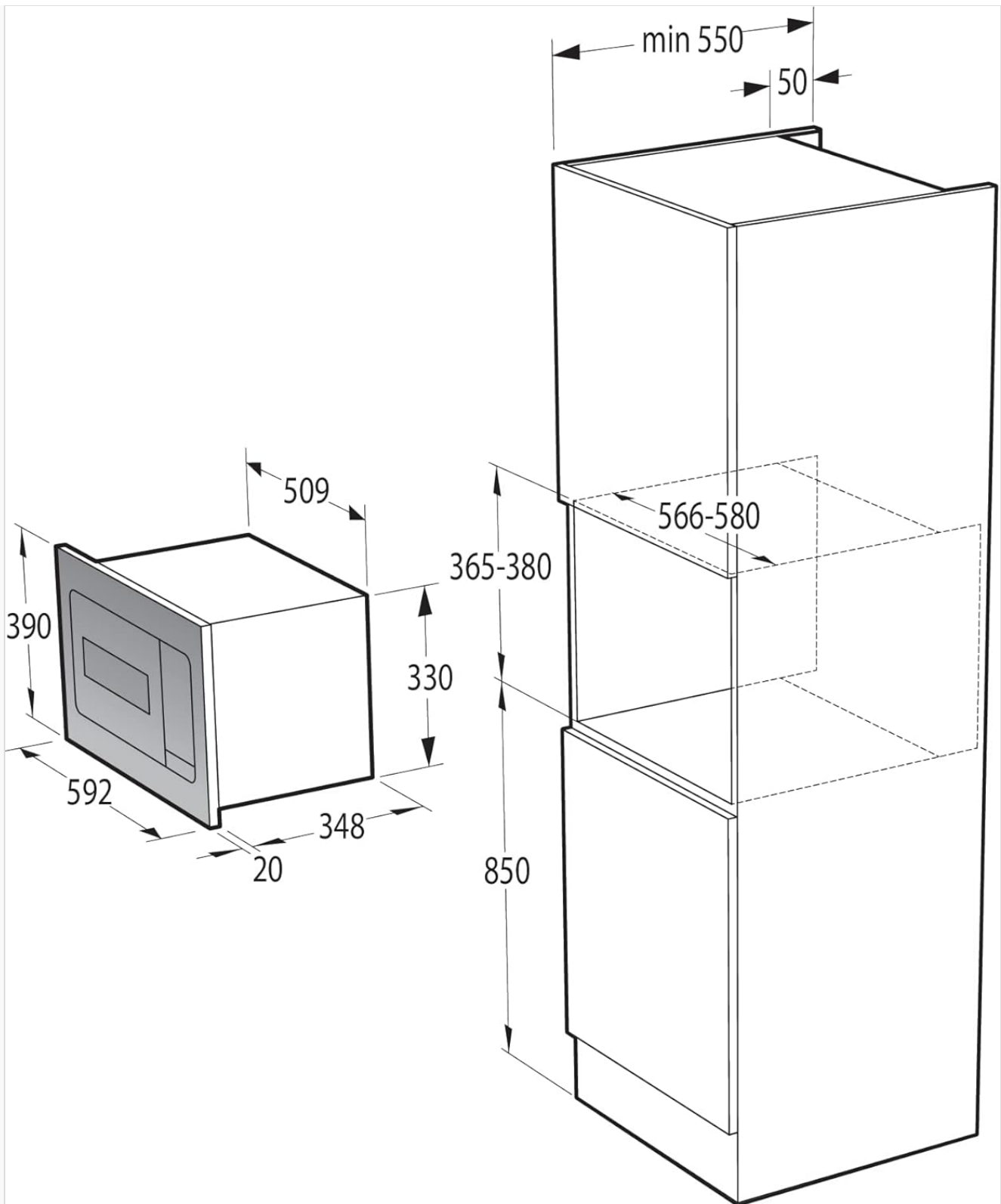


Figure 1: Installation dimensions for the Gorenje BM235SYW microwave oven. The diagram shows product dimensions of approximately 592mm width, 390mm height, and 348mm depth, with recommended cabinet opening dimensions for built-in installation.

- Minimum cabinet width: 550 mm.
- Recommended cabinet height: 365-380 mm.
- Recommended cabinet depth: 566-580 mm.
- Ensure a minimum clearance of 20 cm above the oven for proper ventilation.

Electrical Connection

Connect the oven to a properly grounded electrical outlet. Ensure the voltage and frequency match the

specifications on the rating label of the appliance. Do not use extension cords or multiple adapters.

Initial Cleaning

Before first use, wipe the interior and exterior of the oven with a soft, damp cloth. Remove any protective films or stickers.

OPERATING INSTRUCTIONS

Control Panel Overview

The Gorenje BM235SYW features an intuitive control panel with a digital display, a central rotary dial, and several function buttons.



Figure 2: Control panel of the Gorenje BM235SYW. The display shows '14 52', and the dial has symbols for various cooking modes and power levels.

- **Digital Display:** Shows time of day, cooking time, and selected functions.
- **Rotary Dial:** Used to set cooking time, power level, and select functions.

- **Function Buttons:** For specific operations like start, stop, quick start, or menu selection.

Basic Microwave Cooking

1. Place food in a microwave-safe container on the glass turntable.
2. Close the oven door securely.
3. Rotate the dial to select the desired microwave power level (up to 900 Watts, 9 levels available).
4. Rotate the dial again to set the cooking time.
5. Press the Start button to begin cooking.

Defrosting Function

The oven includes a defrosting function. Refer to the symbols on the rotary dial for specific defrosting modes (e.g., by weight or time). Follow the on-screen prompts to set the appropriate parameters for your food item.

Grill Function (Radiant Cooking)

This microwave oven features a radiant cooking mode, commonly known as a grill. Use the grill function for browning and crisping food. Place food on the metal rack provided (if applicable) to ensure even grilling. Do not use metal containers during microwave-only cooking.



Figure 3: Interior of the Gorenje BM235SYW, showing the stainless steel cavity, glass turntable, and a grill element at the top.

Regular cleaning and maintenance will ensure the longevity and efficient operation of your microwave oven.

Cleaning the Interior

- Always unplug the oven before cleaning.
- Wipe the interior cavity, door seals, and turntable with a soft cloth dampened with mild detergent and warm water.
- For stubborn food splatters, place a bowl of water with lemon slices inside and microwave for 5-10 minutes. The steam will loosen the residue, making it easier to wipe clean.
- The glass turntable can be removed and washed in warm soapy water or in a dishwasher.

Cleaning the Exterior

Clean the exterior surfaces with a soft, damp cloth. For stainless steel surfaces, use a specialized stainless steel cleaner to maintain its finish. Avoid abrasive cleaners or scouring pads, as they can scratch the surface.

TROUBLESHOOTING GUIDE

Before contacting service, please check the following common issues and solutions:

Problem	Possible Cause	Solution
Oven does not start	Power cord not plugged in; Door not closed properly; Fuse blown or circuit breaker tripped.	Ensure power cord is securely plugged in; Close the door firmly; Check household fuse/circuit breaker.
Food not heating	Incorrect cooking time or power level set; Microwave-safe dish not used.	Adjust cooking time/power; Use appropriate microwave-safe cookware.
Turntable not rotating	Turntable not correctly placed; Obstruction under turntable.	Ensure turntable is correctly seated on its support; Remove any obstructions.
Sparks or arcing inside oven	Metal objects in oven; Food residue build-up.	Remove all metal objects (utensils, foil); Clean oven interior thoroughly.

PRODUCT SPECIFICATIONS

Feature	Specification
Brand	Gorenje
Model Number	BM235SYW
Capacity	23 Litres
Product Dimensions (L x W x H)	50 x 50 x 28 cm

Feature	Specification
Weight	18 kg
Power (Microwave)	900 Watts
Number of Power Levels	9
Cooking Mode	Radiant (Grill)
Installation Type	Built-in
Material	Stainless Steel
Interior Coating	Stainless Steel
Noise Level	58 Sones
Control Type	Button, Rotary Dial

WARRANTY AND SUPPORT

For warranty information and customer support, please refer to the warranty card included with your purchase or contact your retailer. You can also visit the official Gorenje website for service contact details in your region.

When contacting support, please have your model number (BM235SYW) and serial number ready.

