

[Manuals.plus](#) /

> [Willpower](#) /

> Willpower 22-inch 270W Straight LED Light Bar User Manual

## Willpower YY-06-7D-22in-270-C

# Willpower 22-inch 270W Straight LED Light Bar User Manual

Model: YY-06-7D-22in-270-C

## INTRODUCTION

This manual provides comprehensive instructions for the installation, operation, and maintenance of your Willpower 22-inch 270W Straight LED Light Bar. Please read this manual thoroughly before installation and use to ensure proper function and safety.



Image: The Willpower 22-inch 270W Straight LED Light Bar, showcasing its design with triple rows of LEDs and a combination of spot and flood lenses.

## SAFETY INFORMATION

- Always disconnect the vehicle's battery before performing any electrical work.
- Ensure all wiring connections are secure and properly insulated to prevent short circuits.
- Do not look directly into the light bar when it is illuminated, as it can cause eye strain or damage.

- Mount the light bar securely to prevent detachment during vehicle operation.
- Verify local regulations regarding auxiliary lighting before installation and use.

## PACKAGE CONTENTS

---

The following items are included in your package:

- 1 x Willpower 22-inch Triple Row LED Light Bar
- Mounting bracket set (includes brackets, bolts, nuts, and washers)

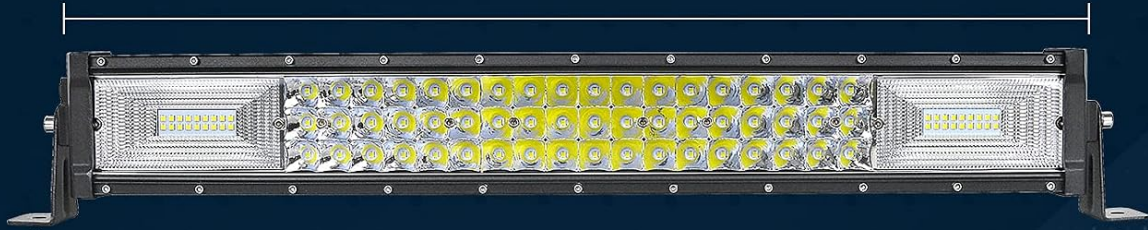
## SPECIFICATIONS

---

<b>Model Number</b>	YY-06-7D-22in-270-C
<b>Dimensions (L x W x H)</b>	22 x 3 x 2.5 inches (56.8 x 7.5 x 6.5 cm)
<b>Power Output</b>	270W
<b>Operating Voltage</b>	DC 10V-30V
<b>Color Temperature</b>	6000K (White)
<b>Beam Pattern</b>	Spot Flood Combo (Triple Row)
<b>Water Resistance</b>	IP67
<b>Housing Material</b>	Black Painted High Quality Aluminum
<b>Lens Material</b>	Shatterproof Lenses
<b>Lifespan</b>	Over 30,000 hours

# PRODUCT DIMENSION

530mm/20.8 inch



575mm/22.6 inch



600mm/23.6 inch



Installation hole distance: 575mm/22.6 inch

65mm/2.5 inch



90mm/3.5 inch



Image: Detailed product dimensions of the Willpower LED Light Bar, showing length, width, and height in millimeters and inches, along with mounting hole distances.

# PRODUCT SPECS

- ✓ Mutiny-angle Reflector
- ✓ High Light Density
- ✓ More Uniform Beam



Image: Close-up view highlighting key product specifications such as mutiny-angle reflector, high light density, and uniform beam, along with the high lumen quality chip for long service life and brightness.

## SETUP AND INSTALLATION

### Mounting

1. Identify a suitable mounting location on your vehicle (e.g., roof, front bumper, grille).
2. Use the provided adjustable mounting brackets to position the light bar. The brackets allow for multi-position installation.
3. Mark the drilling points for the brackets. Ensure the surface is flat and strong enough to support the light bar.
4. Drill pilot holes and securely fasten the brackets using the supplied hardware.
5. Attach the light bar to the mounted brackets and adjust the angle as desired. Tighten all fasteners to prevent movement.

### Wiring

1. Connect the positive (+) wire of the light bar to a fused 12V or 24V power source (depending on your vehicle's electrical system).
2. Connect the negative (-) wire of the light bar to a suitable ground point on the vehicle chassis.
3. It is recommended to use a wiring harness with a relay and switch (not included) for safe and convenient operation.
4. Ensure all connections are waterproofed and protected from abrasion.



Image: Examples of the Willpower LED Light Bar installed on the front and roof of different Jeep vehicles, demonstrating potential mounting locations.

## OPERATING INSTRUCTIONS

Once properly installed and wired, the Willpower LED Light Bar can be operated via the connected switch. The light bar features a spot-flood combo beam pattern, providing both focused long-distance illumination and wider area coverage.

# MADE OF HIGH ANTI-STATIC CREE CHIPS

Provide perfect light output up to 50,000 hours and reduce glare effectively

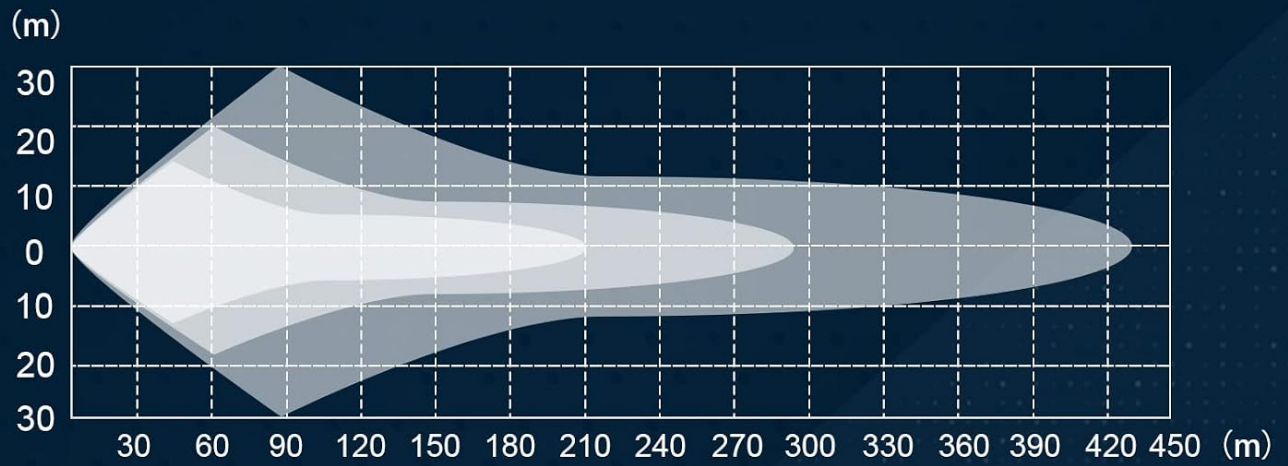


Image: A graph illustrating the light output pattern (beam spread) of the LED light bar, followed by a photograph demonstrating its illumination on a dark road at night.



Image: A split image showing the difference in visibility on a path at night, comparing ambient light conditions (top) with the enhanced illumination provided by the Willpower LED Light Bar (bottom).

## MAINTENANCE

---

### Cleaning

To maintain optimal light output and appearance, regularly clean the lens and housing of the light bar. Use a soft cloth and mild soap solution. Avoid abrasive cleaners or harsh chemicals that could damage the lens or finish.

### Inspection

Periodically inspect the mounting brackets and wiring for any signs of wear, corrosion, or looseness. Tighten any loose fasteners and repair or replace damaged wiring as needed.

### Water Resistance

The light bar is designed with an IP67 waterproof rating, meaning it is protected against dust ingress and immersion in

water up to 1 meter for 30 minutes. While durable, avoid prolonged submersion or high-pressure water jets directly on seals.

# Great Performance of Waterproof

High quality aluminum alloy body, durable to withstand any harsh condition.



Image: The Willpower LED Light Bar being splashed with water, illustrating its IP67 waterproof construction and high-quality aluminum alloy body designed to withstand harsh conditions.

# Heat Sink Design



## Fan shaped

Fan-shaped fuselage design, faster heat dissipation



## Heat Dissipation of Aluminum Film

Aluminum alloy fan design, fast heat conduction, fast heat dissipation

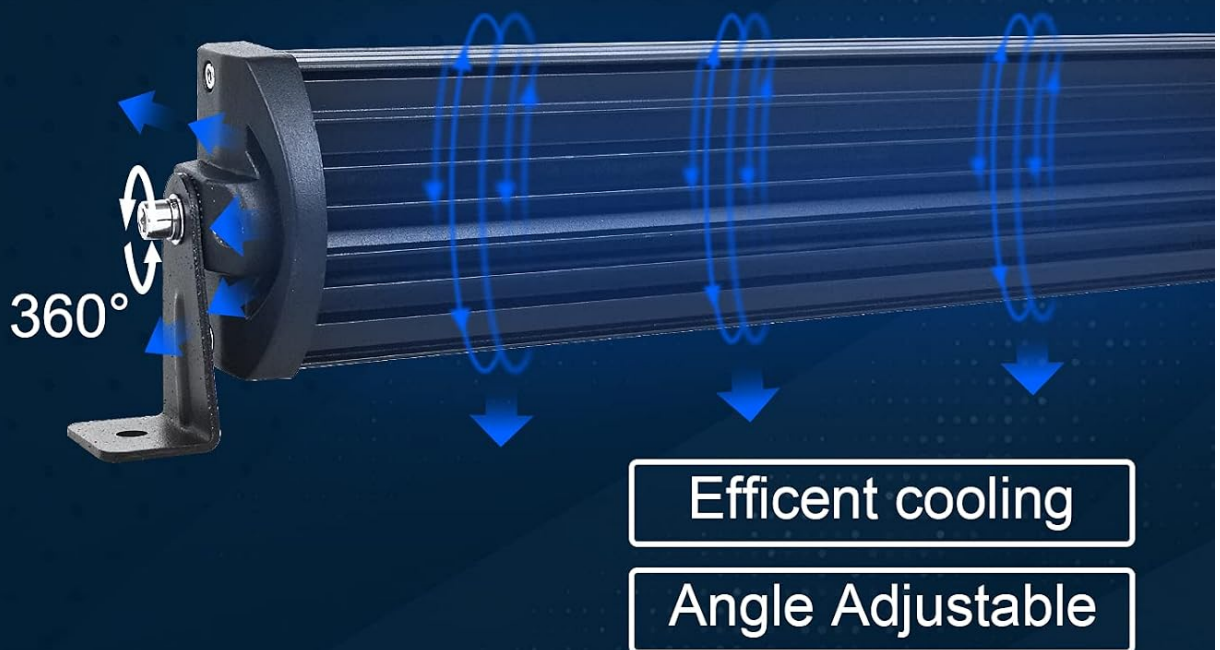


Image: Diagram illustrating the fan-shaped heat sink design of the LED light bar, which promotes efficient heat dissipation through aluminum alloy fins, ensuring optimal performance and longevity.

## TROUBLESHOOTING

- **Light Bar Not Illuminating:**

Check power connections, fuse, and ground wire. Ensure the switch is functioning correctly. Verify the operating voltage is within the 10V-30V range.

- **Dim or Flickering Light:**

Inspect wiring for loose connections or corrosion. Check for adequate voltage supply. A weak ground connection can also cause this issue.

- **Condensation Inside Lens:**

While the light bar is IP67 rated, extreme temperature changes can sometimes cause minor condensation. This usually dissipates with use. If persistent or excessive, inspect seals for damage.

## WARRANTY AND SUPPORT

---

Willpower products are designed for durability and performance. For specific warranty details, please refer to the product packaging or contact Willpower customer support directly. Keep your purchase receipt as proof of purchase. For technical assistance or further inquiries, please visit the official Willpower website or contact their customer service department.

