

Manuals+

[Q & A](#) | [Deep Search](#) | [Upload](#)

Manuals.plus /

- › [Cargifak](#) /
- › Cargifak 4-Light Kitchen Island Lighting Instruction Manual

Cargifak CKIL4806-4P-BK

Cargifak 4-Light Kitchen Island Lighting Instruction Manual

Model: CKIL4806-4P-BK

Brand: Cargifak

PRODUCT OVERVIEW

The Cargifak 4-Light Kitchen Island Lighting fixture is designed to provide illumination with a rustic farmhouse aesthetic. It features a high-quality metal frame with a vintage wood grain finish, suitable for various interior styles including farmhouses, coastal, and traditional spaces. This linear chandelier is equipped with four E26 bulb sockets and offers adjustable height for versatile installation.



Figure 1: Overview of the 4-Light Kitchen Island Lighting fixture.

SAFETY INFORMATION

Always disconnect power at the main fuse or circuit breaker box before beginning installation. Consult a qualified electrician if you are unsure about the installation process. Ensure all electrical connections comply with local codes and ordinances. Do not exceed the maximum wattage specified for the bulbs.

PACKAGE CONTENTS

Verify that all components are present before beginning installation. The package should include:

- Light fixture assembly (metal frame, glass lampshades, bulb sockets)
- Canopy
- Adjustable extension rods (2x 3.95", 2x 7.9", 6x 11.8")
- Mounting hardware and wire connectors
- Installation instructions



Figure 2: Key components of the light fixture, including the swivel head for angled ceilings, the metal frame with wood grain finish, and the clear glass lampshade.

SETUP AND INSTALLATION

This fixture is hardwired and designed for quick and easy installation. Follow the included installation instructions carefully. The fixture's height can be adjusted to suit different needs and ceiling heights, making it suitable for both flat and sloped ceilings.

Dimensions and Adjustable Height

The overall product dimensions are approximately 36.6 inches (L) x 67 inches (H Max). The canopy measures 13.8 inches (L) x 4.35 inches (W). The fixture includes various extension rod lengths (2x 3.95", 2x 7.9", 6x 11.8") to customize the hanging height.

Dimensions

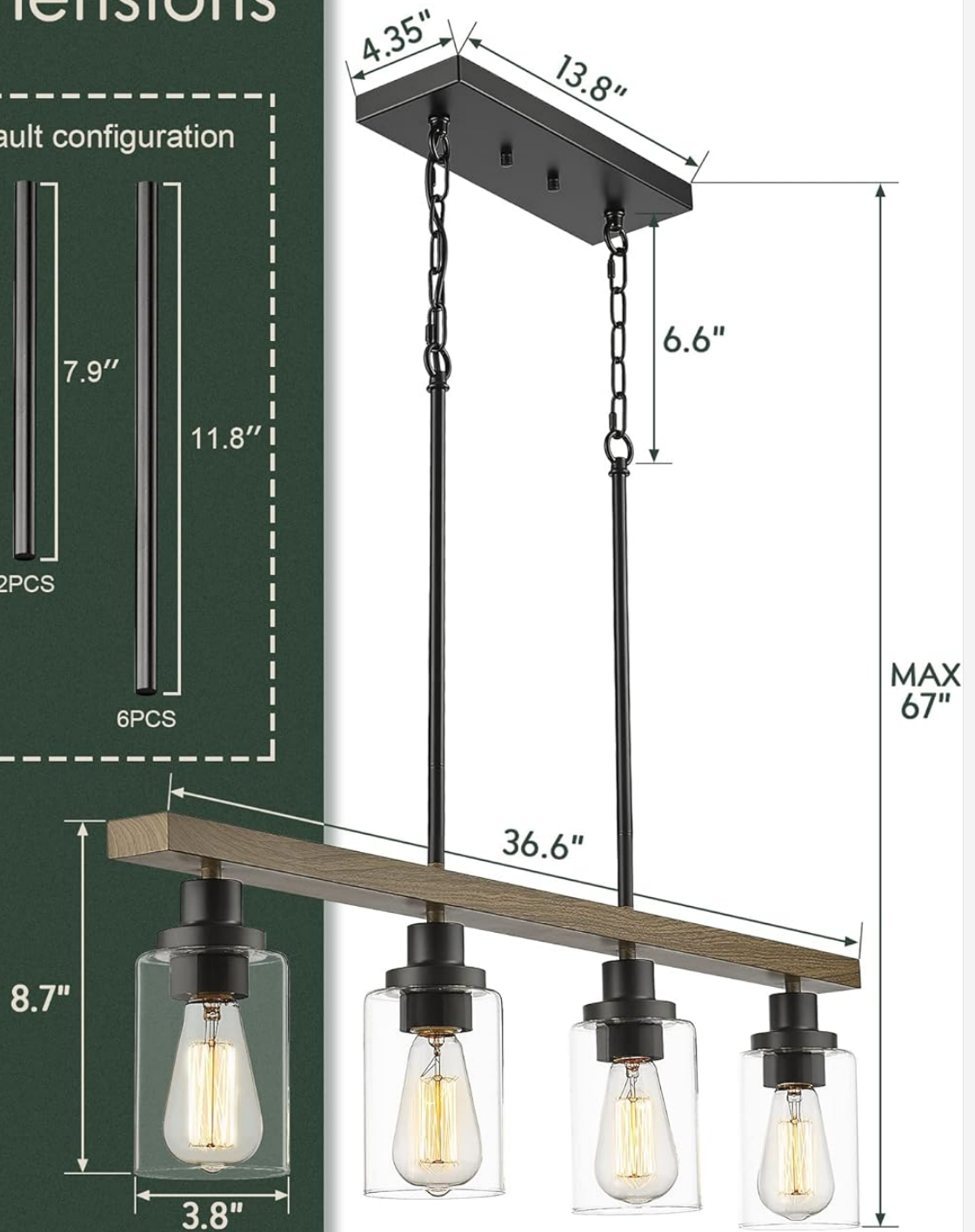
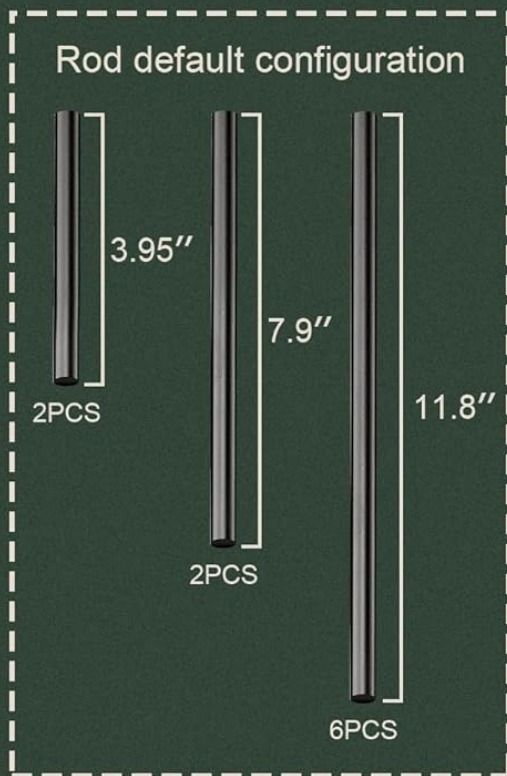


Figure 3: Detailed dimensions of the light fixture and available extension rod configurations.

Electrical Connection

Ensure the power is off before connecting wires. Connect the fixture's wires to the corresponding household wires according to standard electrical practices. Secure all connections with wire connectors.

OPERATING INSTRUCTIONS

Bulb Requirements

This pendant lighting fixture requires four E26 base bulbs. It is compatible with LED, CFL, or Edison bulbs, with a maximum wattage of 60W per bulb. For dimmable functionality, use dimmable bulbs and a compatible dimmer switch (dimmer and bulbs are not included).



E26 BULB COMPATIBLE
(Bulb is not included)



Figure 4: Bulb compatibility information for the fixture.

Usage Environment

This fixture is designed for indoor use only. It is ideal for kitchen islands, dining rooms, and other indoor living spaces.



Kitchen Island

Figure 5: Fixture installed in a kitchen island setting.



Dining Room

Figure 6: Fixture installed in a dining room setting.

MAINTENANCE

To maintain the appearance and functionality of your light fixture, follow these guidelines:

- **Cleaning:** Turn off the power and allow the fixture to cool before cleaning. Wipe the metal frame with a soft, dry cloth. For glass shades, use a mild glass cleaner applied to a cloth, then wipe the glass. Avoid abrasive cleaners or solvents that may damage the finish.
- **Bulb Replacement:** Ensure the power is off and bulbs have cooled before replacing. Screw in new E26 bulbs, ensuring they do not exceed the 60W maximum.

- **Regular Inspection:** Periodically check all connections and mounting hardware to ensure they remain secure.

TROUBLESHOOTING

Problem	Possible Cause	Solution
Light does not turn on.	Power supply is off. Loose wire connections. Faulty bulb. Circuit breaker tripped.	Ensure power is on at the switch and circuit breaker. Check and secure all wire connections (ensure power is off first). Replace bulb with a new, working one. Reset the circuit breaker.
Light flickers.	Loose bulb. Incompatible dimmer switch/bulb. Loose wiring.	Tighten the bulb. Ensure dimmable bulbs are used with a compatible dimmer. Check and secure wire connections (ensure power is off first).
Fixture appears crooked or unstable.	Improper mounting. Loose mounting hardware.	Re-check installation steps and ensure proper alignment. Tighten all mounting screws and hardware.

If problems persist after attempting these solutions, please contact customer support.

SPECIFICATIONS

Brand	Cargifak
Model Number	CKIL4806-4P-BK
Product Dimensions	93.98 x 12.7 x 170.18 cm (36.6"L x 67"H Max)
Weight	4.99 kg
Color	Wood Grain
Material	Metal
Style	Country Rustic
Light Fixture Form	Chandelier
Room Type	Kitchen, Dining Room
Specific Uses	Indoor use only
Power Source	Corded Electric
Bulb Base	E26
Max Wattage per Bulb	60W

WARRANTY AND SUPPORT

Cargifak is committed to providing high-quality products and services. For any issues or inquiries regarding your product, please contact Cargifak customer support.

Return Policy: This product is eligible for a refund or replacement within 30 days of purchase, as per the standard return policy.

For further assistance, please refer to the contact information provided with your purchase or visit the official Cargifak website.

Note: Specific warranty details may vary. Please retain your proof of purchase for any warranty claims.

