

Manuals+

[Q & A](#) | [Deep Search](#) | [Upload](#)

manuals.plus /

- › [Human Touch](#) /
- › [Human Touch CERTUS Zero Gravity Massage Chair Instruction Manual](#)

Human Touch CERTUS

Human Touch CERTUS Zero Gravity Massage Chair Instruction Manual

Model: CERTUS (100-CERTUS-004)

1. SAFETY INFORMATION

Please read all instructions carefully before using your Human Touch CERTUS massage chair. Retain this manual for future reference.

- Always assemble the chair according to the instructions provided.
- Do not exceed the maximum weight capacity of 285 pounds (129 kg).
- Be cautious when using the chair's adjustable features to avoid pinching or injury.
- Ensure the chair is placed on a stable, level surface.
- Keep children and pets away from the chair's moving parts.
- Unplug the chair from the power outlet when not in use or before cleaning.

2. PRODUCT OVERVIEW

The Human Touch CERTUS Zero Gravity Massage Chair is designed to provide a comprehensive and customizable massage experience. It features advanced S- and L-track massagers that follow the natural curvature of your spine, extending from your neck to your glutes and thighs. The chair offers 11 auto-programmed massage options, dual lumbar and calf heat, and orbital calf and foot massage for targeted relief. Built-in Altec Lansing Premium Sound System enhances the relaxation experience.



Image 2.1: The Human Touch CERTUS Zero Gravity Massage Chair.

Your browser does not support the video tag.

Video 2.2: An overview of the Certus Massage Chair features and functionality.

3. COMPONENTS

The Human Touch CERTUS massage chair package includes the following:

- Massage Chair Main Unit
- Side Panels (for assembly)
- Power Cord
- User Manual (this document)

4. SETUP

Before assembly, ensure you have adequate space. The assembled chair requires a doorway clearance of 28.5

inches (72.4 cm). It is recommended to assemble the chair in its desired room of use.

4.1 Unpacking and Placement

1. Carefully remove all packaging materials.
2. Place the main chair unit in the desired location, ensuring sufficient space around it for reclining and movement.

4.2 Assembly

Refer to the detailed assembly diagrams provided with your chair for specific steps. Generally, assembly involves attaching the side panels to the main unit. Ensure all connections are secure before proceeding.

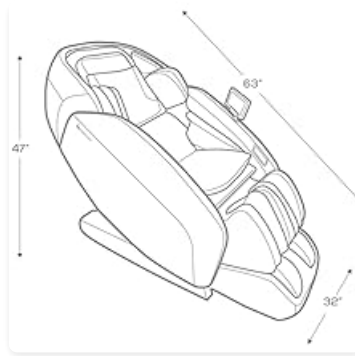


Image 4.1: Chair dimensions for placement and doorway clearance.

4.3 Power Connection

Connect the power cord to the chair's power inlet and then to a grounded electrical outlet. Ensure the power switch (if present) is in the OFF position before plugging in.

5. OPERATING INSTRUCTIONS

The Human Touch CERTUS offers a user-friendly interface for controlling your massage experience.

5.1 Quick Controls

Easy-access quick controls are located on the side of the chair for immediate adjustments.



Image 5.1: Quick control panel for basic adjustments.

5.2 Touch Screen Tablet Control

For full control and access to all features, use the integrated touch screen tablet.



Image 5.2: Touch screen tablet interface for advanced settings.

5.3 Auto-Programmed Messages

Select from 11 auto-wellness programs designed for various needs, such as relaxation, energy renewal, and muscle lengthening. These programs adjust position, speed, duration, and pressure automatically.

5.4 Zero Gravity Recline

Activate the zero-gravity position to elevate your legs above your heart, promoting circulation and recovery. This position cradles your back for optimal comfort.



Image 5.3: The chair reclined into the zero gravity position.

5.5 Heat Functions

Engage the dual lumbar and calf heat zones for soothing warmth that helps relieve tension and promote blood flow.

5.6 Orbital Calf & Foot Massage

The extending foot and calf massager provides an outer orbital massage to soothe tired calves and overworked feet. The Acupoint Detection System applies pressure to key healing points.

5.7 Built-in Speakers

Connect your device via Bluetooth to the built-in Altec Lansing Premium Sound System for an immersive audio experience during your massage.

Altec Lansing Premium Sound System

Enjoy premium sound for music, eBooks, and more. This truly immersive massage experience places peak relaxation mode at the touch of a button.



Image 5.4: Integrated Altec Lansing Premium Sound System speaker.

6. MAINTENANCE

6.1 Cleaning

To clean your Human Touch CERTUS massage chair, use a soft, damp cloth. Avoid using harsh chemicals, abrasive cleaners, or solvents, as these can damage the faux leather material and stainless steel frame. Spot clean as needed.

6.2 Storage

When not in use for extended periods, store the chair in a cool, dry place away from direct sunlight and extreme temperatures.

7. TROUBLESHOOTING

If you encounter any issues with your massage chair, please refer to the following general troubleshooting steps:

- **No Power:** Ensure the power cord is securely plugged into both the chair and a working electrical outlet. Check if the power switch is on.
- **Massage Not Activating:** Verify that a massage program has been selected on the control tablet or quick controls.
- **Unusual Noises:** If you hear unusual noises, immediately turn off the chair and unplug it. Contact customer support.
- **Controls Unresponsive:** Try restarting the chair by unplugging it for a few minutes and then plugging it back in.

For persistent issues or specific error messages, please contact Human Touch customer support.

8. SPECIFICATIONS

Feature	Specification
Brand	Human Touch
Model Name	CERTUS
Model Number	100-CERTUS-004
Color	Moon
Material	Faux Leather, Foam (Fill), Stainless Steel (Frame)
Product Dimensions (D x W x H)	63"D x 32"W x 47"H (160 cm x 81 cm x 119 cm)
Item Weight	252 Pounds (114.3 kg)
Maximum Weight Recommendation	285 Pounds (129 kg)
Massage Tracks	S- and L-track
Auto Programs	11
Heat Zones	Dual Lumbar & Calf
Foot & Calf Massage	Orbital Calf & Foot Reflexology
Speakers	Built-in Altec Lansing Premium Sound System
Required Assembly	Yes
UPC	045915830137

9. WARRANTY AND SUPPORT

9.1 Manufacturer Warranty

The Human Touch CERTUS Zero Gravity Massage Chair comes with a 5-year limited manufacturer warranty. Please refer to the warranty card included with your purchase for full terms and conditions.

9.2 Customer Support

For technical assistance, warranty claims, or any questions regarding your Human Touch CERTUS massage chair, please visit the official Human Touch website or contact their customer service department. Contact information can typically be found on the brand's website or your purchase documentation.