

Manuals.plus /

- › carlett /
- › Carlett Classic Duo Lett430 Folding Shopping Cart User Manual

carlett LETT430

Carlett Classic Duo Lett430 Folding Shopping Cart User Manual

Model: LETT430 | Brand: Carlett

1. INTRODUCTION

The Carlett Classic Duo Lett430 Folding Shopping Cart is engineered for convenience and functionality, designed to enhance your shopping experience. This versatile cart features a robust 4-wheel system, an ergonomic adjustable handle, and a safety brake, ensuring exceptional mobility and stability. It includes a spacious 53-liter main bag and a 10-liter insulated bag, perfect for keeping your groceries fresh. Its compact foldable design allows for easy storage and transport.





Figure 1: Carlett Classic Duo Lett430 Folding Shopping Cart.

2. SAFETY INSTRUCTIONS

To ensure safe operation and prevent injury or damage, please adhere to the following safety guidelines:

- **Do Not Exceed Maximum Load:** The maximum load capacity for this cart is 25 kg. Overloading can compromise stability and lead to damage or injury.
- **Engage Safety Brake:** Always engage the safety brake when the cart is stationary, especially on inclines or uneven surfaces, to prevent unintended movement.
- **Supervise Children:** Keep children away from the cart during assembly, folding, or when it is loaded, to prevent accidents.
- **Use on Stable Surfaces:** Operate the cart on stable, level surfaces. Avoid steep inclines or rough terrain that could cause the cart to tip over.
- **Inspect Before Use:** Before each use, check all components, especially the wheels and frame, for any signs of damage or wear. Do not use if damaged.
- **Proper Folding:** Ensure the cart is fully and securely folded before storage or transport to prevent accidental unfolding.

3. PRODUCT COMPONENTS

Familiarize yourself with the main components of your Carlett Classic Duo Lett430:

- **Lightweight Frame:** Durable and resistant aluminum frame.
- **Adjustable Ergonomic Handle:** For comfortable pushing or pulling.
- **Main Shopping Bag (53L):** Large capacity, expandable, and waterproof polyester bag.
- **Insulated Front Bag (10L):** Ideal for fresh or frozen items.
- **Rear Pocket:** For personal items or small accessories.
- **Side Mesh Pocket:** For additional storage or quick access items.
- **Front Swivel Wheels (360°):** Provide excellent maneuverability.
- **Rear Wheels:** Fixed, durable, and removable for compact storage.
- **Safety Brake:** Located on the rear wheels for secure parking.





Figure 2: Front view highlighting bag features.



Figure 3: Detail of the insulated bag.



Figure 4: Detail of the 360-degree swivel front wheels.

4. SETUP AND ASSEMBLY

The Carlett Classic Duo Lett430 comes pre-assembled. Follow these steps to prepare it for use:

1. **Unfolding the Cart:** Gently pull the frame apart until it locks into its open position. Ensure all locking mechanisms are securely engaged.
2. **Attaching/Detaching Wheels (if removed):** The rear wheels are designed to be removable for more compact storage. To attach, align the wheel axle with the receiver on the frame and push until it clicks into place. To detach, press the release button (if present) and pull the wheel off. The front wheels are typically fixed.
3. **Adjusting the Handle:** Press the adjustment buttons on the handle and extend or retract the handle to your desired height. Release the buttons to lock the handle in place. Ensure it is securely locked before use.







Figure 5: Cart in folded position.



Figure 6: Handle adjustment mechanism.

5. OPERATING INSTRUCTIONS

Using your Carlett Classic Duo Lett430 is straightforward:

1. **Pushing/Pulling (4-Wheel Mode):** With all four wheels on the ground, the cart can be easily pushed or pulled. The 360° swivel front wheels provide excellent maneuverability in tight spaces.
2. **Converting to 2-Wheel Mode:** For navigating stairs or curbs, you can tilt the cart back onto its two rear wheels. This allows for easier pulling over obstacles.
3. **Using the Safety Brake:** To engage the brake, press down on the lever located near the rear wheels until it locks. To release, lift the lever. Always engage the brake when the cart is stationary.
4. **Loading the Bags:**
 - **Main Bag:** Open the top flap and place your groceries inside. Ensure heavy items are at the bottom for stability.
 - **Insulated Bag:** Use this front pocket for items requiring temperature control, such as frozen foods or cold drinks.
 - **Rear Pocket & Side Mesh Pocket:** Utilize these for smaller items, personal belongings, or frequently accessed

items.

5. **Folding for Storage:** To fold the cart, release the locking mechanisms on the frame (refer to assembly instructions for specific points) and collapse the cart. The handle can also be retracted for maximum compactness.



Figure 7: Cart in use.



Figure 8: Safety brake detail.

6. MAINTENANCE AND CARE

Proper maintenance will extend the life of your Carlett Classic Duo Lett430:

- **Cleaning the Bag:** The polyester bag is waterproof. Wipe it clean with a damp cloth and mild soap if necessary. Do not machine wash or tumble dry. Allow to air dry completely before folding or storing.
- **Cleaning Wheels:** Periodically check the wheels for debris (hair, lint, dirt) and remove any obstructions to ensure smooth rolling. Wipe the wheels and axles with a damp cloth.
- **Frame Care:** Wipe the metal frame with a damp cloth. Avoid abrasive cleaners.
- **Storage:** Store the cart in a dry, cool place, away from direct sunlight and extreme temperatures. Ensure it is clean and dry before storing to prevent mold or mildew.

7. TROUBLESHOOTING

Here are solutions to common issues you might encounter:

Problem	Possible Cause	Solution
Wheels not turning smoothly	Debris caught in wheels or axles; worn wheels.	Remove any debris. If wheels are worn, contact customer support for replacements.
Cart not folding correctly	Obstruction in folding mechanism; locking mechanisms not disengaged.	Check for and remove any obstructions. Ensure all release buttons or levers are fully pressed/pulled.
Safety brake not engaging	Brake mechanism obstructed or misaligned.	Check for debris around the brake lever and mechanism. Ensure the lever moves freely. If the issue persists, contact customer support.
Bag appears smaller than stated capacity	Bag is not fully expanded.	Ensure the bag is fully extended and not compressed at the bottom or sides.

8. SPECIFICATIONS

Detailed specifications for the Carlett Classic Duo Lett430:

Feature	Detail
Model Number	LETT430
Color	Green
Unfolded Dimensions (L x W x H)	62 x 42 x 102 cm
Folded Dimensions (L x W x H)	42 x 30 x 62 cm
Product Weight	4.6 kg
Maximum Load Capacity	25 kg
Main Bag Capacity	53 Liters
Insulated Bag Capacity	10 Liters
Main Material	Polyester
Special Features	Removable bag and wheels, foldable, waterproof bag, safety brake, adjustable handle.

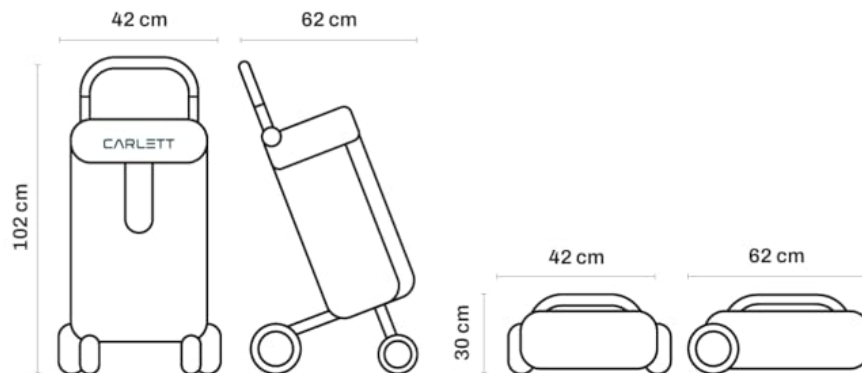


Figure 9: Product dimensions and features diagram.

9. WARRANTY AND SUPPORT

Carlett products are manufactured to high-quality standards. For information regarding warranty coverage, product support,

or to purchase replacement parts, please contact Carlett customer service directly. Keep your purchase receipt as proof of purchase for any warranty claims.

You can visit the official Carlett store for more information and contact details: [Carlett Store on Amazon](#)