



[Manuals.plus](#) /

> [BASERY](#) /

> VR Headset Without Remote Control, Compatible iPhone & Android Phones in 3.5"-7.2" Screen, Lightweight & Adjustable HD 3D Virtual Reality Glasses for Kids or Adults, Black (G10-VR) User Manual

BASERY G10-VR

BASERY G10-VR Headset User Manual

Model: G10-VR

1. INTRODUCTION

This manual provides detailed instructions for the setup, operation, and maintenance of your BASERY G10-VR Headset. Please read this manual carefully before using the product to ensure optimal performance and longevity.

The BASERY G10-VR Headset is designed to provide an immersive virtual reality experience for users with compatible smartphones. It is lightweight, adjustable, and features HD 3D virtual reality capabilities.



Figure 1: BASERY G10-VR Headset Overview

This image shows the BASERY G10-VR Headset from a front-side angle, highlighting its sleek black design and adjustable head strap. The front panel features a subtle blue light accent.

Key Features:

- **Smartphone Compatibility:** Supports smartphones with screen sizes from 3.5" to 7.2", including various iPhone and Android models.
- **Comfortable Design:** Features a fully adjustable head strap, eyesight protection system, and a soft nose piece for extended wear comfort.
- **Adjustable Visuals:** Offers FD (Focal Distance) and OD (Object Distance) adjustments to optimize viewing angle and reduce distortion, suitable for users with up to 600 degrees of myopia.
- **Lightweight:** Designed for ease of use and portability.
- **Detachable Spongy Patch:** For easy cleaning and hygiene.

2. SETUP GUIDE

2.1 Inserting Your Smartphone

1. Open the front cover of the VR headset.
2. Carefully place your smartphone into the designated slot, ensuring it is centered and securely held. The headset is compatible with phones ranging from 3.5 to 7.2 inches.
3. Close the front cover.

Easy To Insert The Phone

Suitable 3.5–7.2 inch smartphone

Lightweight and portable Shinecon G10, bringing you HD movie-watching experience



Figure 2: Smartphone Insertion

This image illustrates the process of inserting a smartphone into the VR headset. Arrows indicate the direction to slide the phone into the front compartment, emphasizing compatibility with 3.5-7.2 inch screens.

2.2 Adjusting Pupil Distance (IPD)

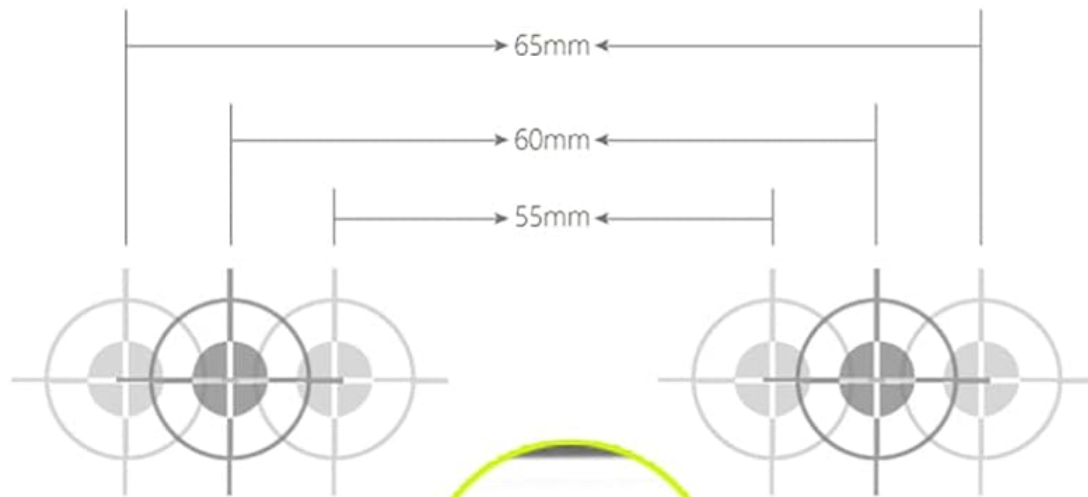
The interpupillary distance (IPD) adjustment ensures that the lenses align correctly with your eyes, providing a clear and comfortable viewing experience. This headset supports an IPD range of 58.5-70.5 mm.

1. Locate the pupil distance adjustment knob, typically found on the top of the headset.
2. While wearing the headset, rotate the knob until the image appears clear and comfortable for both eyes.

Pupil Distance Adjusting Function

The adoption of large lens brings your broader view

Adjustable pupil distance design makes it possible for you to watch movie at any time and makes it suitable for people with short sight edness under 400 degree.



PUPIL DISTANCE
ADJUSTING FUNCTION

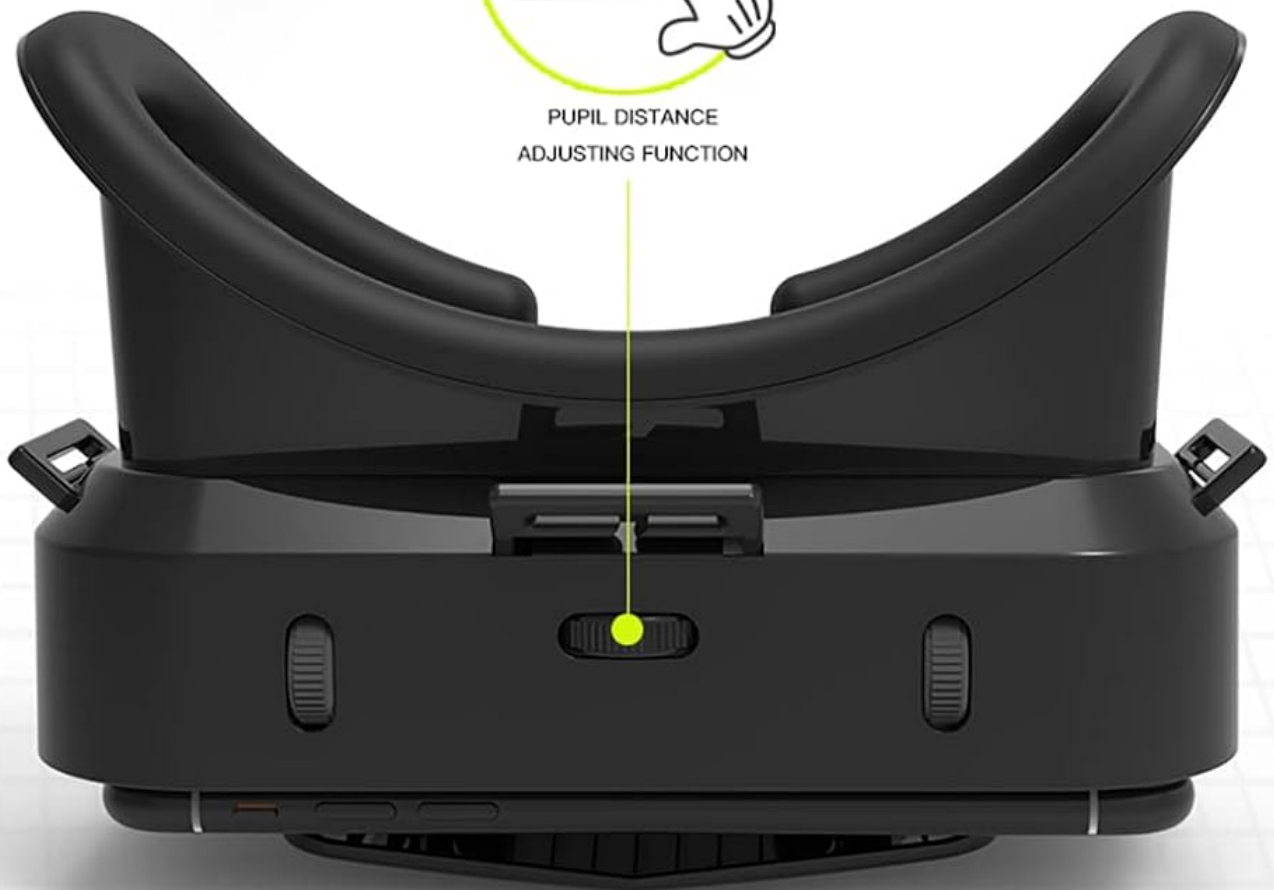


Figure 3: Pupil Distance Adjustment

This diagram shows the mechanism for adjusting the pupil distance on the VR headset. It highlights the knob used for adjustment and illustrates how different settings (e.g., 55mm, 60mm, 65mm) affect the lens separation to match the user's eye distance.

2.3 Adjusting Focal Distance

Adjusting the focal distance helps to achieve a sharp image, especially for users with varying degrees of vision. This headset is compatible with users experiencing up to 600 degrees of myopia.

1. Locate the focal distance adjustment controls, usually on the sides or bottom of the headset.
2. Adjust these controls until the image on your smartphone screen is perfectly clear.

FLEXIBLE ADJUSTMENT



Figure 4: Flexible Adjustments (Focal Distance and Pupillary Distance)

This image displays the underside of the VR headset, pointing out the controls for both focal distance adjustment and pupillary distance, indicating the flexibility in customizing the viewing experience for different users.

2.4 Head Strap Adjustment

The adjustable head strap ensures a secure and comfortable fit, distributing the headset's weight evenly to reduce pressure on your face and head.

1. Place the headset on your head.
2. Adjust the straps on the sides and top until the headset feels snug but not too tight. Ensure the weight is balanced.

Comfortable Material

Ergonomic Design

The adoption of suspension head band can release the stress on your head, and the lightweight body decreases the oppression on your face



Figure 5: Ergonomic Design and Comfort

This image illustrates the ergonomic design of the headset, showing how the adjustable suspension head strap and lightweight body are

designed to reduce pressure and provide comfort during extended use. It includes diagrams showing stress distribution on the head and face.

3. OPERATING INSTRUCTIONS

Follow these steps to begin your virtual reality experience:

1. **Download VR Content:** Download VR movies or VR games on your smartphone from an appropriate app store. Ensure the content is in a 3D right-and-left format for optimal viewing.
2. **Insert Phone:** As described in Section 2.1, securely insert your smartphone into the VR headset.
3. **Adjust Headset:** Adjust the head strap, pupil distance, and focal distance as needed to achieve a clear and comfortable view.
4. **Enjoy:** Immerse yourself in your virtual reality world.



Figure 6: Step-by-Step Usage Guide

This image provides a four-step visual guide on how to use the VR headset: 1) Download VR content, 2) Insert phone, 3) Adjust headset, and 4) Enjoy the VR experience.

3.1 Immersive Viewing Experience

The BASERY G10-VR Headset transforms your smartphone into a portable IMAX cinema, allowing you to enjoy visually stunning viewing experiences and a wide variety of 3D games.

Portable IMAX Cinema

Enjoy a visually stunning viewing experience



Figure 7: Portable IMAX Cinema Experience

This image depicts a user wearing the VR headset, seemingly immersed in a virtual environment, with a large gorilla-like creature in the background, illustrating the "portable IMAX cinema" experience.

Enjoy Various kinds of 3D Games

3D gaming experience

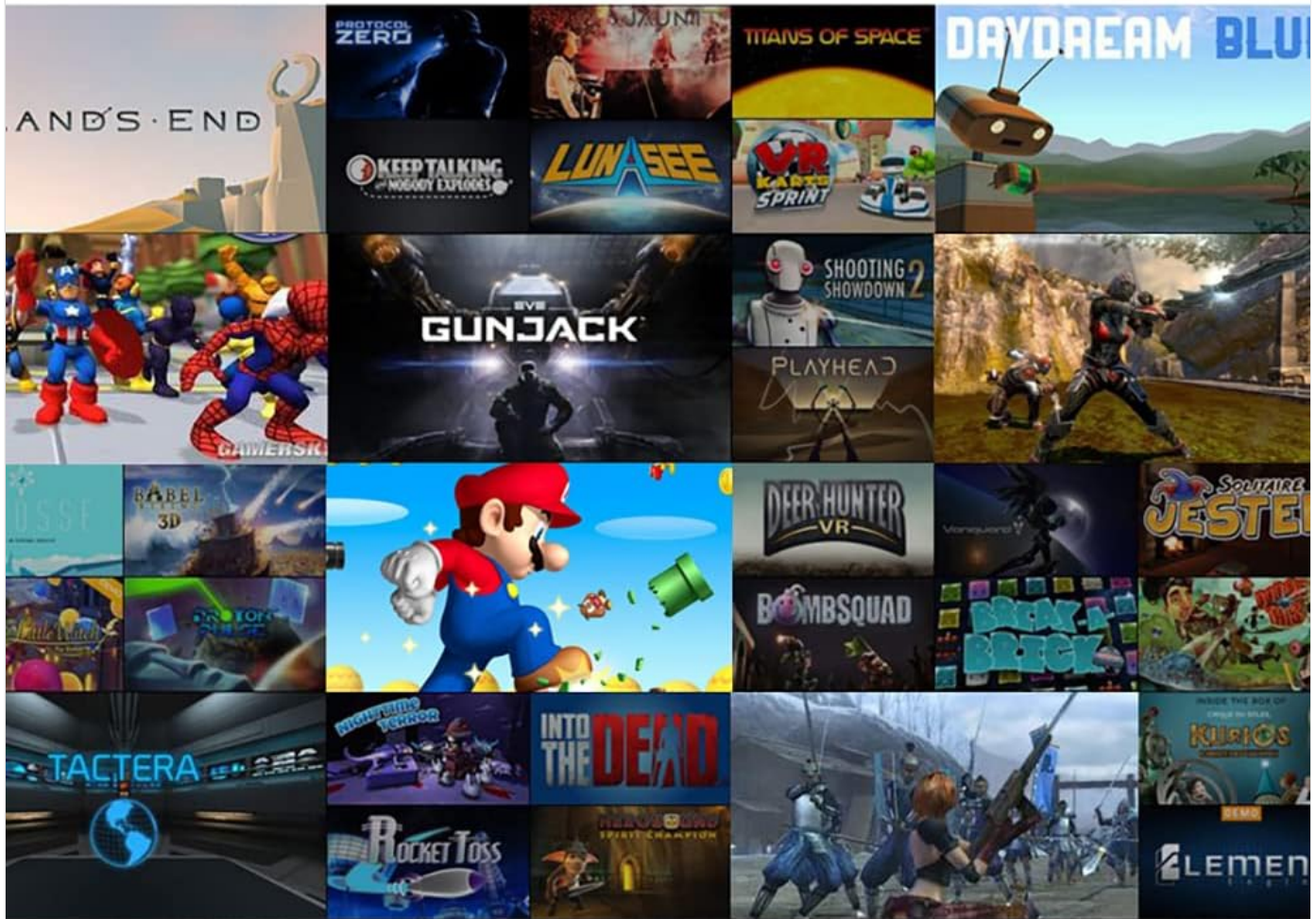


Figure 8: 3D Gaming Experience

This image showcases a collage of various 3D game titles, suggesting the wide range of gaming content that can be enjoyed with the VR headset.

4. MAINTENANCE

4.1 Cleaning the Lenses

To maintain optimal visual clarity, regularly clean the headset lenses. Use a soft, dry microfiber cloth specifically designed for optical lenses. Do not use abrasive cloths, paper towels, or chemical cleaners, as these can scratch or damage the lenses.

4.2 Cleaning the Detachable Spongy Patch

The headset features a detachable spongy patch for hygiene and comfort. This patch can be removed for cleaning.

1. Gently detach the spongy patch from the headset.
2. Clean the patch with a mild soap and water solution. Rinse thoroughly and allow it to air dry completely before

reattaching.

3. Ensure the patch is fully dry to prevent moisture damage or discomfort.



Figure 9: Detachable Spongy Patch

This image shows the detachable spongy patch of the VR headset, highlighting how it can be easily removed for cleaning and reattachment, promoting hygiene and comfort.

5. TROUBLESHOOTING

If you encounter any issues with your BASERY G10-VR Headset, please refer to the following common problems and solutions:

Problem	Possible Cause	Solution
Image is blurry or out of focus.	Incorrect focal distance or pupil distance adjustment.	Adjust the focal distance and pupil distance knobs until the image is clear. Ensure your smartphone is properly seated.
Discomfort during use (e.g., pressure on nose/face).	Head strap is too tight or improperly adjusted.	Loosen and readjust the head straps to ensure a comfortable and balanced fit. Ensure the soft nose piece is correctly positioned.
Smartphone not fitting or falling out.	Smartphone size is outside the compatible range (3.5"-7.2") or not inserted correctly.	Verify your smartphone's screen size. Re-insert the phone, ensuring it is centered and securely clamped by the internal mechanism.
No 3D effect or distorted image.	VR content is not in the correct 3D format (right-and-left) or app settings are incorrect.	Ensure the VR content you are playing is specifically designed for VR headsets and is in a side-by-side 3D format. Check your VR app settings.

6. SPECIFICATIONS

Parameter	Value
Brand	BASERY
Model	G10-VR
Manufacturer	VR SHEINCON
Compatible Devices	Smartphones (3.5" - 7.2" screen)
Interpupillary Distance (IPD)	58.5 - 70.5 mm
Myopia Compatibility	Up to 600 degrees
Product Dimensions	17.93 x 12.95 x 8.94 cm
Item Weight	16.4 g
Special Features	Sweatproof
Connectivity Technology	NFC (Note: Product description mentions "Without Remote Control", but specifications list "remote control" under mounting hardware and included components. This manual focuses on the headset itself.)

7. WARRANTY AND SUPPORT

Information regarding product warranty and customer support was not provided in the available product data. For any inquiries or support needs, please refer to the seller or manufacturer's contact information provided at the point of purchase or on the product packaging.

