

## Manuals+

[Q & A](#) | [Deep Search](#) | [Upload](#)

manuals.plus /

› [Kibiy](#) /

› [Kibiy 6D Blade Replacement Heads for Electric Razor MS-672 Instruction Manual](#)

## Kibiy MS-672

# Kibiy 6D Blade Replacement Heads for Electric Razor MS-672 Instruction Manual

## INTRODUCTION

---

Welcome to the Kibiy 6D Blade Replacement Heads instruction manual. This guide provides essential information for the safe and effective use, installation, and maintenance of your replacement shaver heads. Please read this manual thoroughly before use and retain it for future reference.

## PRODUCT OVERVIEW

---

The Kibiy 6D Blade Replacement Heads are designed for electric rotary shavers, featuring a 6-blade system for efficient shaving. Each head incorporates a 6D floating system, double ring cutters, and precise cutting technology for a close and comfortable shave. The blades are made from hypoallergenic stainless steel.



Image: The Kibiy 6D Blade Replacement Head, featuring six rotary blades.

# Easy To OPEN AND CLEAN



Image: Diagram illustrating the 6D floating system, double ring cutter, and precise cutting features of the shaver head.

## COMPATIBILITY

These replacement heads are compatible with Kibiy electric shavers that utilize a similar buckle mechanism for head attachment. Please refer to the dimensions provided and compare with your existing shaver head to ensure proper fit. The replacement head is specifically designed for Kibiy model MS-672 and other compatible models with the same buckle type.

# Compatible Models



Image: Diagram showing various compatible Kibiy shaver models and examples of incompatible models from other brands.

## INSTALLATION

Follow these steps to replace your shaver head:

**1. Step 1: Pull the Head**

Gently pull the existing shaver head upwards to detach it from the shaver body.

**2. Step 2: Find the Buckle**

Locate the buckle mechanism on the shaver body where the head connects.

**3. Step 3: Push into Place**

Align the new Kibiy 6D Blade Replacement Head with the buckle and push it firmly into place until it clicks securely.

# Easy Easy To Replace

## Fit Many Models With Same Buckle

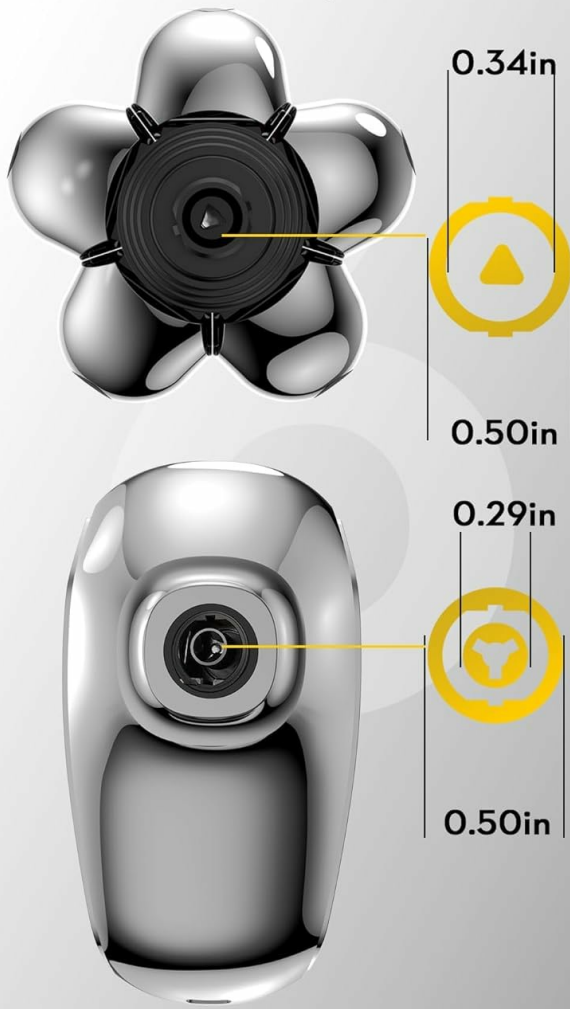


Image: Visual guide demonstrating the three steps for easy replacement of the shaver head.

### OPERATING (USAGE)

The Kibiy 6D Blade Replacement Heads are suitable for both wet and dry shaving. The flexible 6D floating system adapts to the contours of your head and face, providing a smooth and gentle shaving experience. For optimal results, move the shaver in small circular motions over the skin.

# Clean Shave

Comform to Your head & face curve

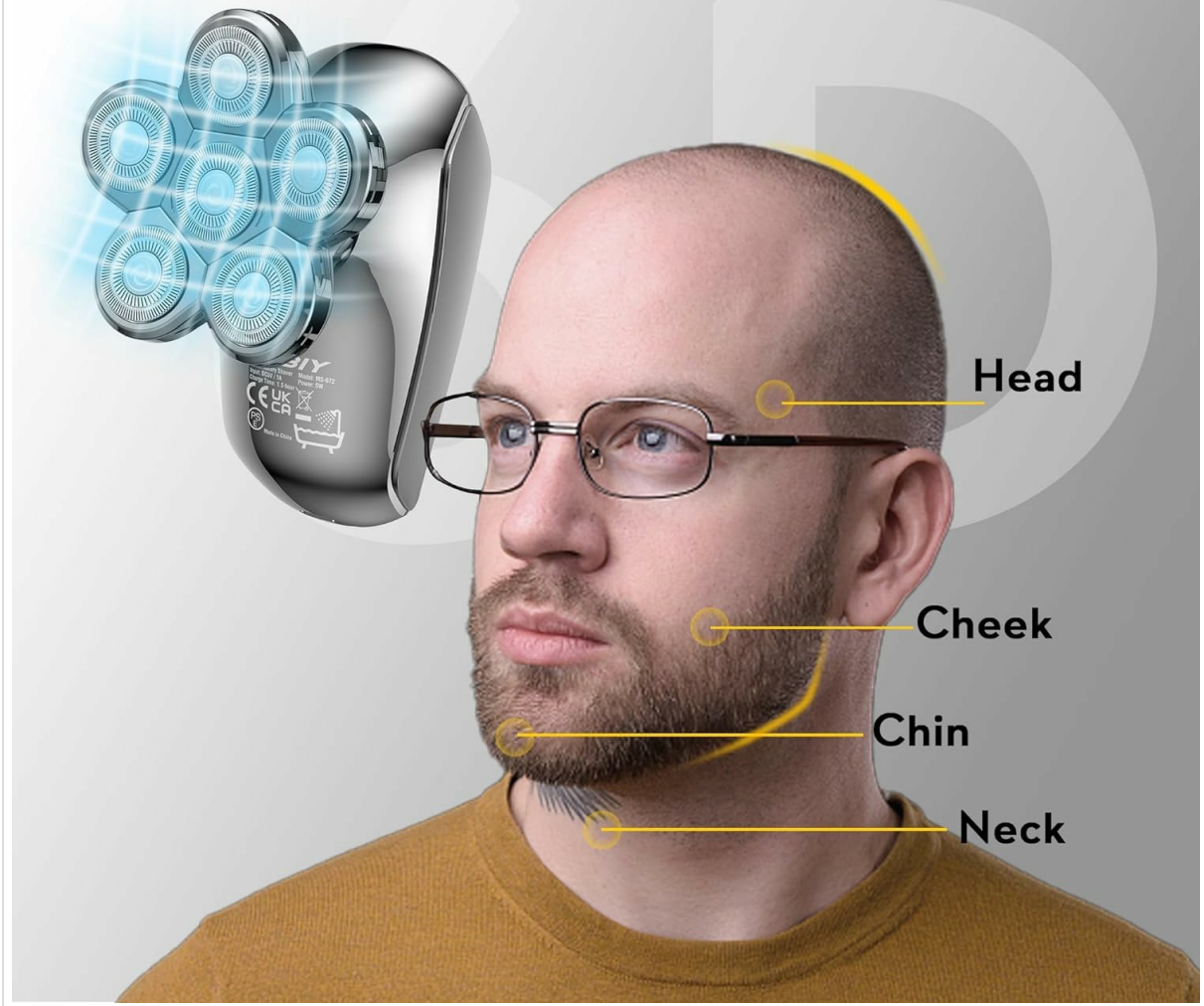


Image: Illustration showing the shaver head adapting to the curves of the head, cheek, chin, and neck for a clean shave.

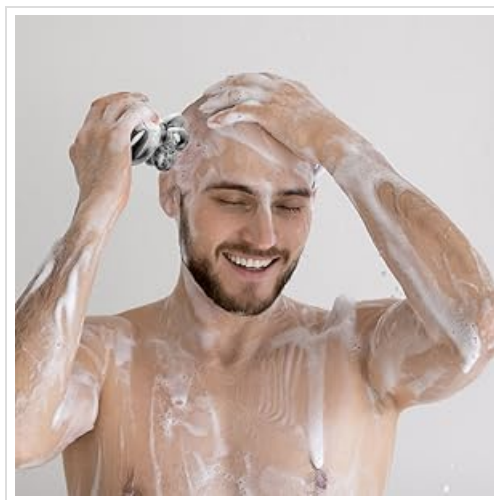


Image: A man shaving his head with foam, demonstrating the product's suitability for wet shaving.

## MAINTENANCE AND CLEANING

Regular cleaning is essential to maintain optimal performance and hygiene. The shaver head is designed for easy opening and cleaning.

### 1. Step 1: Detach Head

Detach the shaver head from the shaver body.

### 2. Step 2: Open Blade Sections

Gently open each blade section to expose the interior.

### 3. Step 3: Rinse Thoroughly

Rinse the opened head thoroughly under running water to remove hair clippings and debris.

### 4. Step 4: Air Dry

Allow the head to air dry completely before closing the blade sections and reattaching it to the shaver or storing.

The blades feature self-sharpening technology to help maintain sharpness over time, but regular cleaning is crucial for their longevity.

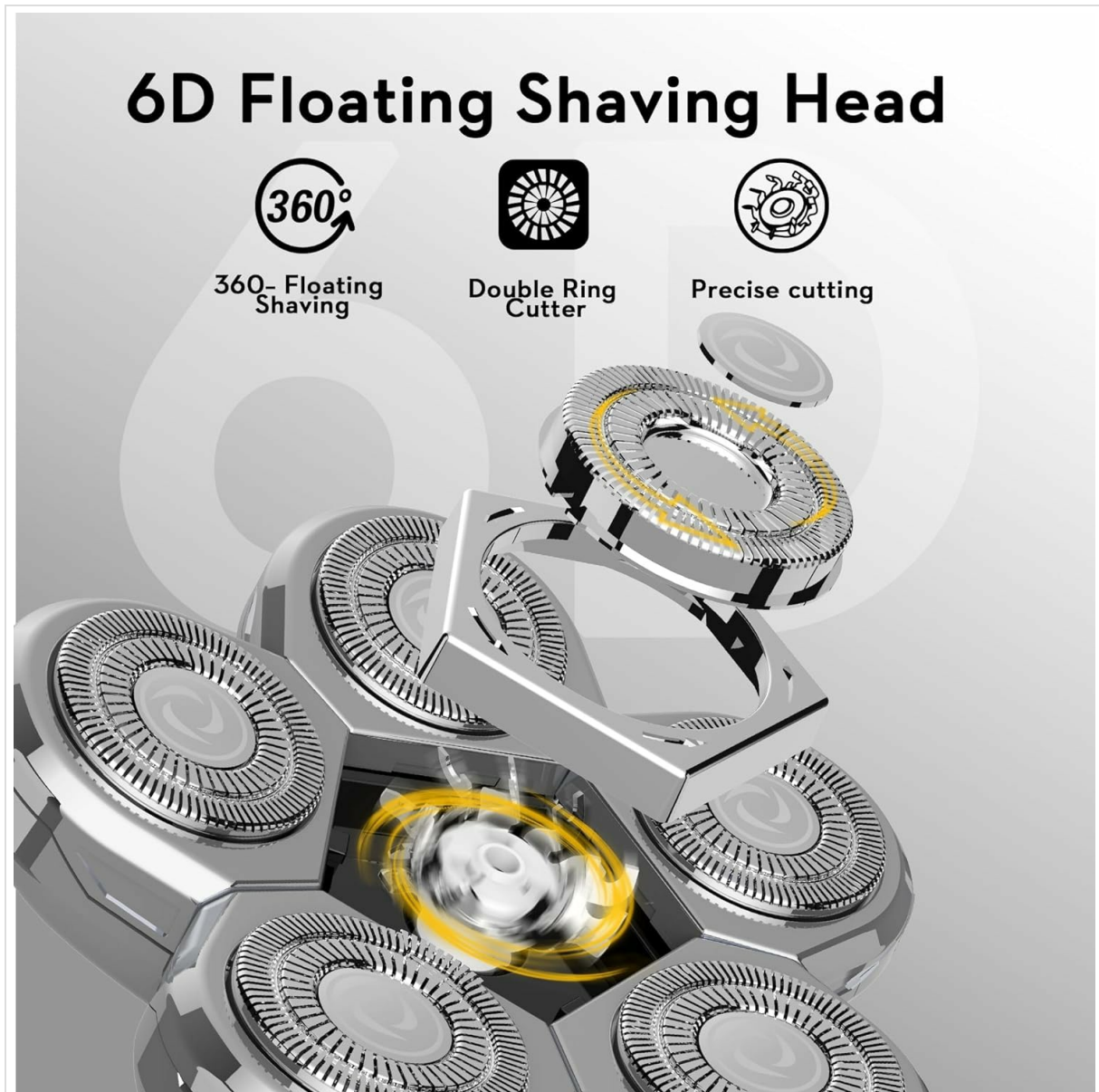


Image: Diagram illustrating the shaver head with its individual blade sections opened, showing water droplets for cleaning.

## TROUBLESHOOTING

- **Reduced Shaving Performance:** If you experience a decrease in shaving efficiency, ensure the blades are clean and free from hair debris. Regular cleaning helps maintain sharpness. If performance does not improve after cleaning, the blades may need replacement due to natural wear over time.

- **Skin Irritation:** Ensure the shaver head is clean before each use. Shave with light pressure and consider using a pre-shave oil or shaving cream, especially for sensitive skin, to reduce friction.

## SPECIFICATIONS

Feature	Detail
Product Dimensions	1.97 x 1.97 x 1.18 inches
Item Weight	1.45 ounces
Model Number	MS-672
UPC	764725805295
Manufacturer	Kibiy
Special Features	Detachable Head, Dry Shave, Ergonomic Design, Portable, Waterproof
Recommended Uses	Head, Face, Nose

## WARRANTY AND SUPPORT

**Warranty:** Kibiy offers a 12-month warranty for this product. Please retain your proof of purchase for any warranty claims.

**Customer Support:** For any questions, assistance, or warranty inquiries regarding your Kibiy product, please contact our dedicated customer service team. Contact information can typically be found on the product packaging or the official Kibiy website.