



[Manuals.plus](#) /

> [EUGAD](#) /

> EUGAD Floating Wall Shelf Instruction Manual, Model 0081QJ-3

EUGAD 0081QJ-3

EUGAD Floating Wall Shelf Instruction Manual

Model: 0081QJ-3 | Brand: EUGAD

INTRODUCTION

Thank you for choosing the EUGAD Floating Wall Shelf, Model 0081QJ-3. This manual provides essential information for the safe and correct assembly, installation, and maintenance of your new wall shelf. Please read these instructions carefully before beginning installation and retain them for future reference.

SAFETY INFORMATION

- Ensure all components are present and undamaged before assembly. Do not use if any parts are missing or damaged.
- Always use appropriate tools for installation.
- Verify the wall material can support the shelf's weight and the maximum load capacity. Use suitable wall anchors for your specific wall type (e.g., drywall, concrete, brick).
- Do not overload the shelf. The maximum weight capacity is 6 kg.
- Keep small parts away from children during assembly to prevent choking hazards.
- For optimal stability, ensure the shelf is mounted level and securely.

PACKAGE CONTENTS

Before assembly, please check that all parts listed below are included in your package:

- Floating Shelf (MDF)
- Wall mounting brackets
- Screws and wall plugs (standard for common wall types)
- Instruction manual

Note: If any parts are missing or damaged, please contact EUGAD customer support.

SPECIFICATIONS

| | |
|-------------------------------|----------------------------------|
| Model Number | 0081QJ-3 |
| Brand | EUGAD |
| Material | E1 Quality Engineered Wood (MDF) |
| Color | Black |
| Finish | Matte PU Paint |
| Dimensions (L x W x H) | 25 cm x 22.9 cm x 3.8 cm |
| Maximum Load Capacity | 6 kg |
| Mounting Type | Wall Mount |



Figure 1: Shelf Dimensions (Length, Width, Thickness)

SETUP AND INSTALLATION

Follow these steps for proper installation of your floating wall shelf. It is recommended to have a second person assist during installation for safety and ease.

Tools Required (Not Included):

- Pencil
- Measuring tape
- Level
- Drill
- Drill bits appropriate for your wall type and screw size
- Hammer (for wall plugs)

Installation Steps:

1. **Choose Location:** Select a suitable wall location, ensuring it is free from electrical wires or plumbing. Consider the desired height and spacing if installing multiple shelves.
2. **Mark Drilling Points:** Hold the mounting bracket against the wall at the desired position. Use a level to ensure it is perfectly horizontal. Mark the drilling points with a pencil.
3. **Drill Holes:** Using an appropriate drill bit for your wall type, drill holes at the marked points. The depth should match the length of the wall plugs.
4. **Insert Wall Plugs:** Insert the wall plugs into the drilled holes. Tap gently with a hammer if necessary until they are flush with the wall surface.
5. **Attach Bracket:** Align the mounting bracket with the wall plugs and secure it to the wall using the provided screws. Ensure the bracket is firmly attached.
6. **Mount Shelf:** Carefully slide the floating shelf onto the installed mounting bracket. The shelf is designed to fit snugly over the bracket, concealing the hardware for a clean, elegant appearance.

Die Verarbeitung ist raffinierter

die Oberfläche der Rückseite an der Wand ist ebenfalls lackiert



EUGAD Wandregal



Andere Wandregal



Figure 2: Installation Diagram - Attaching Bracket and Mounting Shelf

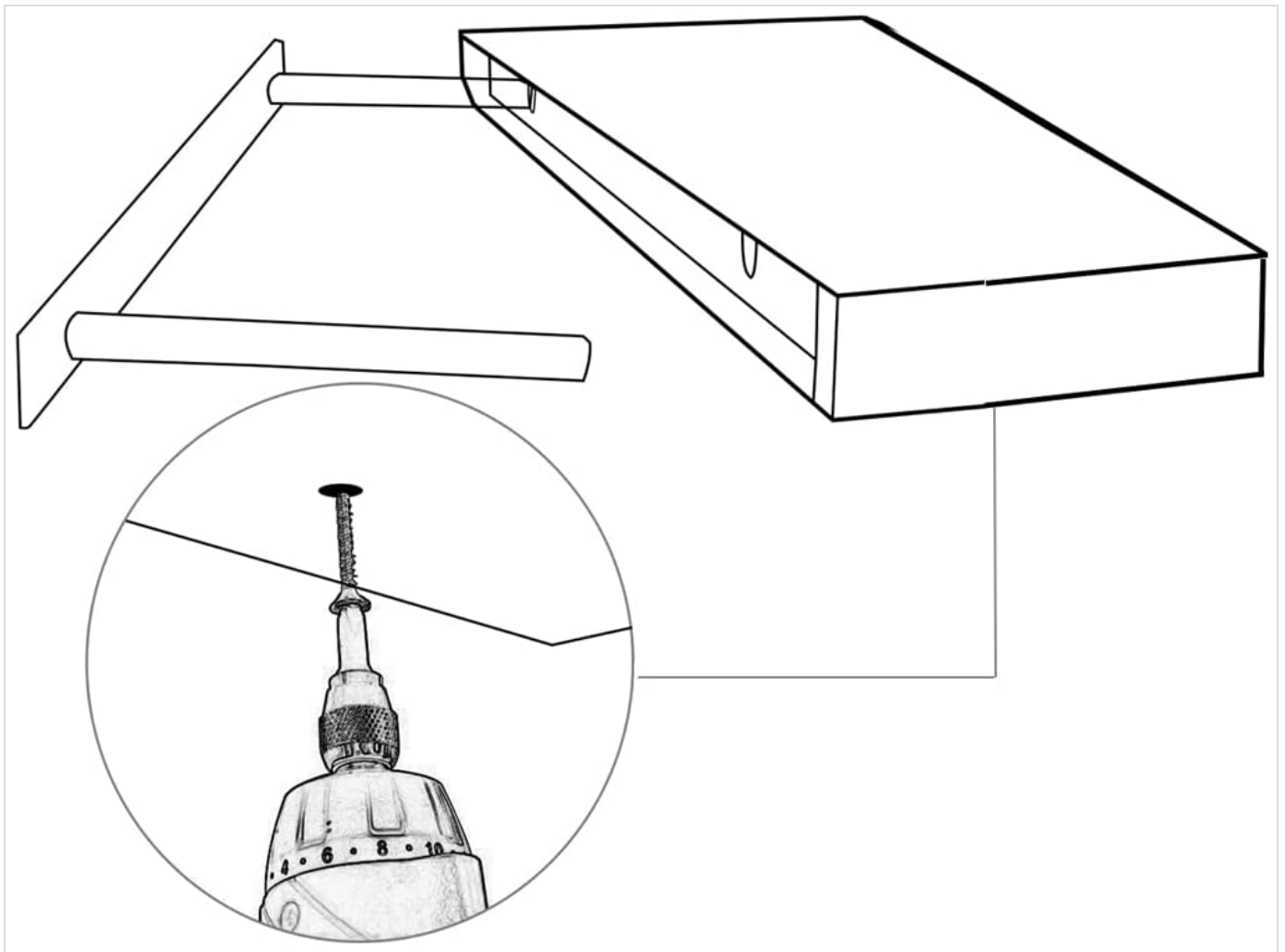


Figure 3: Hidden Mounting Mechanism

USAGE AND PLACEMENT

The EUGAD Floating Wall Shelf is versatile and can be used in various rooms to enhance storage and decor. Its design allows for efficient use of vertical space.

- **Display:** Ideal for showcasing books, decorative ornaments, photo frames, CDs, DVDs, small plants (bonsai), vases, and figurines.
- **Storage:** Can function as a spice rack in the kitchen, a floating shelf in a hallway, a book display in an office, or general storage in a bedroom or living room.
- **Decoration:** The sleek, modern design integrates well with various furniture styles, adding a decorative touch to any wall.



Figure 4: Shelf used for decorative display in a living area.



Figure 5: Shelf displaying books and various decorative items.

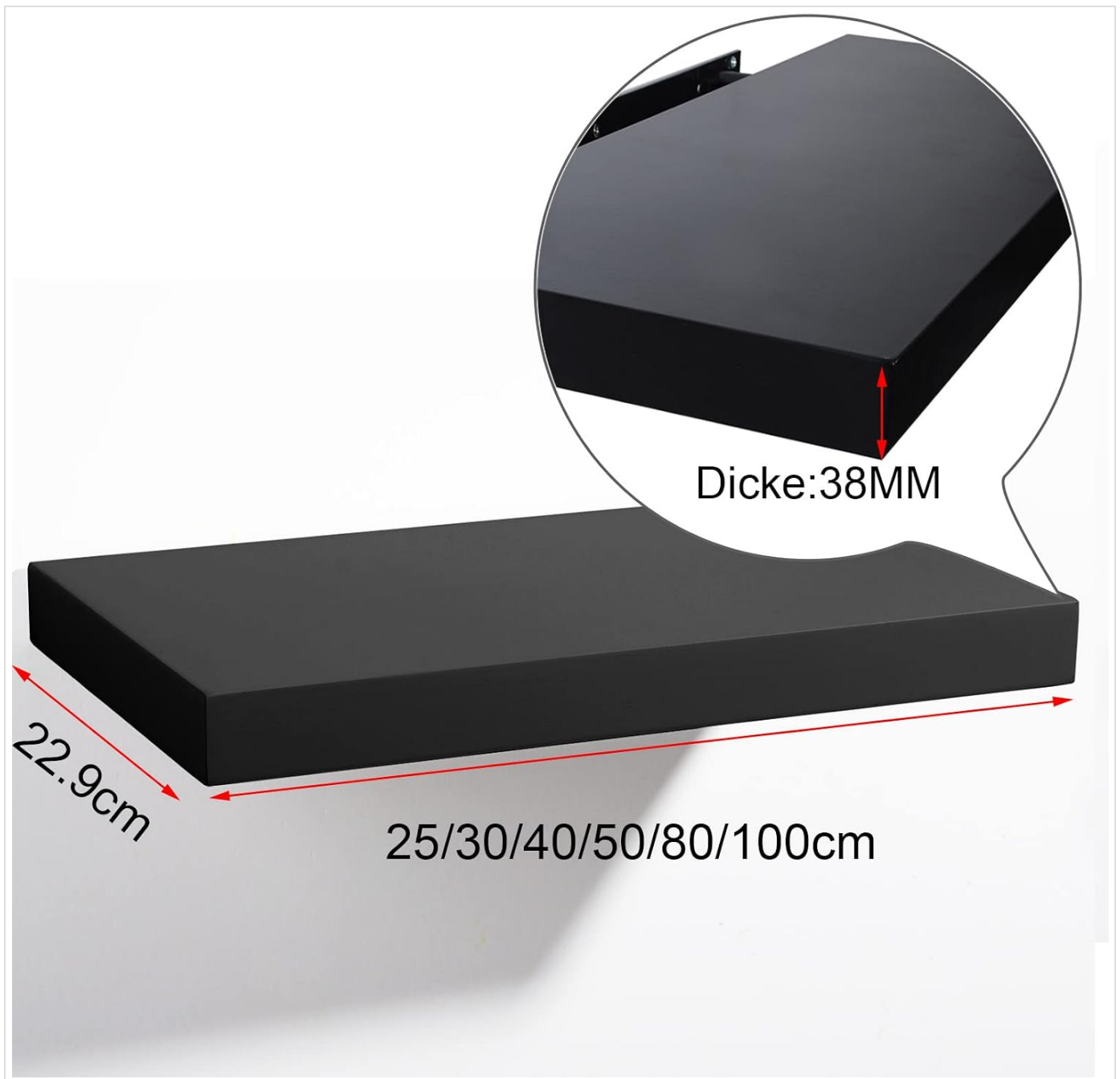


Figure 6: Multiple shelves utilized for kitchen storage.

CARE AND MAINTENANCE

Proper care will ensure the longevity and appearance of your EUGAD Floating Wall Shelf.

- **Cleaning:** The shelf surface is smooth and coated with a matte PU paint, making it resistant to humidity and wear. For cleaning, simply wipe with a soft, damp cloth. Avoid abrasive cleaners or harsh chemicals that could damage the finish.
- **Durability:** Constructed from E1 quality MDF, the shelf is designed to be robust and durable.
- **Avoid Excessive Moisture:** While resistant to humidity, prolonged exposure to excessive moisture should be avoided.
- **Weight Distribution:** Distribute items evenly on the shelf to prevent undue stress on any single point.

TROUBLESHOOTING

If you encounter any issues during or after installation, please refer to the following common solutions:

- **Shelf feels unstable or loose:**

- Ensure the mounting bracket is securely fastened to the wall. Tighten all screws.
 - Verify that the wall plugs used are appropriate for your wall material and are fully inserted.
 - Check if the shelf is fully seated onto the mounting rods.
 - Ensure the shelf is not overloaded beyond its 6 kg capacity.
- **Shelf appears scratched or damaged upon arrival:**
 - Inspect the packaging for signs of damage.
 - Contact EUGAD customer support immediately with details and photographic evidence of the damage for assistance or replacement.
- **Difficulty sliding shelf onto bracket:**
 - Ensure the bracket rods are perfectly straight and aligned.
 - Check for any obstructions inside the shelf's mounting channels.

WARRANTY AND SUPPORT

For specific warranty information, please refer to the documentation provided at the time of purchase or contact your retailer. EUGAD is committed to customer satisfaction.

If you require further assistance, have questions about your product, or need to report a missing/damaged part, please contact EUGAD customer support through the retailer's platform or the official EUGAD website.

You can visit the EUGAD store for more products: [EUGAD Store](#)