

Gatemaster 781159147937

Gatemaster Digital Lock for Wooden Gates Double LH Instruction Manual

Model: 781159147937

1. INTRODUCTION

The Gatemaster Digital Lock for Wooden Gates Double LH is a surface-mounted mechanical digital lock designed for wooden gates. It provides keyless access with a code entry system on both sides of the gate. This lock features a long latching movement to accommodate gate expansion and contraction, and an auto-latching mechanism for security. It is tested for durability in various weather conditions.

2. SAFETY INFORMATION

- Read all instructions carefully before installation and use.
- Ensure the gate structure is sound and capable of supporting the lock.
- Wear appropriate personal protective equipment (PPE) during installation, such as safety glasses and gloves.
- Keep small parts away from children to prevent choking hazards.
- This lock is handed (Left Hand or Right Hand). Verify the correct handing before ordering and installation, as it cannot be changed.

3. PACKAGE CONTENTS

Verify that all components are present before beginning installation:

- Gatemaster Digital Lock Mechanism
- Keypad (integrated)
- Keep (strike plate)
- Mounting Hardware (screws, bolts, etc.)
- Instruction Manual (this document)

4. SPECIFICATIONS

Feature	Detail
Brand	Gatemaster
Model Number	781159147937
Lock Type	Mechanical Digital Lock
Special Feature	Keyless, Code Entry on Both Sides
Material	Alloy Steel
Color	Black
Finish Type	Painted
Latching Movement	20mm
Gate Thickness Compatibility	Up to 100mm
Item Weight	5.94 pounds

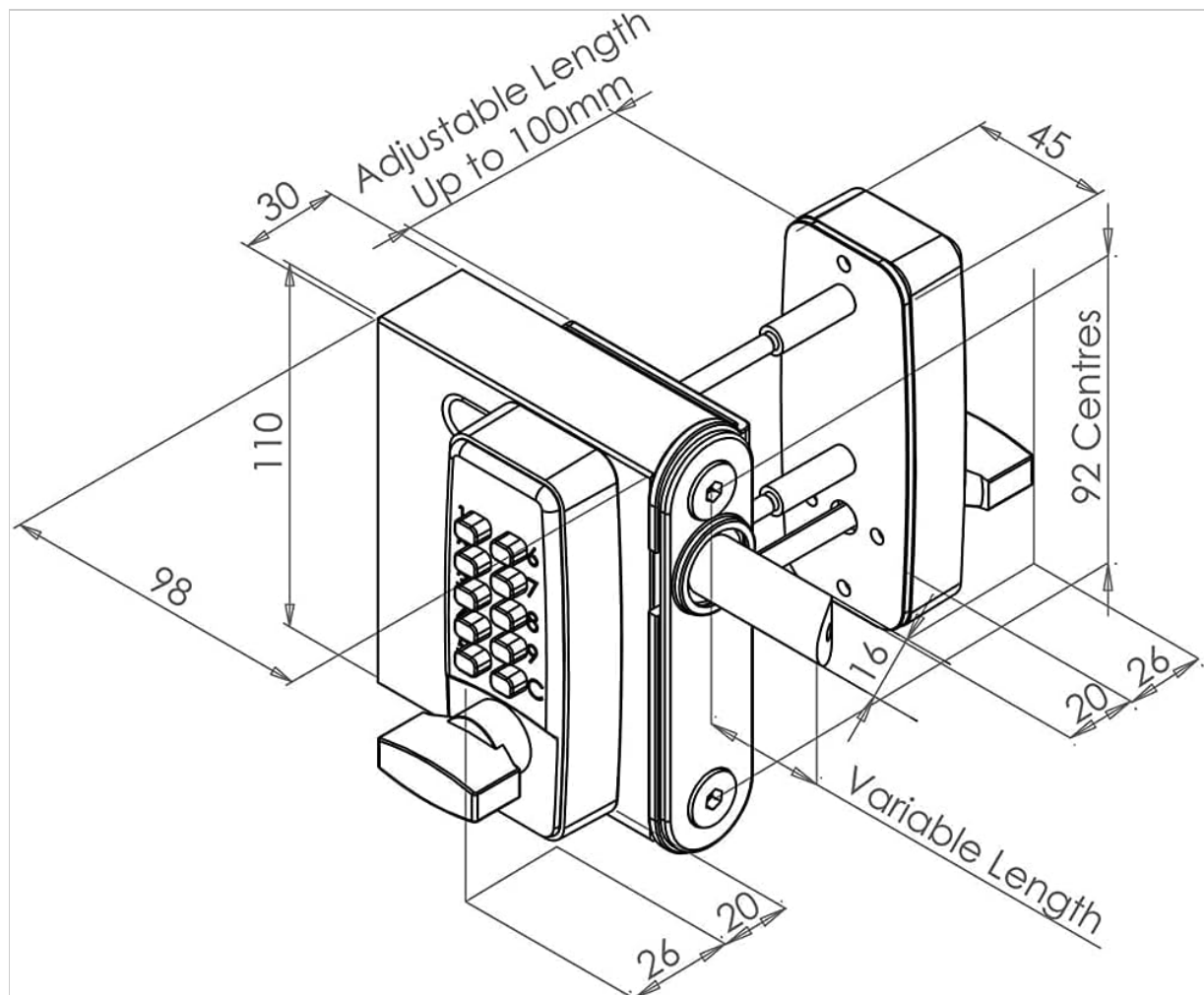


Figure 1: Dimensional drawing of the Gatemaster Digital Lock, illustrating key measurements for installation planning.

5. INSTALLATION AND SETUP

This section provides general guidance for installing the Gatemaster Digital Lock. Professional installation is recommended if you are unsure about any steps.

5.1 Handing Verification

Before installation, confirm that you have the correct handed lock (Left Hand or Right Hand) for your gate. The handing cannot be changed after manufacturing.

5.2 Mounting the Lock

1. **Prepare the Gate:** Ensure the gate surface is clean, flat, and free from obstructions. The lock is designed for wooden gates up to 100mm thick.
2. **Mark Drill Points:** Position the lock on the gate frame at the desired height. Mark the locations for the three required holes for the spindle and mounting bolts. Refer to the dimensional drawing (Figure 1) for precise measurements.
3. **Drill Holes:** Carefully drill the marked holes through the gate frame. Ensure holes are straight and of the correct diameter as specified in the product's detailed drilling template (not provided here, but implied by "drilling 3 holes").
4. **Attach Lock Body:** Insert the spindle and mounting bolts through the drilled holes. Secure the main lock body to the gate using the provided screws/fasteners. Ensure it is flush and stable.
5. **Install the Keep:** Close the gate and align the keep (strike plate) with the latchbolt. Mark and drill pilot holes for the keep. Secure the keep to the gate post or frame, ensuring the latchbolt engages smoothly and fully.



Figure 2: Front view of the Gatemaster Digital Lock installed on a wooden gate, displaying the keypad and handle.



Figure 3: Rear view of the Gatemaster Digital Lock, showing the internal keypad and handle on the opposite side of the gate.



Figure 4: Detailed view of the Gatemaster Digital Lock's latching mechanism and mounting hardware.

6. OPERATION

6.1 Locking the Gate

The Gatemaster Digital Lock features an auto-latching mechanism. When the gate is closed, the latchbolt automatically projects into the keep, securing the gate. No code entry is required to lock the gate.

6.2 Unlocking the Gate

1. Enter the correct numerical code on the keypad.
2. Turn the handle to retract the latchbolt.
3. Open the gate.

6.3 Changing the Code

The code can be easily changed for security purposes. Refer to the specific instructions provided with your lock for the exact procedure, as this typically involves a sequence of button presses and internal mechanism adjustments. This process does not require special tools.

7. MAINTENANCE

- **Cleaning:** Wipe the lock exterior with a soft, damp cloth. Avoid abrasive cleaners or solvents that could damage the finish or keypad.
- **Lubrication:** Periodically apply a silicone-based lubricant to the latchbolt and internal moving parts to

ensure smooth operation. Avoid oil-based lubricants which can attract dirt.

- **Inspection:** Regularly check all mounting screws and bolts for tightness. Ensure the latchbolt moves freely and engages fully with the keep.
- **Weather Protection:** While the lock is salt spray tested, extreme weather conditions may require more frequent inspection and maintenance.

8. TROUBLESHOOTING

Problem	Possible Cause	Solution
Lock does not engage/latch properly.	Misalignment of lock and keep; debris in mechanism; loose mounting.	Check alignment of lock and keep. Clean any debris. Tighten mounting screws.
Code not working.	Incorrect code entered; code mechanism issue.	Ensure correct code is entered. If issue persists, try resetting or re-entering the code as per code change instructions.
Handle is stiff or difficult to turn.	Lack of lubrication; internal obstruction.	Apply silicone lubricant to moving parts. Inspect for any foreign objects.

9. WARRANTY INFORMATION

Specific warranty details for the Gatemaster Digital Lock are typically provided at the point of purchase or on the manufacturer's official website. Please retain your proof of purchase for warranty claims. For information regarding product warranty, please refer to the documentation included with your purchase or contact Gatemaster customer support.

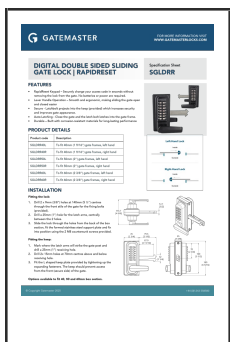
10. SUPPORT

For further assistance, technical support, or to inquire about replacement parts, please contact Gatemaster customer service. Contact details can usually be found on the manufacturer's website or on the product packaging.

Manufacturer: Gatemaster

Website: www.gatemasterlocks.com (Example link, actual link may vary)

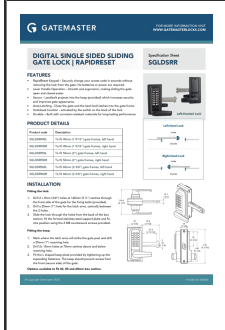
Related Documents - 781159147937

	<p>GateMaster SGLDRR Digital Sliding Gate Lock Specifications & Installation Guide</p> <p>Detailed specification sheet and installation guide for the GateMaster SGLDRR Digital Double Sided Sliding Gate Lock with RapidReset keypad. Learn about features, product codes, and step-by-step fitting instructions for various gate frame sizes.</p>
--	---



[Gatemaster Superlock 2.0 Double Sided Keypad Specification Sheet](#)

Comprehensive specification sheet for the Gatemaster Superlock 2.0 Double Sided Keypad, detailing features, product codes, installation steps, code changing procedures, and maintenance guidelines for secure gate access.



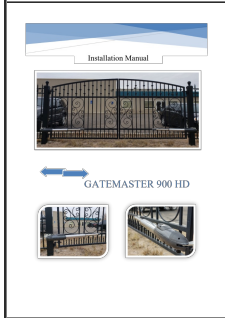
[GateMaster SGLDSRR Digital Single Sided Sliding Gate Lock | Installation & Specifications](#)

Detailed information on the GateMaster SGLDSRR digital single-sided sliding gate lock, including features, product codes, and installation instructions for various gate frame sizes. Learn about RapidReset keypad and lever handle operation.



[Gatemaster Wireless Keypad: Quick Installation and Programming Guide](#)

This quick guide provides essential instructions for installing, programming, and troubleshooting the Gatemaster Wireless Keypad. It covers pairing the keypad with the AG900HD control board, adding and removing access codes, changing programming codes, and resolving common operational issues.



[GATEMASTER 900 HD Swing Gate Opener Installation Manual](#)

Comprehensive installation manual for the GATEMASTER 900 HD swing gate opener, covering safety warnings, technical specifications, installation procedures, wiring diagrams, and control board settings.



[GATEMASTER 900HD Residential Swing Gate Opener | Red Cliff Services](#)

Discover the GATEMASTER 900HD, a durable and installer-friendly residential swing gate opener from Red Cliff Services. Features include heavy-duty gears, quiet operation, solar compatibility, and a 2-year warranty. Ideal for gates up to 500 lbs and 14 ft.