

[Manuals.plus](#) /

> [MANAYO](#) /

> MANAYO USB Condenser Microphone User Manual

MANAYO MY68USB

MANAYO USB Condenser Microphone User Manual

Model: MY68USB

INTRODUCTION

Thank you for choosing the MANAYO USB Condenser Microphone. This professional microphone is designed for high-quality audio capture, ideal for recording, podcasting, streaming, and gaming. Its plug-and-play functionality ensures easy setup with various devices, including computers, laptops, phones, and Mac systems. Featuring both Cardioid and Bi-Directional polar patterns, it offers versatility for different recording environments.

WHAT'S IN THE BOX

Upon unboxing your MANAYO USB Condenser Microphone, please verify that all components listed below are present and in good condition:

- MANAYO USB Condenser Microphone
- 2-in-1 USB Cable (USB-A to USB-C)
- Microphone Windscreen
- Instruction Manual



Image: The MANAYO USB Condenser Microphone, its 2-in-1 USB cable, and a microphone windscreen, laid out next to the product packaging and instruction manual.

PRODUCT FEATURES AND CONTROLS

Familiarize yourself with the various controls and ports on your microphone for optimal performance.



Image: A detailed view of the MANAYO USB Condenser Microphone, highlighting the control knobs and buttons on its body.

Controls:

- **Pattern Button:** Toggles between Cardioid and Bi-directional polar patterns.
- **Volume Knob:** Adjusts the headphone monitoring volume.
- **Mic Gain Knob:** Controls the microphone input gain.
- **Mute Button:** Mutes or unmutes the microphone. Short press to mute, long press to turn off light effect.

Ports:

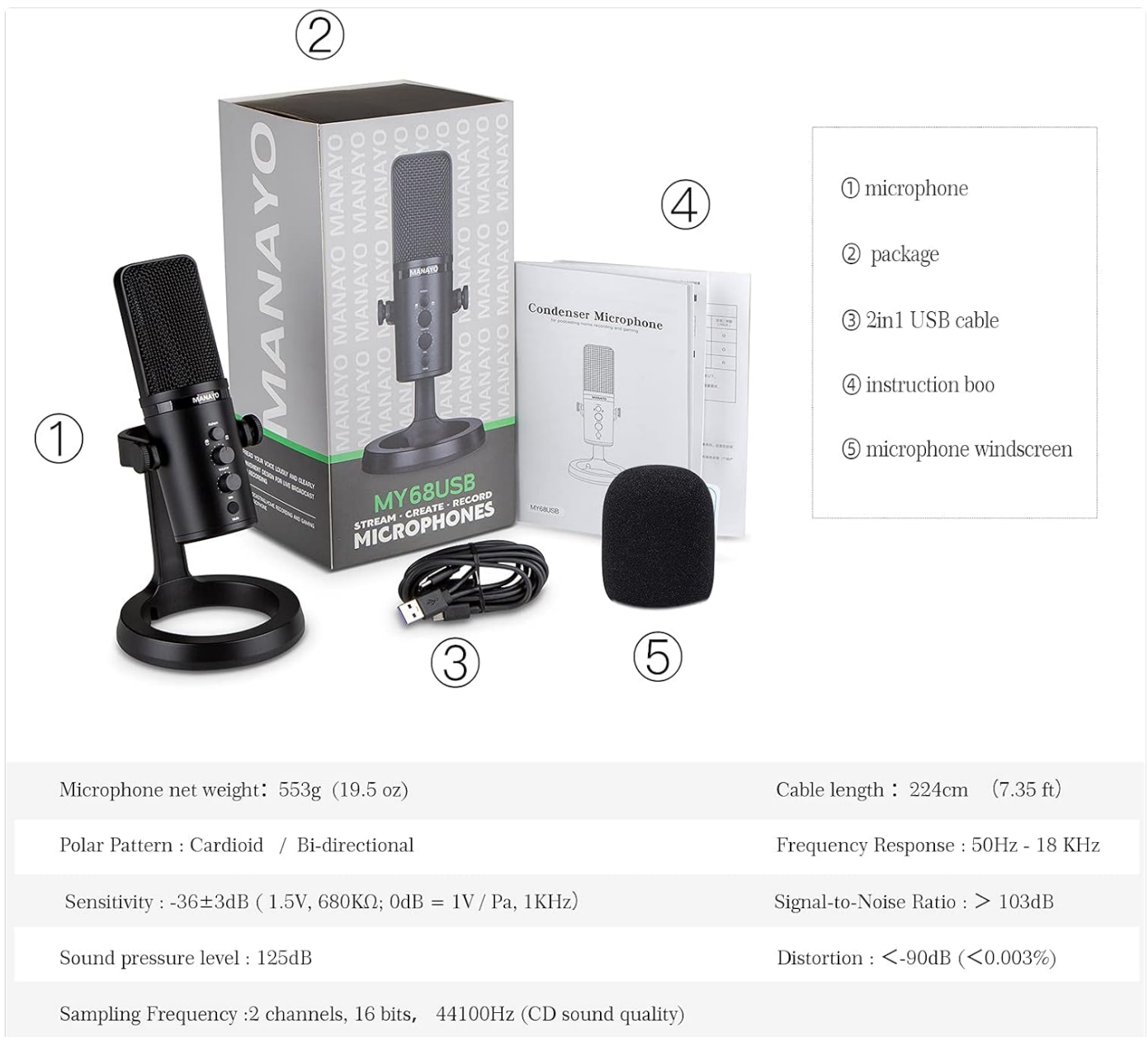


Image: A close-up of the base of the MANAYO USB Condenser Microphone, indicating the monitoring headphone jack, power jack, and stand jack.

- **Monitoring Headphone Jack (3.5mm):** For real-time audio monitoring.
- **Power Jack (USB-C):** Connects the microphone to your device for power and data transfer.
- **Stand Jack:** For attaching the microphone to its included desk stand or other compatible stands.

SETUP

The MANAYO USB Condenser Microphone is designed for plug-and-play operation, requiring no additional drivers for most operating systems.

1. **Assemble the Microphone:** Attach the microphone to its included desk stand by screwing it into the stand jack at the base of the microphone. Ensure it is securely fastened. The microphone features an adjustable angle for optimal positioning.
2. **Connect to Device:** Use the provided 2-in-1 USB cable.
 - For computers/laptops with USB-A ports, connect the USB-A end of the cable to your device and the USB-C end to the microphone's power jack.
 - For devices with USB-C ports (e.g., newer laptops, smartphones), connect the USB-C end of the cable to your device and the other USB-C end to the microphone's power jack.
3. **System Recognition:** Your operating system (Windows, Android, iOS, Mac OS, Harmony OS) should automatically detect

and install the microphone as an audio input device.

4. **Select as Default:** Go to your device's sound settings and select the "MANAYO USB Microphone" (or similar name) as your default input device.

PLUG & PLAY

without any additional driver required



Windows Android IOS Mac OS



Harmony OS







The image shows a black MANAYO USB microphone with a red mesh grille. It features a control panel with a 'Pattern' knob, an 'ON/OFF' switch, a 'Volume' knob, a 'Mute' button, and a 'MIC' indicator. The microphone is mounted on a black stand with a circular base.

Image: The microphone is compatible with various operating systems and applications like YouTube, Skype, Google Meet, Discord, WeChat, Viber, TikTok, and Zoom.



Image: A visual guide demonstrating the plug-and-play connection of the microphone to different devices using the provided USB cable.

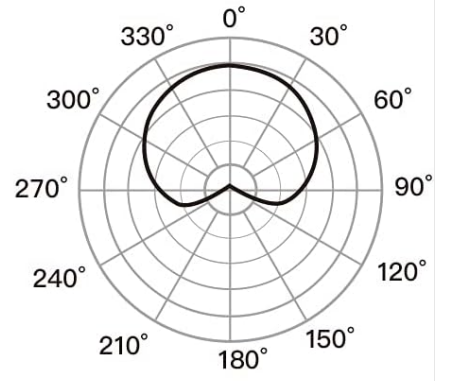
OPERATING INSTRUCTIONS

Polar Pattern Selection:

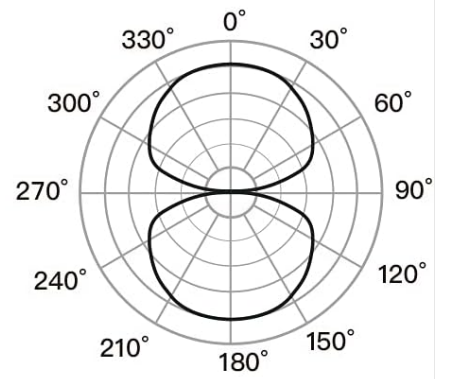
The microphone offers two distinct polar patterns to suit different recording needs:

- **Cardioid Mode (Blue Light):** This pattern picks up sound primarily from the front of the microphone, making it ideal for solo recording, podcasting, or streaming where you want to isolate your voice and minimize background noise.
- **Bi-directional Mode (Green Light):** This pattern picks up sound from both the front and the rear of the microphone, suitable for interviews, duets, or recording two people facing each other.

Press the "Pattern" button on the microphone to switch between Cardioid (blue light) and Bi-directional (green light) modes.



Cardioid



Bi-directional

Image: Visual representation of the Cardioid and Bi-directional pickup patterns, showing sound sensitivity from different directions.

MANAYO

USB CONDENSER MICROPHONE



Windows



Android



iOS



Mac OS



Harmony OS



Image: The microphone's LED indicator lights showing blue for Cardioid mode, green for Bi-directional mode, and red for Mute mode.

Volume and Gain Adjustment:

- **Volume Knob:** Rotate the "Volume" knob to adjust the output level of the headphone monitoring jack.
- **Mic Gain Knob:** Rotate the "Mic" knob to adjust the microphone's input sensitivity (gain). Adjust this to achieve a clear signal without distortion.

Mute Function:

- **Short Press:** Press the "Mute" button briefly to mute or unmute the microphone. The microphone's light will turn red when muted.
- **Long Press:** Press and hold the "Mute" button to turn off the light effect while the microphone continues to work normally. This is useful if you prefer to record without the LED indicator.

Real-time Monitoring:

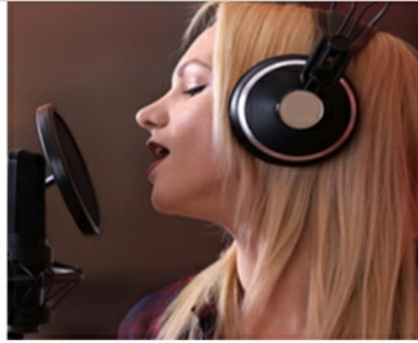
Plug your headphones into the 3.5mm monitoring headphone jack on the microphone to listen to your audio in real-time without latency. This allows you to accurately monitor your recording levels and sound quality.

Applications:

The MANAYO USB Condenser Microphone is versatile and suitable for a wide range of applications:



Gaming



Recording



Online Course



Podcast



Conference



Live Streaming

Image: Examples of the microphone in use for gaming, recording vocals, online courses, podcasting, video conferencing, and live streaming.

- **Gaming:** Clear communication with teammates.
- **Recording:** Vocals, instruments, voiceovers.
- **Podcasting:** Professional-grade audio for your episodes.
- **Streaming:** High-quality audio for live broadcasts.
- **Online Courses/Conferences:** Crisp audio for virtual meetings and educational content.

MAINTENANCE

To ensure the longevity and optimal performance of your MANAYO USB Condenser Microphone, follow these maintenance guidelines:

- **Cleaning:** Use a soft, dry cloth to wipe down the microphone's exterior. Avoid using harsh chemicals, solvents, or abrasive cleaners, as these can damage the finish or internal components.
- **Storage:** When not in use, store the microphone in a clean, dry place, away from extreme temperatures, humidity, and direct sunlight.
- **Handling:** Handle the microphone with care. Avoid dropping it or subjecting it to strong impacts, which can damage the sensitive internal components.
- **Cable Care:** Do not bend or crimp the USB cable excessively. Store it neatly to prevent tangles and damage.
- **Windscreen:** The included windscreen helps protect the microphone from dust and plosives. Clean it periodically by gently rinsing with water and allowing it to air dry completely before reattaching.

TROUBLESHOOTING

If you encounter issues with your MANAYO USB Condenser Microphone, please refer to the following common troubleshooting steps:

Problem	Possible Cause	Solution
---------	----------------	----------

Problem	Possible Cause	Solution
No sound output from microphone.	<ul style="list-style-type: none"> Microphone not properly connected. Microphone not selected as default input device. Microphone is muted. Input gain too low. 	<ul style="list-style-type: none"> Ensure USB cable is securely connected to both microphone and device. Try a different USB port. Check your device's sound settings and select the MANAYO microphone as the input device. Press the "Mute" button to unmute the microphone (red light off). Increase the "Mic" gain knob on the microphone.
Sound is distorted or too quiet.	<ul style="list-style-type: none"> Input gain too high (distortion) or too low (quiet). Incorrect polar pattern selected for environment. Environmental noise. 	<ul style="list-style-type: none"> Adjust the "Mic" gain knob. Reduce for distortion, increase for quiet sound. Ensure the correct polar pattern (Cardioid for single source, Bi-directional for two sources) is selected. Minimize background noise in your recording environment.
Headphone monitoring not working.	<ul style="list-style-type: none"> Headphones not fully plugged in. Volume knob too low. 	<ul style="list-style-type: none"> Ensure headphones are fully inserted into the 3.5mm jack. Increase the "Volume" knob on the microphone.



Image: A visual representation demonstrating the microphone's high sensitivity and signal-to-noise ratio, which helps in reducing environmental and internal noise during recording.

SPECIFICATIONS

Detailed technical specifications for the MANAYO USB Condenser Microphone:

Feature	Detail
Model Number	MY68USB
Connectivity Technology	USB, USB-C
Polar Pattern	Cardioid, Bi-directional
Frequency Response	50Hz - 18KHz
Sensitivity	-36±3dB (1.5V, 680Ω; 0dB = 1V / Pa, 1KHz)
Signal-to-Noise Ratio	> 103dB
Sound Pressure Level (SPL)	125dB
Sampling Frequency	2 channels, 16 bits, 44100Hz (CD sound quality)
Item Weight	553 Grams (1.22 pounds)
Cable Length	224cm (7.35 ft)
Material	Silicone (for certain components, likely stand base)
Compatible Devices	Laptop, Personal Computer, Smartphone



Image: A visual summary of the microphone's physical dimensions and core technical specifications.

WARRANTY AND SUPPORT

MANAYO is committed to providing high-quality products. For information regarding warranty coverage, please refer to the warranty card included with your product or visit the official MANAYO website.

If you require technical assistance, have questions about product operation, or need to report an issue, please contact MANAYO customer support through the following channels:

- **Official Website:** Visit the MANAYO brand store on Amazon for product information and support resources. [MANAYO Store](#)
- **Email Support:** Refer to your product packaging or the official website for customer service email addresses.

Please have your product model number (MY68USB) and purchase details ready when contacting support.

