

Manuals.plus /

› Hisense /

› Hisense 100L9G-CINE100A 4K UHD Laser TV User Manual

Hisense 100L9G-CINE100A

Hisense 100L9G-CINE100A 4K UHD Laser TV User Manual

Model: 100L9G-CINE100A

1. INTRODUCTION

This manual provides essential information for the setup, operation, and maintenance of your Hisense 100L9G-CINE100A 4K UHD Laser TV. This system combines a triple-laser ultra short throw projector with a 100-inch Ambient Light Rejecting (ALR) screen to deliver a high-quality viewing experience.

The Hisense 100L9G-CINE100A features 3000 lumens brightness, 4K resolution, HDR10/HLG support, 40W Dolby Atmos sound, and an integrated Android TV platform with built-in Alexa and Google Assistant. Please read this manual thoroughly before installation and use to ensure proper functionality and longevity of your product.



Image 1.1: Front view of the Hisense 100L9G-CINE100A Laser TV projector unit.



Image 1.2: Example setup of the Hisense Laser TV system in a living room environment.

2. SETUP

2.1 Unpacking and Component Check

Carefully unpack all components. Verify that the following items are included:

- Projector Console
- 100-inch ALR Projector Screen
- Power Cord
- Remote Control

2.2 Screen Assembly and Installation

The 100-inch ALR screen requires assembly. It is recommended that two people perform the assembly and installation to prevent damage. Follow the detailed instructions provided with the screen packaging for frame assembly and screen material attachment. Ensure the screen is mounted securely on a flat wall surface.

2.3 Projector Placement

The Hisense 100L9G-CINE100A is an Ultra Short Throw (UST) projector, designed to be placed very close to the screen. Position the projector on a stable, flat surface directly in front of the screen. The optimal distance from the screen will be minimal, typically around 30.5 cm (12 inches) for a 100-inch image. Refer to the dimension diagram for precise placement guidelines.



Image 2.1: Illustration of Ultra Short Throw projector placement relative to the screen.

2.4 Initial Connection

1. Connect the power cord to the projector and then to a power outlet.
2. Connect external devices (e.g., Blu-ray player, gaming console) to the HDMI ports on the rear of the projector. The projector supports High-Speed HDMI with eARC.
3. For wired network access, connect an Ethernet cable to the LAN port. Wireless connectivity is also available.



Image 2.2: Rear view of the projector showing various connectivity ports.

2.5 Picture Alignment

After initial placement, power on the projector. Use the on-screen alignment tools to adjust the projected image to perfectly fit the 100-inch ALR screen. This process may require fine adjustments to the projector's position and digital keystone/geometry correction settings. Some users report that the automatic geometric correction feature may require multiple attempts or manual fine-tuning for optimal results.

3. OPERATING INSTRUCTIONS

3.1 Power On/Off

Press the power button on the remote control or the projector unit to turn the device on or off.

3.2 Android TV Interface

The projector runs on Android TV, providing access to a wide range of streaming applications and services. Navigate the interface using the remote control. You can customize the home screen, install apps from the Google Play Store, and manage settings.



Image 3.1: The Android TV user interface displayed on the Laser TV screen.

Note on Netflix: Some users have reported that the built-in Android TV OS may not include the Netflix application. If Netflix is required, an external streaming device (e.g., Google Chromecast, Fire Stick) may be necessary.

3.3 Voice Assistants (Alexa & Google Assistant)

The Hisense 100L9G-CINE100A integrates both Amazon Alexa and Google Assistant. Use the voice remote to issue commands, search for content, control smart home devices, and get information. Follow the on-screen prompts to link your Amazon or Google accounts.

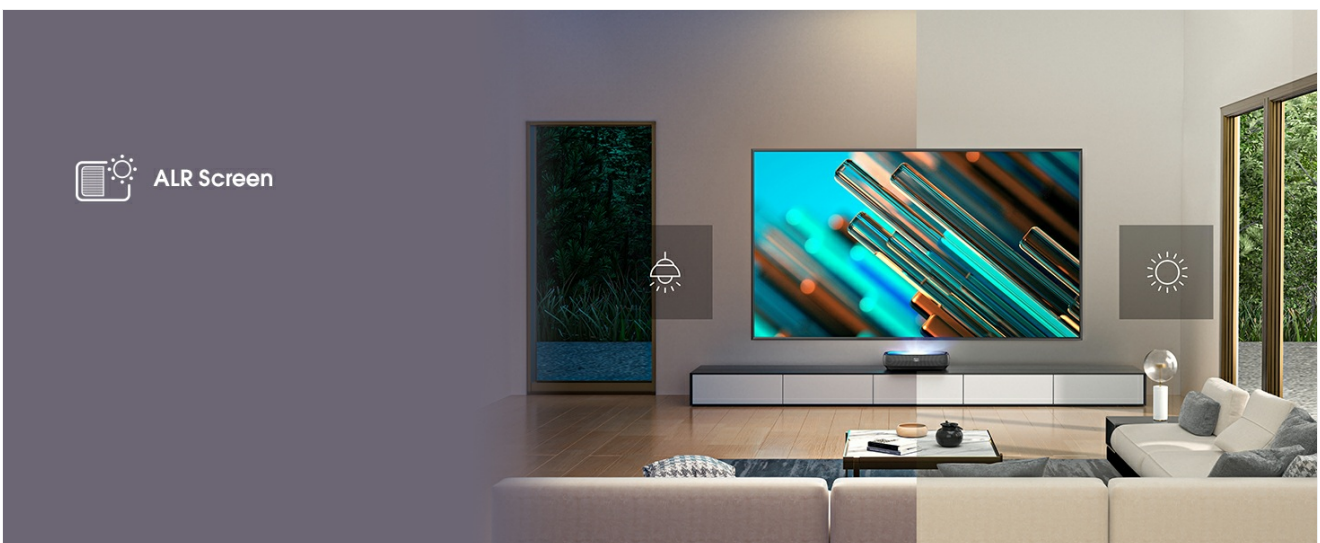


Image 3.2: Example of using Google Assistant with the Laser TV.

3.4 Picture and Sound Settings

Access the settings menu to adjust picture and sound preferences. Key features include:

- **TriChroma Laser Engine:** Utilizes pure red, green, and blue lasers for enhanced color accuracy, achieving 107% of the BT.2020 color space.
- **3000 Lumens Brightness:** Provides a bright image suitable for various lighting conditions, especially when paired with the ALR screen.
- **HDR10/HLG & Dolby Vision IQ:** Supports high dynamic range content for improved contrast and color. Dolby Vision IQ dynamically adjusts picture settings based on ambient light.
- **Filmmaker Mode:** Preserves the original aspect ratio, colors, and frame rates as intended by the filmmaker.
- **Sports Mode & Smooth Motion (MEMC):** MEMC technology provides microsecond-level response for smooth, clear fast-moving images, ideal for sports and action content.
- **40W Dolby Atmos Sound:** Integrated speakers deliver immersive audio. External sound systems can be connected via eARC.
- **Ambient Light Rejecting (ALR) Screen:** The included screen is designed to reject ambient light, enhancing picture quality in well-lit rooms.

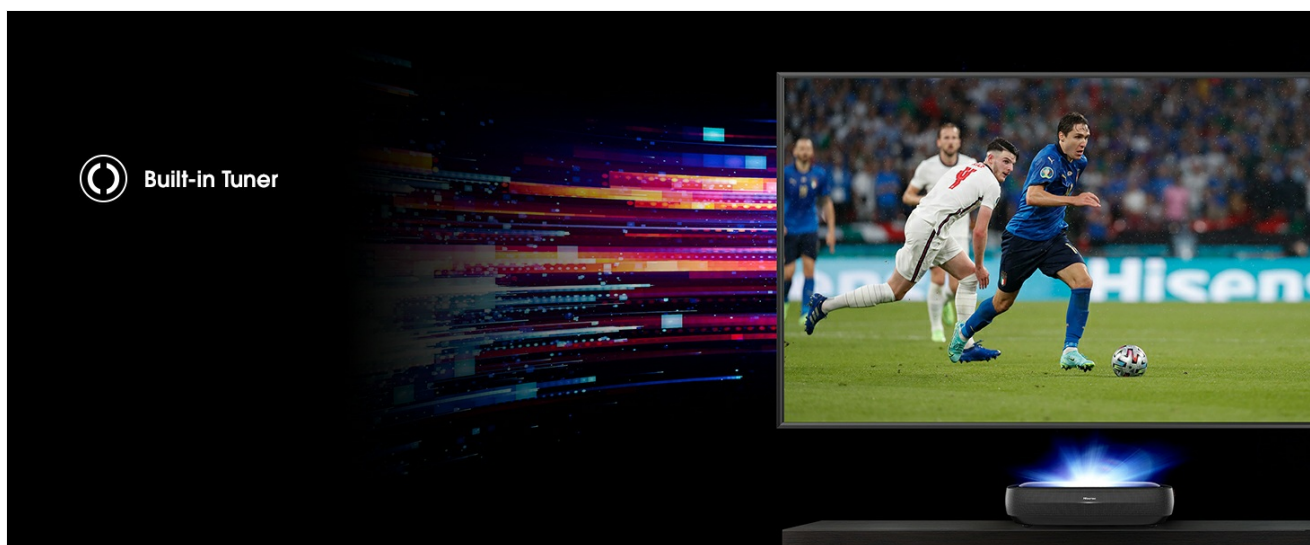


Image 3.3: Illustration of Dolby Vision IQ enhancing picture quality.



Image 3.4: Visual representation of Dolby Atmos immersive sound experience.



Image 3.5: Illustration of Sports Mode and Smooth Motion (MEMC) technology.

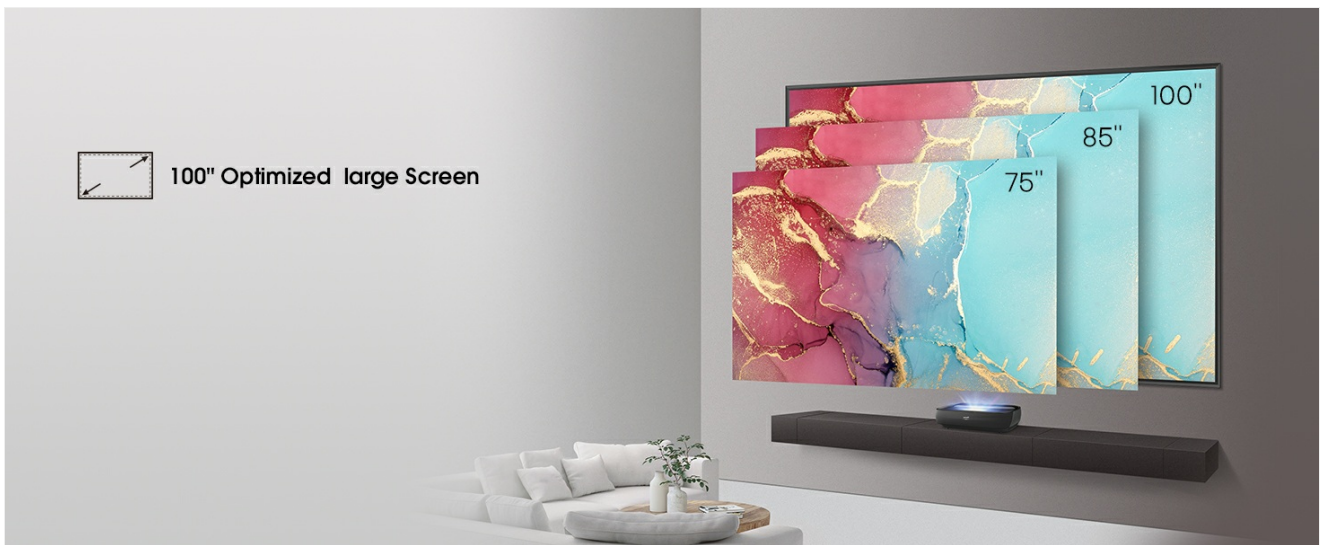


Image 3.6: Comparison of ALR screen performance in bright and dim room lighting.

3.5 Built-in Tuner

The projector includes a built-in tuner, allowing you to receive over-the-air broadcast channels with an appropriate antenna.



Image 3.7: Illustration depicting the functionality of the built-in tuner.

4. MAINTENANCE

4.1 Cleaning the Projector

Use a soft, dry cloth to clean the exterior of the projector. For the lens, use a specialized lens cleaning cloth and solution, following the manufacturer's instructions. Avoid abrasive cleaners or solvents.

4.2 Cleaning the ALR Screen

Gently wipe the ALR screen with a soft, lint-free cloth. Do not use harsh chemicals or excessive pressure, as this can damage the screen's special coating.

4.3 Laser Lifespan

The Hisense 100L9G-CINE100A utilizes a laser light source designed for long-term use, with an estimated lifespan of over 25,000 entertainment hours. This significantly reduces the need for lamp replacements common in traditional projectors.



Image 4.1: Illustration highlighting the extended lifespan of the laser light source.

4.4 Low Blue Light Certification

The Hisense Laser TV is TUV Low Blue Light certified, designed to reduce eye strain during extended viewing periods.



Image 4.2: Information regarding the TUV Low Blue Light certification for reduced eye strain.

5. TROUBLESHOOTING

This section addresses common issues you might encounter with your Hisense Laser TV.

5.1 Picture Quality Issues

- **Blurry or Misaligned Picture:** Re-check projector placement and screen alignment. Use the projector's digital keystone and geometry correction features for fine-tuning. Ensure the projector is on a stable, level surface.
- **Dead Pixels or White Spots:** If you observe persistent dead pixels or white spots on the screen, this may indicate a hardware issue. Refer to the warranty and support section for assistance.
- **Picture Not Good / Unable to Adjust:** Ensure all picture settings are at default or adjusted appropriately for your viewing environment. If issues persist, a factory reset may be considered, but note that this will erase all personalized settings.

5.2 Sound Issues

- **No Sound or Low Volume:** Check volume levels on both the projector and any connected external audio devices. Verify audio cable connections.
- **Fan Noise:** The projector's cooling fan may produce some noise during operation. While designed for quiet operation, some users may notice it, especially in very quiet environments. Ensure adequate ventilation around the projector.

5.3 Connectivity Issues

- **No Signal from Input:** Verify that the correct input source is selected on the projector. Check HDMI or other input cable connections.
- **Network Connection Problems:** For Wi-Fi, ensure the network password is correct and the projector is within range of the router. For wired connections, check the Ethernet cable.

5.4 App and Smart Features

- **Netflix Not Available:** As noted in Section 3.2, the Netflix app may not be pre-installed or available on the Android TV OS. An external streaming device is a common workaround.
- **Voice Assistant Not Responding:** Ensure the remote control's microphone is enabled and you are speaking clearly. Check internet connectivity.

6. SPECIFICATIONS

Feature	Specification
Brand	Hisense
Model Number	100L9G-CINE100A
Display Resolution	3840 x 2160 (4K UHD)
Brightness	3000 Lumens
Screen Size	100 inches (ALR Screen included)
Projection Type	Ultra Short Throw (UST)
Laser Technology	TriChroma (Red, Green, Blue Lasers)
Color Space	107% BT.2020
HDR Support	HDR10/HLG, Dolby Vision IQ
Audio	40W Built-in Speakers with Dolby Atmos
Operating System	Android TV
Voice Assistants	Built-in Alexa and Google Assistant
Connectivity	HDMI (with eARC), USB, Ethernet
Special Features	Noise Reduction, Filmmaker Mode, Sports Mode, MEMC, TUV Low Blue Light Certified
Item Weight	101.2 pounds (Projector unit)
Product Dimensions	60 x 25 x 20 inches (Overall package/system)
Laser Lifespan	25,000+ Entertainment Hours

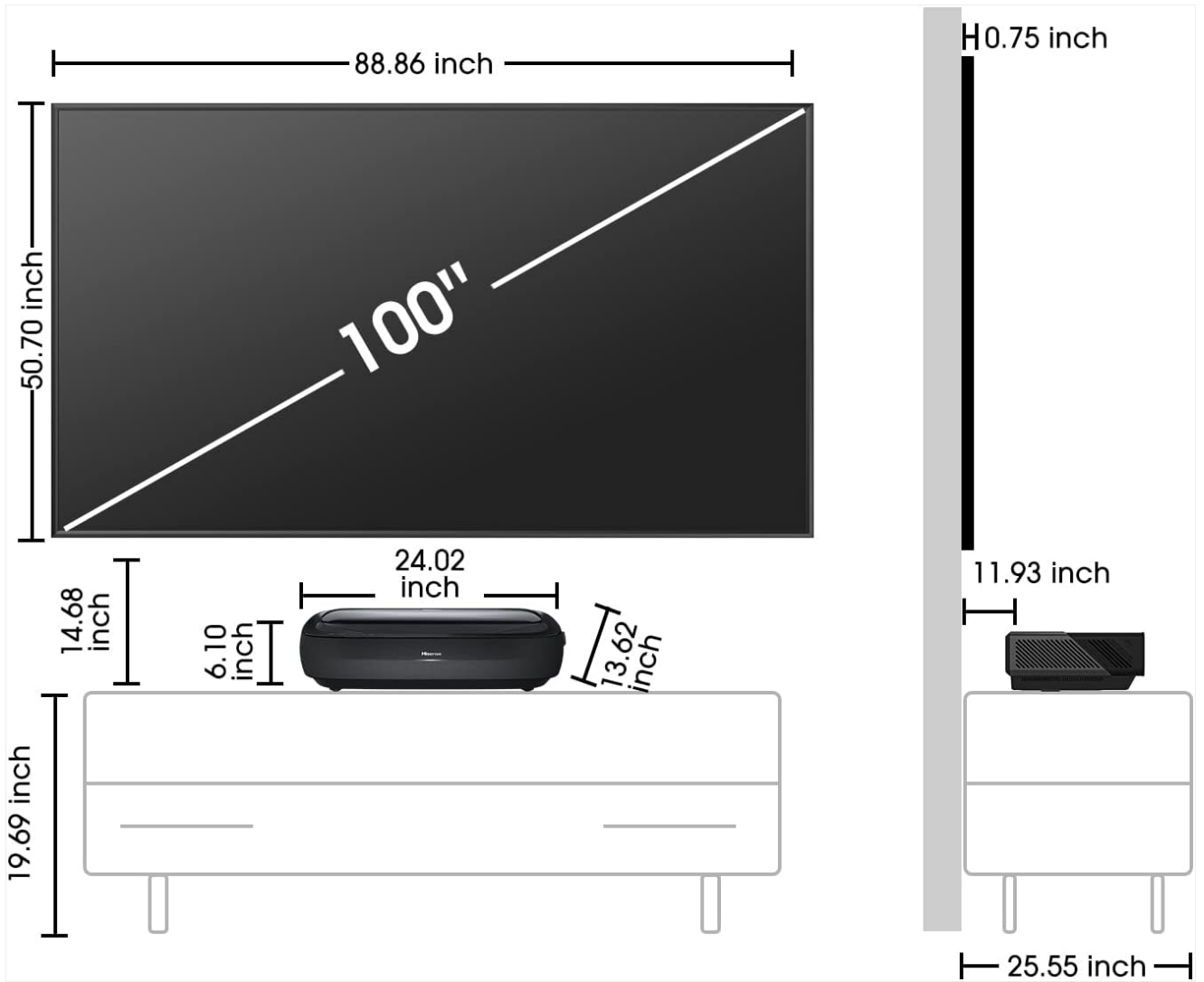


Image 6.1: Dimensional diagram of the Hisense Laser TV projector and screen.

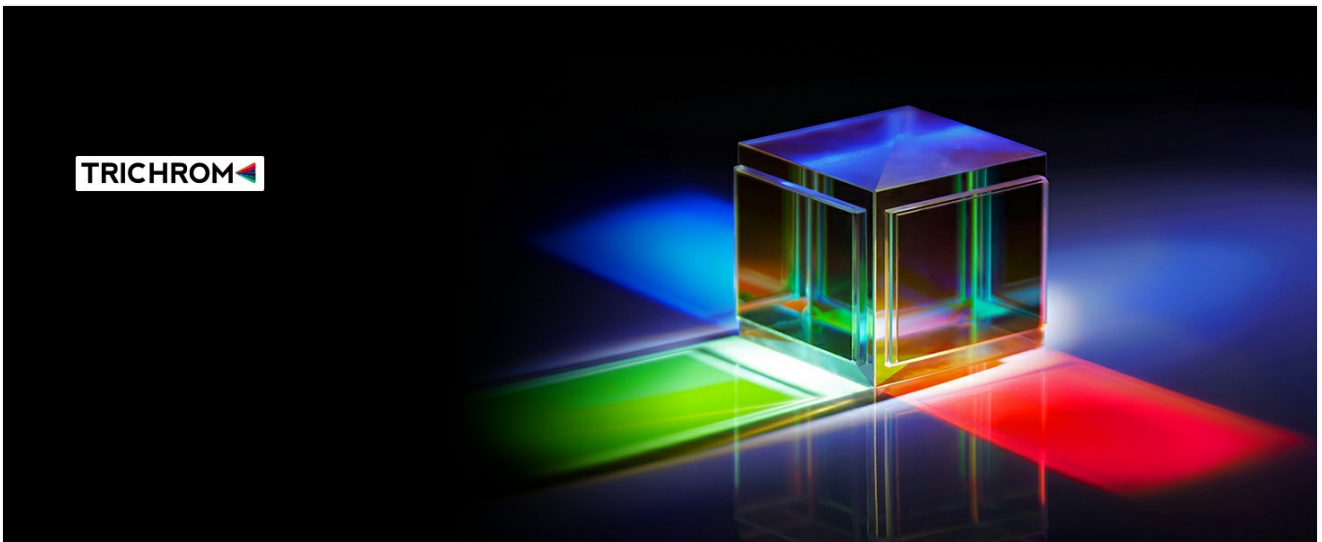


Image 6.2: Illustration of the TriChroma laser engine's color generation.

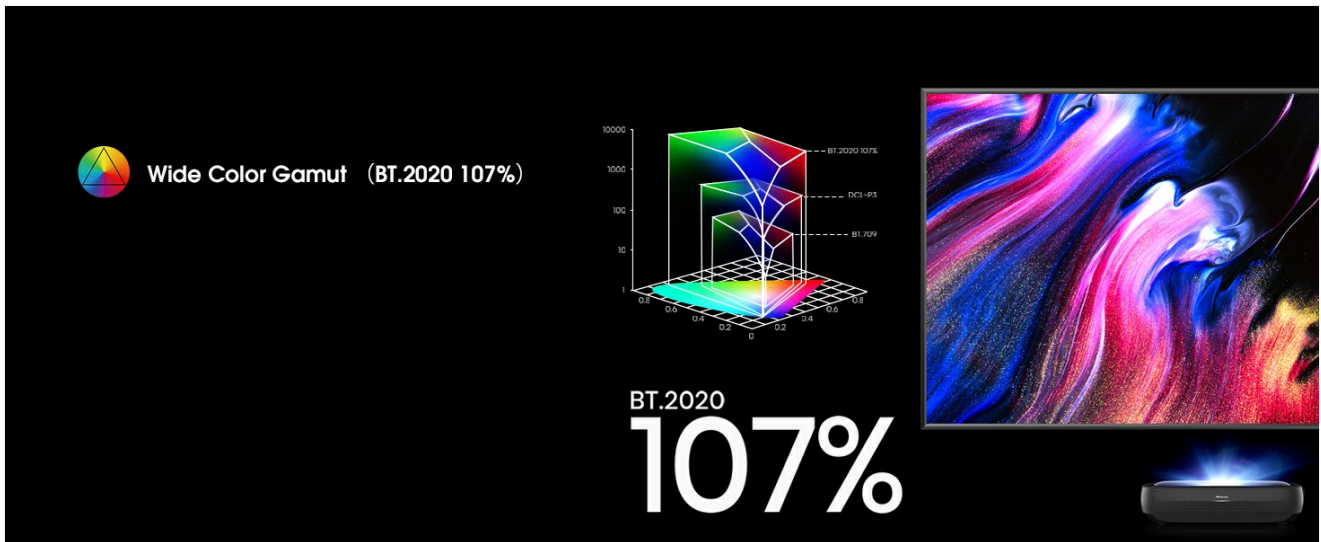


Image 6.3: Diagram illustrating the 107% BT.2020 color gamut coverage.



Image 6.4: Visual representation of the 3000 Lumens brightness output.

7. WARRANTY AND SUPPORT

7.1 Product Warranty

The Hisense 100L9G-CINE100A typically comes with a 2-year manufacturer's warranty. Please refer to your purchase documentation or the official Hisense website for specific warranty terms and conditions, as these may vary by region and retailer.

7.2 Customer Support

For technical assistance, troubleshooting beyond this manual, or warranty claims, please contact Hisense customer support. Contact information can usually be found on the Hisense official website or in the documentation included with your product. When contacting support, have your model number (100L9G-CINE100A) and proof of purchase readily available.

Some users have reported challenges with reaching Hisense customer support or receiving timely responses. It is advisable to utilize all available contact methods (phone, email, online chat) and keep records of all communications.

