

[Manuals.plus](#) /

> [Casaottima](#) /

> Casaottima L Shaped Gaming Desk User Manual (Model B0101526USAN1217YG6YXXJ)

Casaottima B0101526USAN1217YG6YXXJ

Casaottima L Shaped Gaming Desk User Manual

Model: B0101526USAN1217YG6YXXJ

Brand: Casaottima

[Introduction](#) [Safety Information](#) [Package Contents](#) [Setup & Assembly](#) [Operating Instructions](#) [Maintenance](#) [Troubleshooting](#) [Specifications](#) [Warranty & Support](#)

1. INTRODUCTION

Thank you for choosing the Casaottima L Shaped Gaming Desk. This manual provides essential information for the safe assembly, operation, and maintenance of your new desk. Please read it thoroughly before beginning assembly and retain it for future reference.



Image 1.1: The Casaottima L Shaped Gaming Desk, designed for home office and gaming use.

2. SAFETY INFORMATION

Please observe the following safety guidelines to prevent injury or damage to the product:

- Always assemble the desk on a flat, stable surface.
- Adjust the leg pads to ensure stability on uneven floors.
- Be cautious when using the monitor stand and iron hook to avoid tip-over hazards.
- Keep the desk away from heat sources.
- Do not place heavy objects on the monitor stand beyond its intended capacity.

3. PACKAGE CONTENTS

Before assembly, verify that all components are present and undamaged. If any parts are missing or damaged, please contact customer support.

- Desk panels (L-shaped sections)

- Desk frame components (legs, support bars)
- Monitor stand
- Iron hook
- Assembly tools (hex key, screws, etc.)
- Instruction manual

Dimension

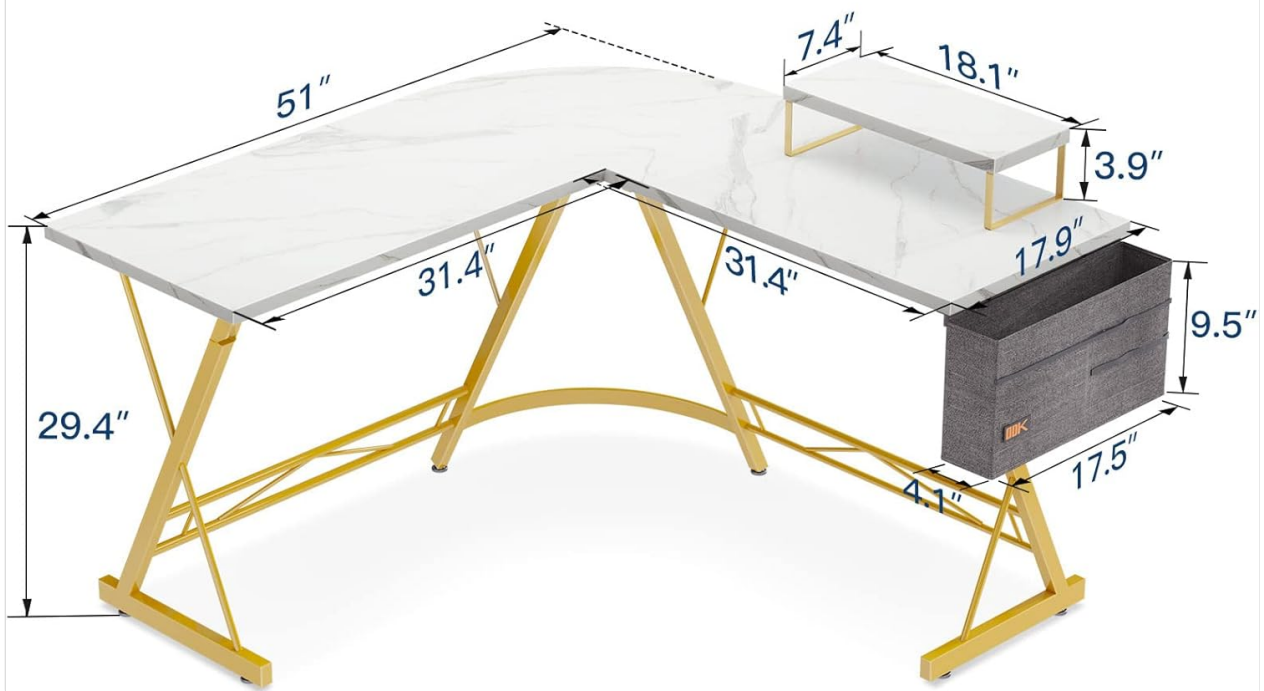


Image 3.1: Desk dimensions for planning your space.

4. SETUP AND ASSEMBLY

Assembly of the Casaottima L Shaped Gaming Desk is designed to be straightforward. All necessary tools are included in the package. It is recommended to assemble the desk with at least one other person for ease and safety.

Assembly Steps:

1. Unpack all components and lay them out on a clean, soft surface to prevent scratches.
2. Identify all parts using the provided parts list in the separate assembly guide.
3. Follow the step-by-step instructions in the included assembly manual to connect the frame components.
4. Attach the desk panels to the assembled frame, ensuring all screws are securely tightened.
5. Install the monitor stand and iron hook as desired. The iron hook can be installed on either the left or right side.
6. Adjust the leg pads to level the desk on uneven surfaces.

Assembly Video:

Your browser does not support the video tag.

Video 4.1: Official installation video for the Casaottima L-Shaped Gaming Desk. This video demonstrates the complete assembly process.

5. OPERATING INSTRUCTIONS

The Casaottima L Shaped Gaming Desk is designed for versatile use in both home office and gaming environments. Its features enhance functionality and organization.

Key Features:

- **Monitor Stand:** The included monitor stand can be moved freely along the desk surface to suit your ergonomic needs or display setup.
- **Iron Hook:** The iron hook provides a convenient place to hang headphones, bags, or other accessories. It can be installed on either the left or right side of the desk.
- **Adjustable Leg Pads:** Use the adjustable leg pads at the bottom of the desk legs to ensure stability and prevent wobbling on uneven floors.
- **Detachable Storage Pouch:** The storage pouch helps organize files and small items, keeping your workspace tidy.

Switchable storage bag

organize files and small items



Image 5.1: Detailed view of the desk's functional features.



Image 5.2: Desk in an office environment, highlighting the storage pouch.

Feature Overview Video:

Your browser does not support the video tag.

Video 5.3: This video provides an overview of the Casaottima L Shaped Gaming Desk, including its monitor stand and other features.

6. MAINTENANCE

To ensure the longevity and appearance of your Casaottima L Shaped Gaming Desk, follow these maintenance tips:

- **Cleaning:** Wipe the desk surfaces with a soft, damp cloth. Avoid harsh chemicals or abrasive cleaners that could damage the finish.
- **Spills:** Clean up spills immediately to prevent staining, especially on the engineered wood surfaces.
- **Tighten Fasteners:** Periodically check and tighten all screws and fasteners to maintain stability.
- **Avoid Excessive Weight:** Do not overload the desk or monitor stand beyond reasonable capacity to prevent structural damage.

7. TROUBLESHOOTING

If you encounter any issues with your desk, refer to the following common problems and solutions:

Problem	Possible Cause	Solution
Desk is wobbly	Uneven floor; loose fasteners	Adjust the leg pads until stable; tighten all assembly screws.
Parts missing or damaged	Shipping damage; packaging error	Contact Casaottima customer service with your purchase details.

Problem	Possible Cause	Solution
Difficulty with assembly	Incorrect step; misaligned parts	Review the assembly manual and video carefully. Ensure parts are oriented correctly before tightening.

8. SPECIFICATIONS

Feature	Detail
Brand	Casaottima
Model Number	B0101526USAN1217YG6YXXJ
Shape	L-Shape
Product Dimensions	51"D x 51"W x 31"H
Item Weight	36.5 Pounds
Base Material	Wood
Top Material Type	Engineered Wood, Wood
Finish Type	Powder Coated
Special Features	Adjustable, Monitor Stand, Iron Hook
Recommended Number of People for Assembly	1
Included Components	Monitor stand, iron hook, manual, assembly tools

9. WARRANTY AND SUPPORT

Casaottima provides a **3-year warranty** for this product, covering manufacturing defects and material flaws under normal use. This warranty does not cover damage caused by misuse, accidents, or unauthorized modifications.

For warranty claims, missing parts, assembly assistance, or any other inquiries, please contact Casaottima customer service. Our after-sale team is available to assist you.

Contact Information: Please refer to your purchase documentation or the Casaottima official website for the most current customer service contact details.