

toncont K1202

toncont 125KHz Proximity ID Card Access Control Keypad K1202 Instruction Manual

Model: K1202

1. INTRODUCTION

This manual provides detailed instructions for the installation, operation, and maintenance of your toncont 125KHz Proximity ID Card Access Control Keypad K1202. Please read this manual thoroughly before installation and use to ensure proper function and safety. This device is designed to provide secure access control for various environments, supporting multiple entry methods.

2. PRODUCT FEATURES

- **3 Access Ways:** Supports swipe card, password, or a combination of password + swipe card for door access.
- **High User Capacity:** Capable of storing up to 1000 user capacities.
- **Durable Design:** Features an ultra-narrow edge design with an ABS fire-retardant shell and a hard-shell rubber film panel for enhanced durability and fire resistance.
- **Standalone Programming:** Full programming can be done directly from the keypad, eliminating the need for computer connection.
- **125KHz ID Keyfobs:** Includes 5 pre-programmed ID keychains compatible with EM standard cards, supporting authorized card door opening.
- **Flexible Security:** Supports electric locks, NC locks, doorbells, exit buttons, and power supply control.
- **Wiegand 26 Interface:** Equipped with Wiegand 26 input and output for integration with other access control systems.
- **Adjustable Door Open Time:** Offers an adjustable door open time from 0-99 seconds.
- **Wide Application:** Suitable for apartments, offices, access control points, restricted areas, hotel locks, school campuses, identification systems, and parking lot entry.

3. PACKAGE CONTENTS

Please check the package contents carefully. If any items are missing or damaged, contact your supplier immediately.

- 1 x toncont 125KHz Access Control Keypad K1202
- 5 x 125KHz ID Keyfobs
- 1 x Wiring Harness
- 1 x User Manual



Image: Contents of the toncont K1202 package, showing the keypad, five blue keyfobs, and the wiring harness.

4. SAFETY INFORMATION

- Ensure the power supply is disconnected before installation or maintenance.
- Only use the specified voltage (12V) for the device. Incorrect voltage may cause damage.
- Avoid exposing the device to extreme temperatures, humidity, or direct sunlight.
- Do not attempt to disassemble or repair the device yourself. Refer to qualified personnel.
- Keep the device away from strong electromagnetic fields.

5. INSTALLATION

5.1 Physical Installation

The toncont K1202 features a narrow panel design for discreet installation. It is designed for self-adhesive installation, but secure mounting with screws is recommended for long-term stability.

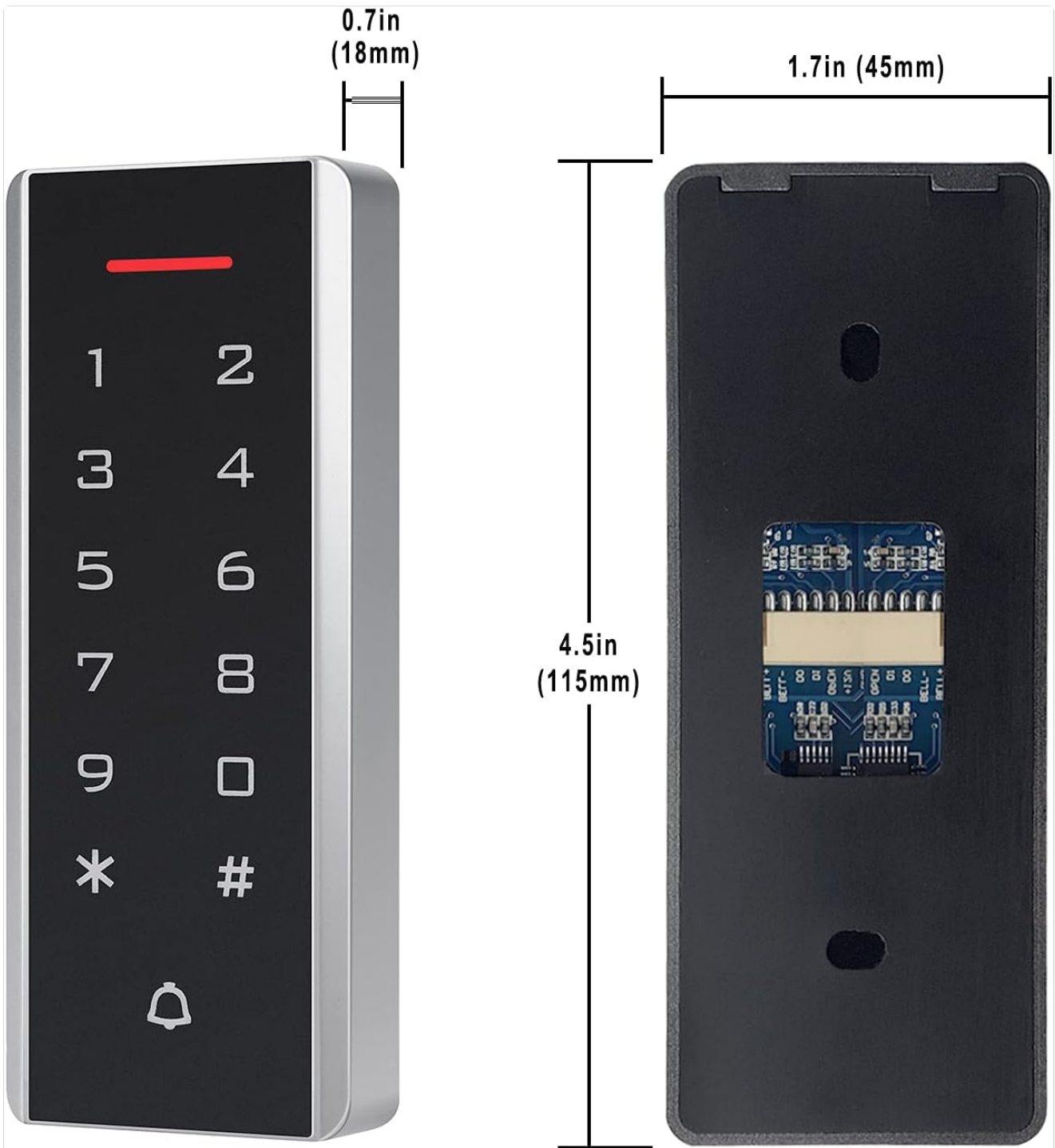


Image: Physical dimensions of the K1202 keypad, measuring 4.5 x 1.7 x 0.7 inches.

5.2 Wiring Diagram

Connect the keypad to a 12V DC power supply, electric lock (NC/NO), and an exit button as per the diagram below. Ensure all connections are secure and correct before applying power.

Connection Diagram:

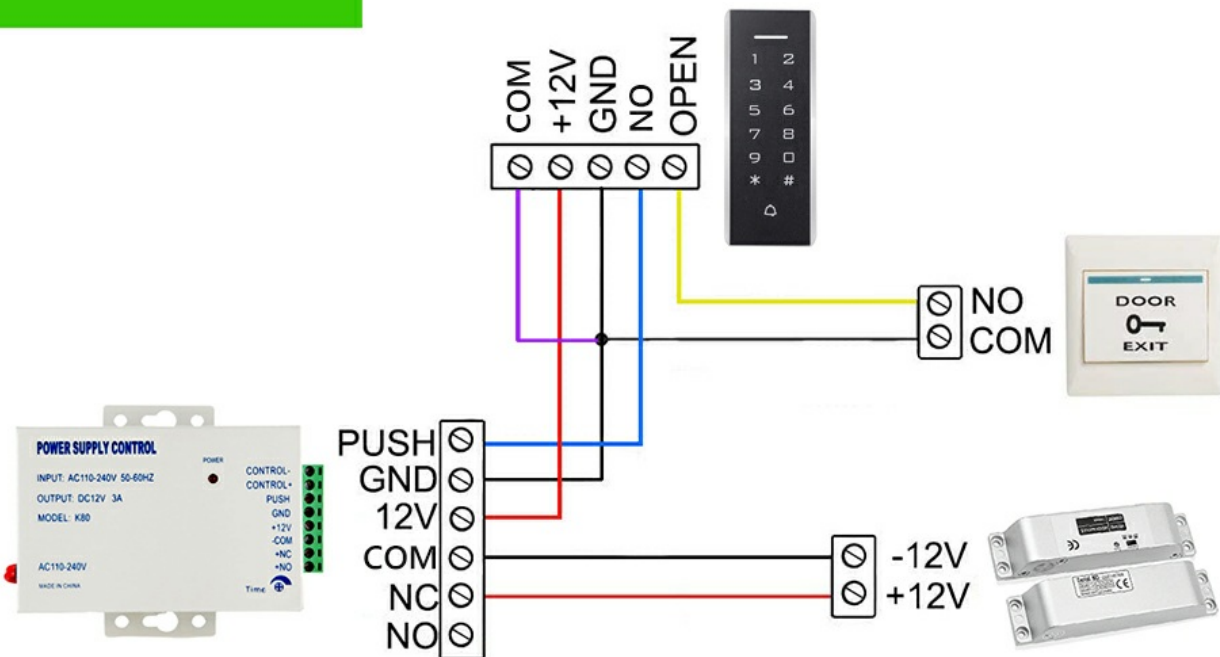


Image: Connection diagram for the access control system, illustrating how to connect the keypad to a power supply, electric lock, and exit button.

Note: The electric lock, power supply, and exit button are not included in this package and must be purchased separately.

5.3 Installation Video Guide

Video: This video demonstrates the wiring process for an Access Control Keypad, showing how to connect it to a power supply, exit button, and electric lock. It provides a visual guide for proper installation.

6. OPERATION

6.1 Unlocking Methods

The toncont K1202 offers three methods for unlocking the door:

- **ID Card Only:** Present a registered 125KHz ID card to the keypad.
- **Password Only:** Enter a registered 4-digit password followed by '#'.
- **ID Card + Password:** Present a registered ID card, then enter the corresponding 4-digit password followed by '#'.



Image: Visual representation of the multiple access options available with the keypad, including ID card, password, and combined methods.

6.2 Door Exit Button

An external exit button can be connected to allow authorized personnel to exit without requiring a card or password. Simply press the exit button to unlock the door from the inside.

7. PROGRAMMING

The default factory master code is **123456**. It is highly recommended to change this code immediately after installation for security purposes.

7.1 Changing the Master Code

1. Press ****** to enter programming mode.
2. Enter the current master code (default: 123456) followed by **#**.
3. Press **0** to change the master code.
4. Enter your new 6-digit master code followed by **#**.
5. Re-enter the new 6-digit master code followed by **#** to confirm.
6. Press ****** twice to exit programming mode.

7.2 Adding User Cards (Keyfobs)

1. Press ****** to enter programming mode.
2. Enter the master code followed by **#**.
3. Press **1** to add a user.
4. Present the new ID card (keyfob) to the keypad. The keypad will beep to confirm.
5. You can continuously present multiple cards to add them.
6. Press ****** twice to exit programming mode.

Video: This video demonstrates the steps to add an ID card (keyfob) for unlocking the toncont K1201/K1202 Access Control Keypad. It shows

the sequence of key presses and card presentation.

7.3 Adding User Codes (Passwords)

1. Press '*' to enter programming mode.
2. Enter the master code followed by '#'.
3. Press '1' to add a user.
4. Enter a 1 to 4 digit user ID (e.g., 001) followed by '#'.
5. Enter the new 4-digit user password followed by '#'.
6. Re-enter the new 4-digit user password followed by '#' to confirm.
7. Press '*' twice to exit programming mode.

Video: This video illustrates the procedure for adding a user code (password) to the toncont K1201/K1202 Access Control Keypad. It guides through entering programming mode, user ID, and the new password.

7.4 Deleting User Cards/Codes

1. Press '*' to enter programming mode.
2. Enter the master code followed by '#'.
3. Press '2' to delete a user.
4. Enter the user ID (1 to 4 digits) of the card/code to be deleted followed by '#'.
5. Press '*' twice to exit programming mode.

8. MAINTENANCE

- Clean the keypad surface regularly with a soft, dry cloth. Avoid abrasive cleaners or solvents.
- Periodically check wiring connections for any signs of wear or damage.
- Ensure the keypad is free from dust and debris to maintain optimal performance.

9. TROUBLESHOOTING

Problem	Possible Cause	Solution
Keypad not responding	No power or incorrect wiring.	Check power supply connections and ensure 12V DC. Verify all wiring according to the diagram.
Door not unlocking with valid card/code	Card/code not properly registered or incorrect lock wiring.	Re-register the card/code. Check the wiring to the electric lock (NC/NO connections).
Keypad beeps continuously	Stuck key or internal error.	Check for any stuck keys. Disconnect power for 10 seconds and reconnect. If issue persists, contact support.
Cannot enter programming mode	Incorrect master code or not pressing '*' first.	Ensure you press '*' before entering the master code. Verify the master code.

10. SPECIFICATIONS

- **Brand:** toncont
- **Model Number:** K1202
- **Color:** Narrow Panel
- **Power Source:** Battery Powered (Note: Requires external 12V DC power supply, not included)
- **Compatible Devices:** Access Control Panels, Sensors, Smart Home Platforms
- **Item Dimensions (L x W x H):** 4.5 x 1.7 x 0.7 inches
- **Connectivity Technology:** Wired
- **Installation Type:** Self-Adhesive (can also be screw-mounted)
- **Alert Type:** Motion (likely refers to internal tamper or door status monitoring)
- **Item Weight:** 2.12 ounces (60 Grams)
- **Voltage:** 12 Volts DC
- **Control Method:** Touch Keypad
- **Material:** Acrylonitrile Butadiene Styrene (ABS)
- **Display Style:** LED
- **UPC:** 190373225008

11. WARRANTY AND SUPPORT

For warranty information or technical support, please refer to the product packaging or contact your retailer/seller directly. Keep your purchase receipt as proof of purchase.