

Manuals+

[Q & A](#) | [Deep Search](#) | [Upload](#)

manuals.plus /

- › [JIELI](#) /
- › [JIELI Automatic Sliding Gate Opener User Manual \(Model 1800lbs\)](#)

JIELI 1800lbs gate opener

JIELI Automatic Sliding Gate Opener User Manual

Model: 1800lbs Gate Opener

1. INTRODUCTION

This manual provides essential instructions for the safe installation, operation, and maintenance of your JIELI Automatic Sliding Gate Opener. Please read this manual thoroughly before installation and operation to ensure proper function and to prevent injury or damage. Keep this manual for future reference.

2. SAFETY INFORMATION

WARNING: Failure to follow these safety instructions may result in serious injury or death, and may void your warranty.

- Ensure all installation steps are performed by qualified personnel.
- Do not allow children to play near the gate opener or operate the remote controls.
- Keep hands and clothing clear of the gate and chain mechanism during operation.
- Regularly inspect the gate and opener for signs of wear, damage, or misalignment.
- Disconnect power before performing any maintenance or repairs.
- The gate opener is designed for sliding gates only. Do not use for other purposes.

3. PACKAGE CONTENTS

Verify that all components are present and undamaged before beginning installation.

- JIELI Automatic Sliding Gate Opener Unit
- Remote Controls (x4)
- Drive Chain (2 sections, total 6 meters / 19.65 feet)
- Mounting Hardware (bolts, nuts, etc.)
- Manual Release Keys (x2)
- Installation Brackets



Figure 3.1: Main components included in the package. This image shows the gate opener unit, the drive chain, and four remote controls.

4. PRODUCT OVERVIEW

The JIELI Automatic Sliding Gate Opener is designed for heavy-duty sliding gates, offering convenience and security. It features a robust motor and advanced control system.

4.1 Key Features

- **Powerful Motor:** Equipped with a 370W AC pure copper motor for durability and strong performance, capable of handling gates up to 816.5 kg (1800 lbs) and 12.2 m (40 ft) in length.
- **Thermal Protection:** Integrated thermal protection automatically shuts off the motor if it overheats, preventing damage.
- **Manual Release:** In case of power failure, the gate can be manually opened or closed using the clutch release mechanism.
- **Secure Remote Control:** Utilizes advanced encoding and decoding technology for enhanced security and privacy.

- **Hall Limit Control System:** Employs special Hall components for precise travel limit control, simplifying setup.

ADOPTING THE INTERNATIONAL LEADING HALL LIMIT CONTROL SYSTEM

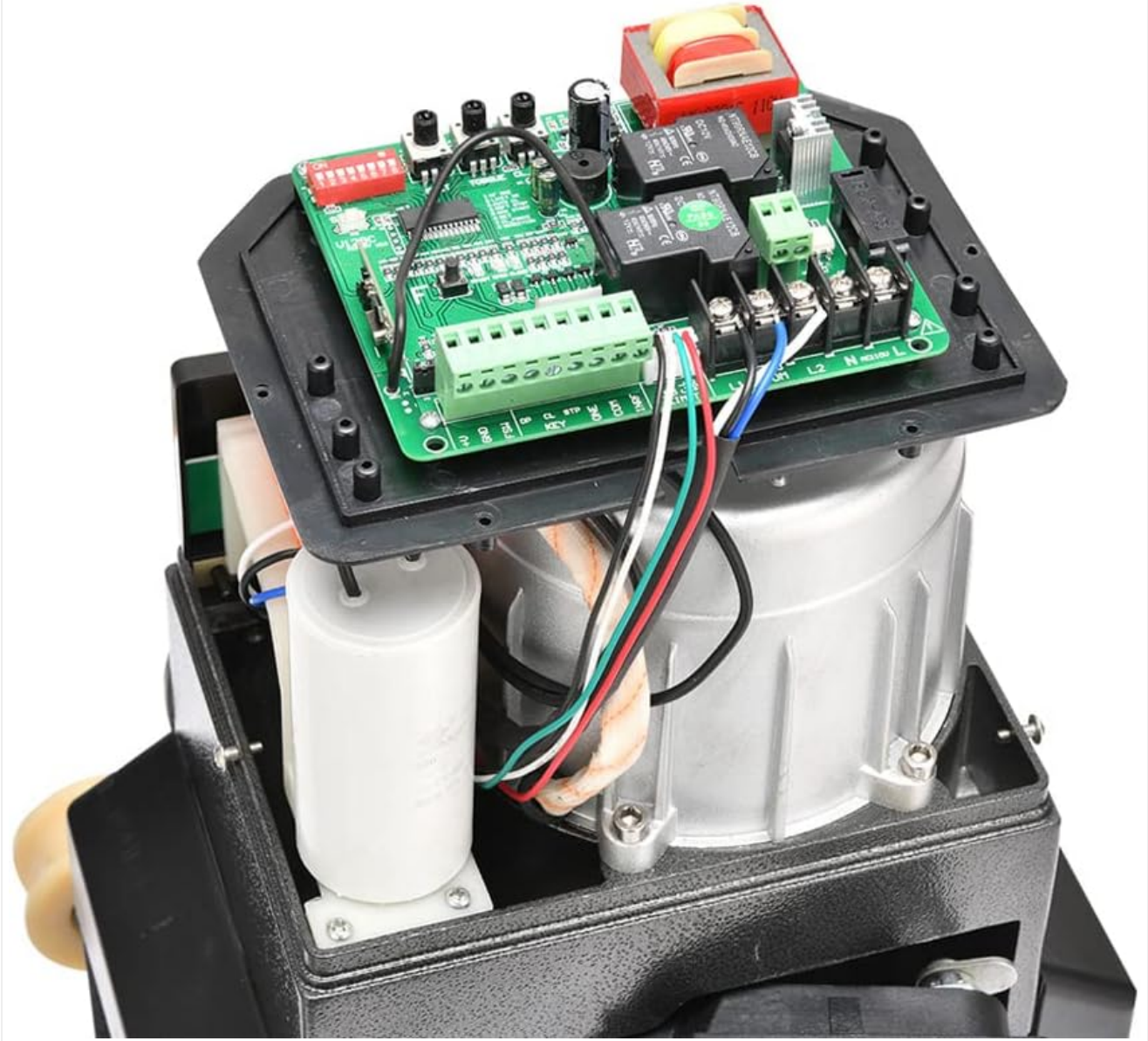


Figure 4.1: Internal view of the control board, highlighting the Hall limit control system for precise gate positioning.

5. SPECIFICATIONS

Feature	Specification
Manufacturer	JIELI
Model	1800lbs Gate Opener
Max Gate Weight	816.5 kg (1800 lbs)
Max Gate Length	12.2 m (40 ft)

Motor Power	370W AC
Remote Control Range	30.5 m (100 ft)
Chain Type	ANSI #428 Roller Chain
Total Chain Length	6 m (19.65 ft)
Package Dimensions	50.02 x 34.33 x 30.21 cm
Package Weight	20.17 kg
ASIN	B09CKP19WP

Max Gate Weight: 1800lb
Max Gate Length: 40 ft



Figure 5.1: Visual representation of the maximum gate weight and length supported by the opener, along with various compatible gate styles.

6. SETUP AND INSTALLATION

Proper installation is crucial for the safe and efficient operation of your gate opener. If you are unsure about any step, consult a qualified technician.

6.1 Site Preparation

- Ensure the gate slides smoothly and freely without obstruction.
- Clear the area around the gate path of any debris or obstacles.
- Verify that the gate structure is strong enough to support the opener and withstand operational forces.
- Plan for electrical wiring to the opener's location, ensuring it meets local electrical codes.

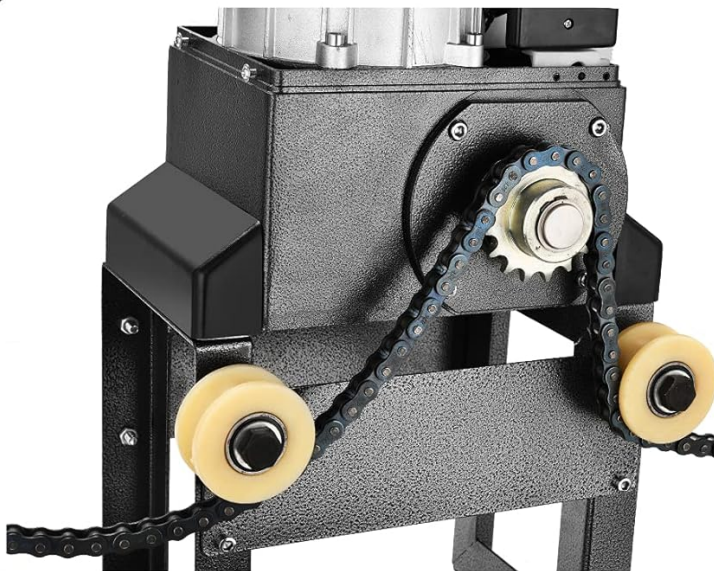
6.2 Mounting the Opener Unit

1. Position the opener unit on a stable, level surface adjacent to the gate. The unit should be mounted securely to a concrete pad or a robust mounting post.
2. Ensure the drive sprocket aligns correctly with the gate's chain path.
3. Secure the opener unit using the provided mounting hardware.

6.3 Installing the Drive Chain

1. Attach the drive chain securely to the gate. The chain should be taut but not overly tight, allowing for smooth movement.
2. Route the chain around the opener's drive sprocket.
3. Connect the two sections of the chain if necessary, using ANSI #428 roller chain sprockets for extension if a longer chain is required.

Power Failure Open the door manually



Stainless
steel gear
+
2 chains
Total length
19.65 feet

Figure 6.1: Detail of the stainless steel gear and chain drive system, showing the manual release mechanism.

6.4 Electrical Connections

- Connect the opener to a suitable power supply according to local electrical regulations.
- Ensure all wiring is properly insulated and protected from environmental elements.
- If installing accessories (e.g., safety sensors, keypads), refer to their respective manuals for wiring instructions.

6.5 Limit Switch Adjustment

The JIELI opener uses a Hall limit control system, which simplifies limit adjustment. The system automatically detects the gate's open and closed positions. Follow the specific instructions in the quick start guide (if provided) for initial setup and calibration of the gate travel limits.

7. OPERATING INSTRUCTIONS

7.1 Remote Control Operation

The gate opener comes with four remote controls. Each remote has four buttons for controlling the gate.

- **Open Button:** Press to open the gate.
- **Close Button:** Press to close the gate.
- **Stop Button:** Press to stop the gate's movement at any point.
- **Other Button:** May be programmable for specific functions or act as a secondary stop.

The remote control range is approximately 30.5 meters (100 feet). Ensure a clear line of sight for optimal performance.

JIELI Gate Opener at your service

The advertisement features a central image of the JIELI Gate Opener unit, which is black and white with a yellow warning triangle on the front. To its right is a black remote control with four buttons and a silver keychain. Below these are three small images illustrating user scenarios: a woman with an umbrella in the rain, a man driving a car, and an elderly man in a wheelchair. Each image has a caption below it.

When the weather is bad

When driving home

Elderly people inconvenient to walk

Figure 7.1: The gate opener and its remote control, demonstrating ease of use for various users and conditions.

ASILY SOLVE DOOR OPENING PROBLEMS

Chain Driven Sliding Gate Opener for Gates up to 1800 Pounds



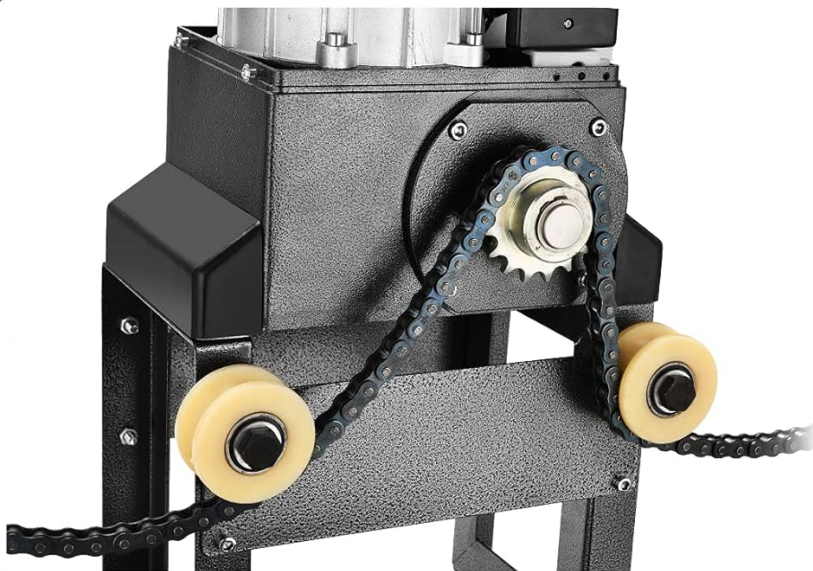
Figure 7.2: A user operating the sliding gate with the remote control, showing the wireless communication between the remote and the opener.

7.2 Manual Operation (Power Failure)

In the event of a power outage, the gate can be operated manually:

1. Locate the manual release lever on the side of the opener unit.
2. Insert the provided key into the lock and turn it to unlock the clutch.
3. Pull the lever to disengage the motor from the gate.
4. You can now manually push the gate open or closed.
5. To re-engage, push the lever back into position and turn the key to lock. Ensure the gate is fully closed or open before re-engaging to prevent damage.

Power Failure Open the door manually



Stainless
steel gear
+
2 chains
Total length
19.65 feet

Figure 7.3: Instructions for manual operation during a power failure, illustrating the key and lever for clutch release.

8. MAINTENANCE

Regular maintenance ensures the longevity and reliable operation of your JIELI gate opener.

- **Monthly:** Inspect the gate and opener for any loose bolts, worn parts, or obstructions. Clean the chain and lubricate it with appropriate chain lubricant.
- **Quarterly:** Check the electrical connections for corrosion or damage. Test the thermal protection by simulating an overload (consult a technician for this).
- **Annually:** Have a qualified technician inspect the entire system, including the motor, control board, and safety features.
- Keep the area around the opener unit clear of dirt, leaves, and debris.

9. TROUBLESHOOTING

This section addresses common issues you might encounter. For problems not listed here, contact customer

support.

Problem	Possible Cause	Solution
Gate does not respond to remote.	Dead remote battery, remote out of range, remote not paired, power outage.	Replace remote battery. Move closer to opener. Repair remote (refer to pairing instructions). Check power supply.
Gate stops mid-movement.	Obstruction, thermal overload, limit switch issue.	Remove obstruction. Allow motor to cool down. Check limit switch settings.
Motor runs but gate does not move.	Clutch disengaged, broken chain, drive sprocket issue.	Re-engage clutch. Inspect and repair/replace chain. Check drive sprocket for damage.
Gate opens/closes partially.	Incorrect limit switch settings, obstruction.	Re-adjust limit switches. Clear any obstructions.

10. WARRANTY AND CUSTOMER SUPPORT

For warranty information, please refer to the documentation provided at the time of purchase or contact your retailer. If you require technical assistance or have questions not covered in this manual, please contact JIELI customer support through the vendor's contact channels.