

[Manuals.plus](#) /

> [VASAGLE](#) /

> VASAGLE Wall Mounted Coat Rack Shelf LCR101B01 Instruction Manual

VASAGLE LCR101B01

VASAGLE Wall Mounted Coat Rack Shelf LCR101B01 Instruction Manual

Brand: VASAGLE | Model: LCR101B01

INTRODUCTION

This manual provides detailed instructions for the assembly, installation, and proper use of your VASAGLE Wall Mounted Coat Rack Shelf, model LCR101B01. Please read these instructions carefully before beginning assembly and retain them for future reference.

SAFETY INFORMATION

- Always follow the assembly instructions step-by-step.
- Ensure all parts are present before assembly. Do not proceed if any parts are missing or damaged.
- Mount the product only on solid walls. If mounting on drywall, use appropriate anchors and screws (not included) purchased from a hardware store.
- Do not exceed the maximum load capacities: 8.4 kg for the shelf, 2.3 kg per hook, and 10 kg for the hanging bar.
- Keep small parts away from children during assembly to prevent choking hazards.
- Use appropriate tools for assembly and installation.

PACKAGE CONTENTS

Verify that all components listed below are included in your package:

- 1 x Wall Mounted Coat Rack Shelf
- 1 x Assembly Tool Bag
- 1 x Instruction Manual

SPECIFICATIONS

Brand	VASAGLE
Model Number	LCR101B01
Color	Vintage Brown, Black
Material	Particleboard, Steel
Overall Dimensions	65 x 30 x 42 cm (W x D x H)
Shelf Dimensions	65 x 30 x 1.5 cm (W x D x Thickness)
Product Weight	3.3 kg
Max. Static Load Capacity (Shelf)	8.4 kg
Max. Static Load Capacity (per Hook)	2.3 kg
Max. Static Load Capacity (Hanging Bar)	10 kg
Mounting Type	Wall Mount
Number of Hooks	10
Recommended Surface	Solid Wall

SETUP AND ASSEMBLY

The VASAGLE Wall Mounted Coat Rack Shelf is designed for easy assembly. Follow the detailed instructions provided in the included manual and refer to the numbered parts.

- Preparation:** Unpack all components and verify against the package contents list. Ensure you have the necessary tools (e.g., pencil, drill, hammer, screwdriver).
- Marking:** Use a pencil to mark the drilling points on your wall according to the provided template or measurements.
- Drilling:** Drill holes at the marked points. For solid walls, use the provided wall plugs. For drywall, use appropriate drywall anchors (not included).
- Assembly:** Assemble the shelf and frame components as shown in the instruction manual, using the provided screws and tools.
- Mounting:** Securely attach the assembled unit to the wall using the appropriate screws. Ensure it is level and stable.
- Hook Installation:** Place the 10 removable hooks onto the hanging bars. These hooks can be adjusted horizontally to suit your needs.

Grazie alla struttura semplice, è facile da montare

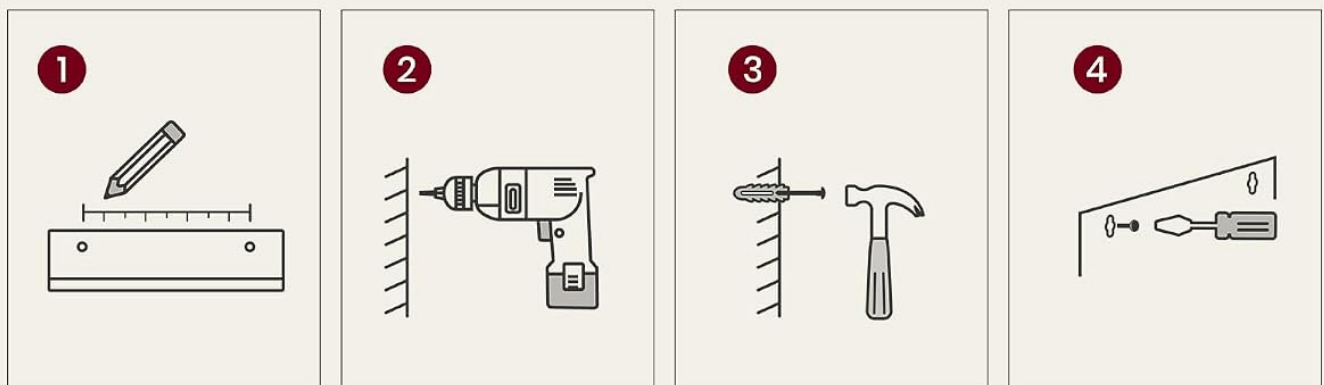
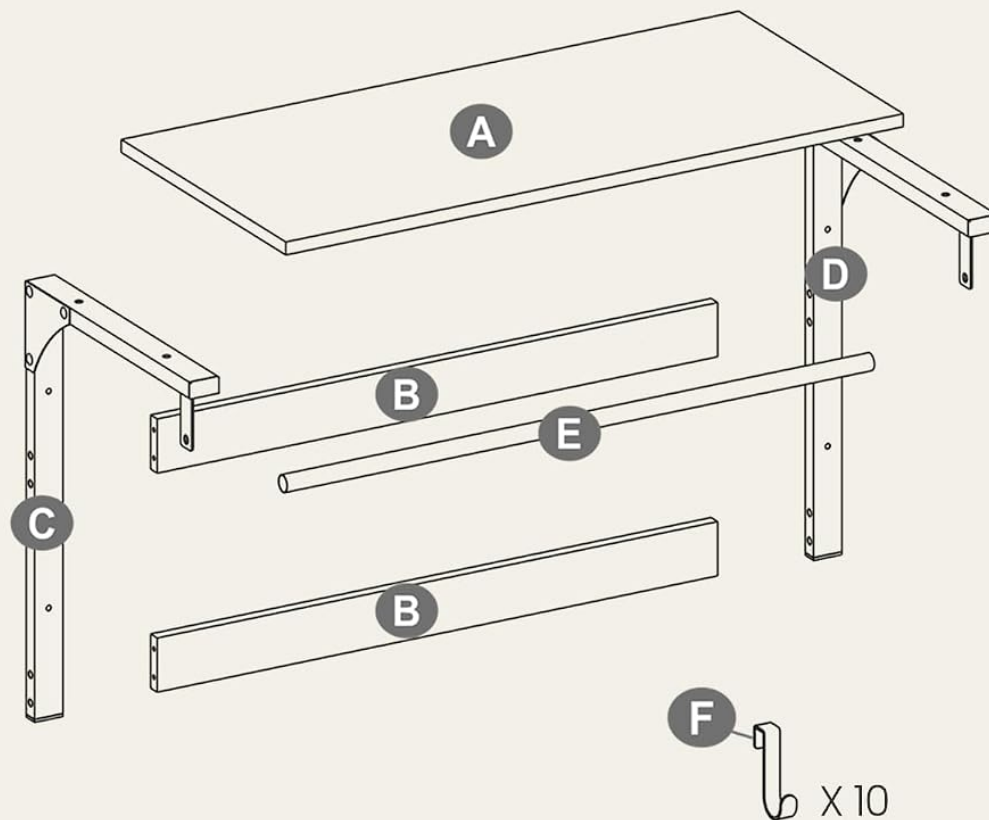


Figure 1: Assembly Steps Overview. This diagram illustrates the main components (shelf, frame, bars, hooks) and the four basic steps for installation: marking the wall, drilling holes, inserting wall plugs, and securing the unit with screws.

OPERATING AND USAGE

The VASAGLE Wall Mounted Coat Rack Shelf offers a 3-in-1 design for versatile storage in various rooms such as entryways, bedrooms, bathrooms, or laundry rooms.

- **Top Shelf:** Use the top shelf for displaying decorative items, storing small boxes, or placing frequently used items like keys or wallets. Ensure the weight does not exceed 8.4 kg.
- **Removable Hooks:** The 10 hooks can be slid along the bars to adjust their spacing. Hang coats, bags, scarves, towels, or other accessories. Each hook supports up to 2.3 kg.
- **Hanging Bar:** The integrated bar is suitable for hanging clothes on hangers, scarves, or other items. Do not exceed the 10 kg weight limit for the bar.



Figure 2: Product in Use. The image shows the coat rack shelf installed in an entryway, demonstrating its use for hanging coats, hats, and scarves, with decorative items on the top shelf.



Figure 3: Adjustable Hooks. This image highlights the versatility of the removable hooks, which can be repositioned along the hanging bars to accommodate various items.



Figure 4: Dimensions and Load Capacities. A visual representation of the product's overall dimensions and the maximum static load capacities for the shelf, hanging bar, and each individual hook.

MAINTENANCE

To ensure the longevity and appearance of your VASAGLE Wall Mounted Coat Rack Shelf, follow these maintenance guidelines:

- **Cleaning:** Wipe the surfaces with a soft, damp cloth. Avoid using harsh chemicals or abrasive cleaners, which can damage the finish.
- **Inspection:** Periodically check all screws and connections to ensure they remain tight. Retighten if necessary.
- **Load Management:** Always adhere to the specified load capacities to prevent damage or structural failure.
- **Environment:** Avoid prolonged exposure to direct sunlight or excessive moisture, which can affect the particleboard material.

TROUBLESHOOTING

If you encounter any issues with your coat rack shelf, consider the following common solutions:

- **Instability after mounting:** Ensure all wall anchors are correctly installed and screws are fully tightened. Verify that the wall surface is solid and suitable for mounting.
- **Hooks not sliding smoothly:** Check for any debris or obstructions on the hanging bars. Ensure hooks are correctly oriented.
- **Damage during assembly:** If a part is damaged, do not force it. Contact customer support for replacement parts.

WARRANTY INFORMATION

VASAGLE products are manufactured with quality and durability in mind. For specific warranty details, please refer to the documentation included with your purchase or visit the official VASAGLE website. Keep your proof of purchase for warranty claims.

CUSTOMER SUPPORT

If you have any questions, require assistance with assembly, or need to report a missing/damaged part, please contact VASAGLE customer support. Contact information can typically be found on the product packaging, the official VASAGLE website, or through your retailer.