

VISWIN ELAF_WJ7B_V

VISWIN 63" Black Wooden Tripod Display Easel Stand Instruction Manual

Model: ELAF_WJ7B_V

1. INTRODUCTION AND OVERVIEW

This manual provides detailed instructions for the assembly, operation, and maintenance of your VISWIN 63" Black Wooden Tripod Display Easel Stand. Designed for versatility and stability, this easel is suitable for displaying various items such as wedding signs, posters, pictures, and lightweight canvases. Please read these instructions carefully before use to ensure proper setup and safe operation.



Image 1.1: The VISWIN 63" Black Wooden Tripod Display Easel Stand.

2. PRODUCT FEATURES

- **Adjustable Display Tray:** Features a 25-inch long by 1.5-inch deep tray with a secure holder ledge, positioned 27 inches from the top for optimal viewing.
- **Sturdy Construction:** Made from premium pine wood with a black finish, ensuring durability and a sleek appearance.
- **Enhanced Stability:** Includes a metal support chain and adjustable angle mechanism for added stability.
- **Anti-Slip Feet:** Equipped with rubber feet to prevent sliding and maintain stability on various surfaces.
- **Lightweight and Portable:** Designed for easy transport and setup, making it suitable for events and exhibitions.
- **Weight Capacity:** Supports lightweight boards up to 10 lbs.



Sturdy hardware

Twist the nut to adjust the angle.

1 1/2" deep Tray

Holder ledge keeps board safe.



Anti-slip rubber foot

Keep easel stable on the surface.

Image 2.1: Detailed view of the easel's sturdy hardware, 1.5-inch deep tray, and anti-slip rubber feet.

Light-weight Display Easel

· Loading-weight not more than 10 lbs

The Effects of Placing Signs
of Different Sizes:



Image 2.2: The easel accommodating signs of different dimensions, demonstrating its adaptable design.

3. SETUP AND ASSEMBLY

The VISWIN Easel Stand is designed for quick and straightforward assembly. All necessary hardware and components are included. Please follow the steps below carefully.

3.1. Unpacking and Component Check

Carefully unpack all components and verify against the hardware and components list provided in the assembly diagram. Ensure no parts are missing or damaged.

3.2. Assembly Steps

Refer to the assembly diagram below for a visual guide. Each part is numbered for easy identification.

1. Connect the main leg sections as indicated in the diagram.
2. Attach the display tray to the main legs at the desired height using the provided hardware.
3. Secure the metal support chain to ensure the easel's stability and adjust the angle.
4. Ensure all connections are snug, but avoid using excessive force during assembly to prevent damage.

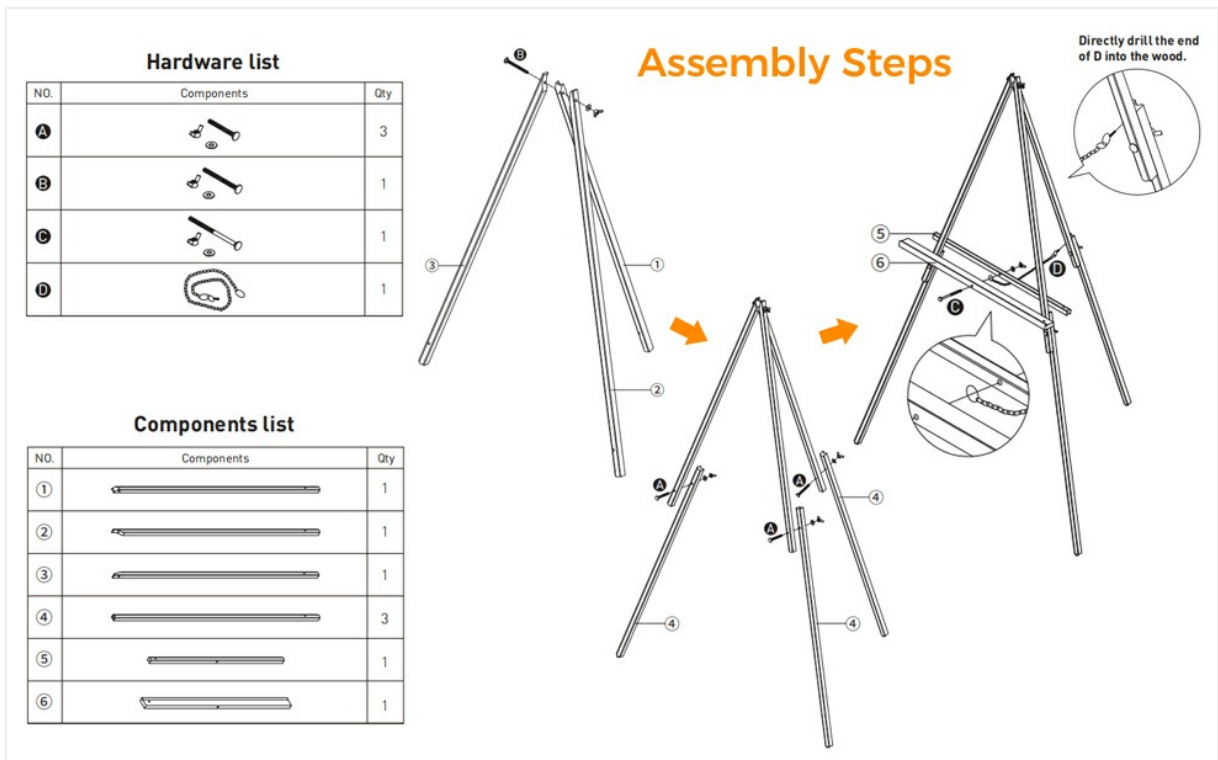


Image 3.1: Assembly diagram with hardware list, components list, and visual steps.



4. OPERATION AND USAGE

The VISWIN Easel Stand is designed for versatile display purposes. Follow these guidelines for optimal use:

4.1. Adjusting the Display Height and Angle

The display tray can be adjusted along the easel legs to accommodate different sign or canvas sizes. Loosen the nuts on the side of the tray, slide it to the desired position, and then tighten the nuts to secure it. The metal support chain allows for minor adjustments to the easel's angle for optimal presentation.

4.2. Weight Capacity

The easel is designed to support lightweight boards up to 10 lbs (approximately 4.5 kg). Do not exceed this weight limit to prevent damage to the easel or displayed item.

4.3. Indoor and Outdoor Use

This easel is suitable for indoor displays. For outdoor use, especially in windy conditions, it is recommended to add additional weights or anchors to the easel's legs to ensure stability and prevent it from tipping over.

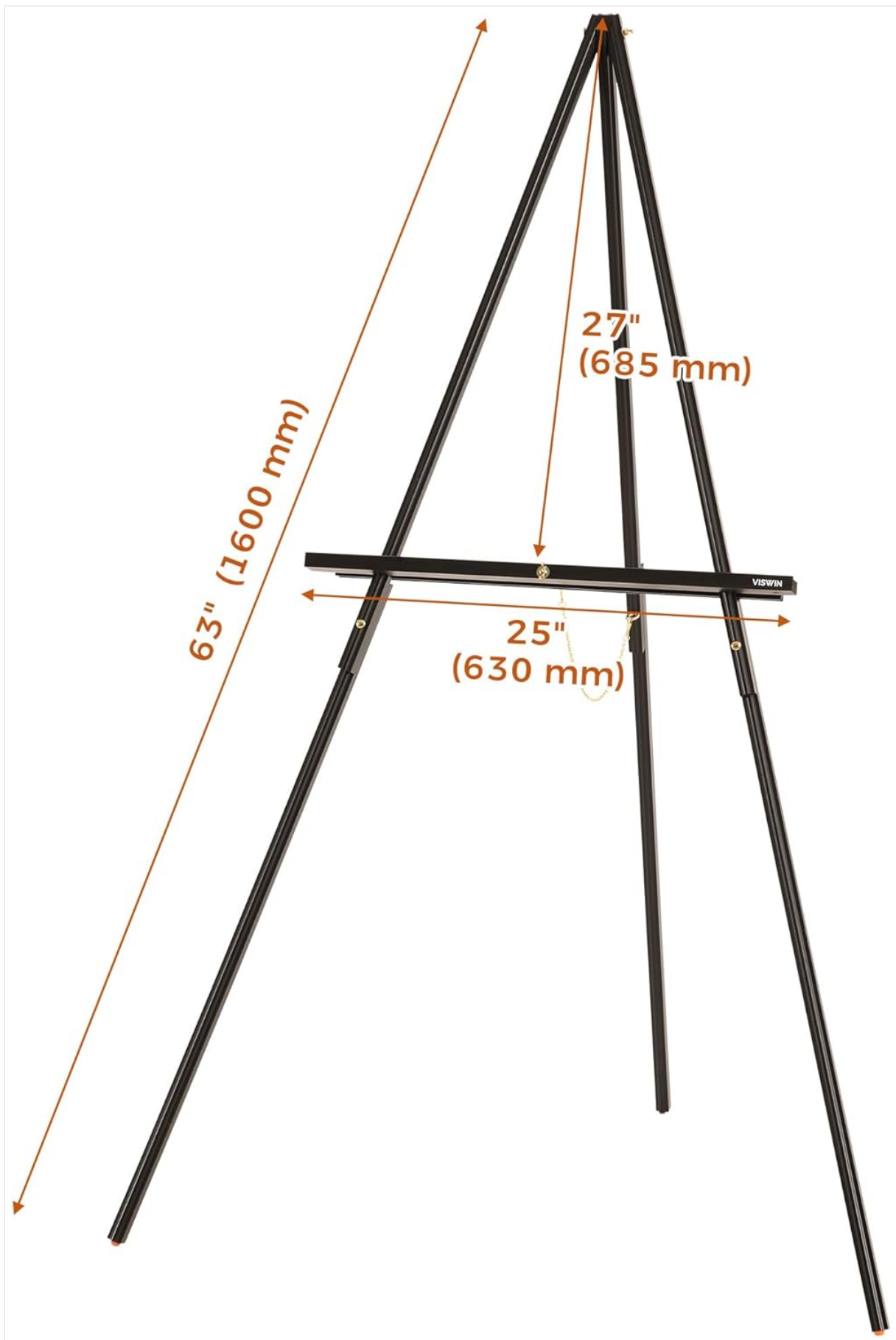


Image 4.1: Key dimensions of the easel, including overall height and tray placement.



WIDE APPLICATION

Suitable for various scenarios.



Image 4.2: Examples of the easel's wide application in different environments.

5. MAINTENANCE

To ensure the longevity and appearance of your VISWIN Easel Stand, follow these simple maintenance tips:

- **Cleaning:** Wipe the wooden surfaces with a soft, dry cloth. For stubborn marks, a slightly damp cloth can be used, followed immediately by a dry cloth. Avoid harsh chemicals or abrasive cleaners.
- **Hardware Check:** Periodically check all nuts and bolts to ensure they are securely tightened. Retighten if necessary.
- **Storage:** When not in use, store the easel in a dry environment away from extreme temperatures and direct sunlight to prevent wood warping or fading.
- **Inspection:** Regularly inspect the easel for any signs of wear or damage, especially to the wooden legs and rubber feet.

6. TROUBLESHOOTING

If you encounter any issues with your VISWIN Easel Stand, please refer to the following common problems

and solutions:

- **Easel feels unstable:**
 - Ensure all assembly hardware is securely tightened.
 - Verify that the metal support chain is properly attached and adjusted.
 - Check that the easel is placed on a flat, even surface.
 - For outdoor use, consider adding weights to the legs for increased stability.
- **Display tray is slipping:**
 - Ensure the nuts securing the display tray are fully tightened.
 - Confirm that the weight of the displayed item does not exceed the 10 lbs capacity.
- **Missing or damaged parts:**
 - If any components were missing or damaged upon arrival, please contact VISWIN customer support immediately for assistance.

7. SPECIFICATIONS

Attribute	Detail
Model Number	ELAF_WJ7B_V
Color	Black
Material	Pine Wood, Rubber
Product Dimensions (D x W x H)	70D x 70W x 160H Centimetres (approx. 27.5"D x 27.5"W x 63"H)
Item Weight	2 Pounds (approx. 0.9 kg)
Maximum Load Capacity	10 lbs
Assembly Required	Yes

8. WARRANTY AND SUPPORT

VISWIN is committed to providing high-quality products and customer satisfaction. Your VISWIN Easel Stand comes with a comprehensive warranty.

8.1. Warranty Information

VISWIN offers a **Warranty for Life** on all of our products. If the product you purchased from VISWIN is defective due to manufacturing defects, damage caused by non-external reasons under normal use, or if the easel collapses under normal use, we will repair or replace it for you in accordance with our policies.

8.2. Customer Support

Should you encounter any problems with your easel or have questions regarding its use, please do not hesitate to contact us. We are dedicated to providing satisfactory after-sales service and will respond promptly within 24 hours to assist you.

Contact: Please refer to the contact information provided with your purchase or visit the official VISWIN website for support details.



Image 8.1: VISWIN's commitment to product quality and customer support.