

INNOREL CT75C

INNOREL CT75C Carbon Fiber Tripod User Manual

Model: CT75C

INTRODUCTION

Thank you for choosing the INNOREL CT75C Carbon Fiber Tripod. This professional-grade tripod is designed for stability, portability, and versatility, making it suitable for various photography and videography applications with DSLRs, video camcorders, and other compatible devices. This manual provides detailed instructions for proper setup, operation, and maintenance to ensure optimal performance and longevity of your equipment.

PACKAGE CONTENTS

Please verify that all the following items are included in your package:

- 1 x Tripod Bag
- 1 x INNOREL CT75C Tripod (Main Body)
- 1 x Extension Pole (External Center Column)
- 1 x Weight Hook
- 3 x Allen Keys
- 3 x Stainless Steel Spikes



WORKING HEIGHT

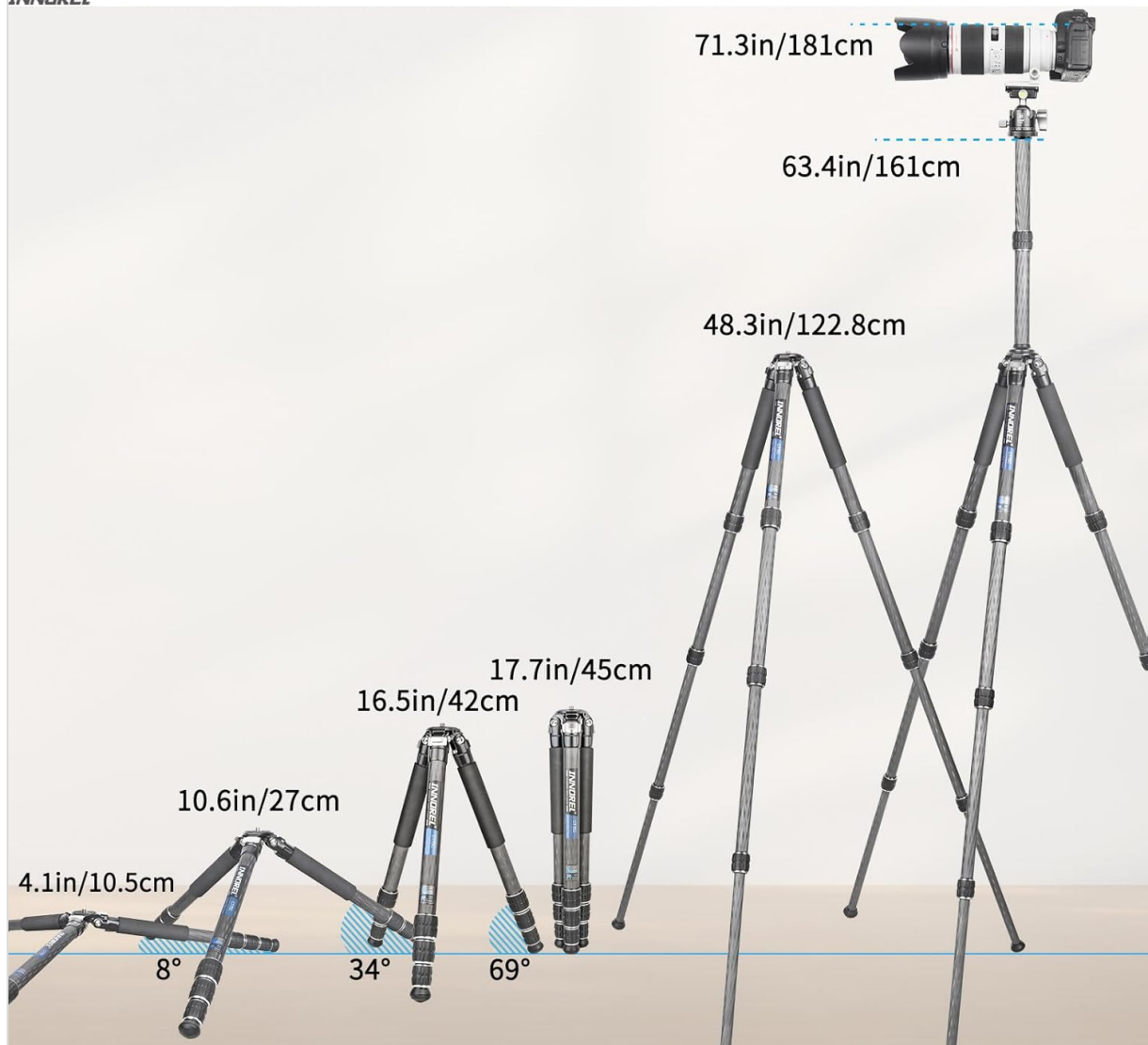


Figure 1: Package Contents of the INNOREL CT75C Tripod.

SETUP AND ASSEMBLY

1. Attaching a Tripod Head (Not Included)

The INNOREL CT75C tripod features a standard 3/8" screw for mounting a compatible tripod head. Ensure your ball head or pan head has a 3/8" mounting thread. Securely fasten the head onto the tripod's mounting platform by rotating it clockwise until tight. Some heads may also use a 1/4" screw adapter, which can be used with the tripod's 3/8" to 1/4" adapter if available on your head.



TRIPOD DETAILS



Figure 2: Tripod mounting plate with 3/8" screw.

2. Adjusting Leg Angles

Each leg can be independently adjusted to three different angles: 8°, 34°, and 69°. To adjust, pull out the angle adjustment buckle located at the top of each leg, set the leg to the desired angle, and release the buckle to lock it in place. This allows for stable positioning on uneven terrain or for low-angle shooting.

3. Extending and Retracting Legs

The tripod legs consist of 4 sections. To extend a leg section, twist the rubber sleeve lock counter-clockwise to loosen, pull the section out to the desired length, and then twist clockwise to tighten and secure. Repeat for all sections and legs. Ensure all leg locks are securely tightened before mounting equipment.



TUBE DETAILS

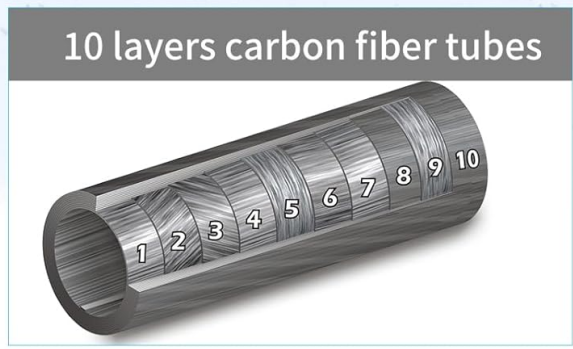


Figure 3: Tripod leg tube details and construction.

4. Using the External Center Column

The included 2-section external center column provides an additional 15.0 inches (38.2 cm) of height. To install, remove the existing mounting plate from the tripod (if applicable) and insert the extension pole. Secure it firmly. This allows for higher shooting perspectives when needed.

EXTERNAL CENTER COLUMN

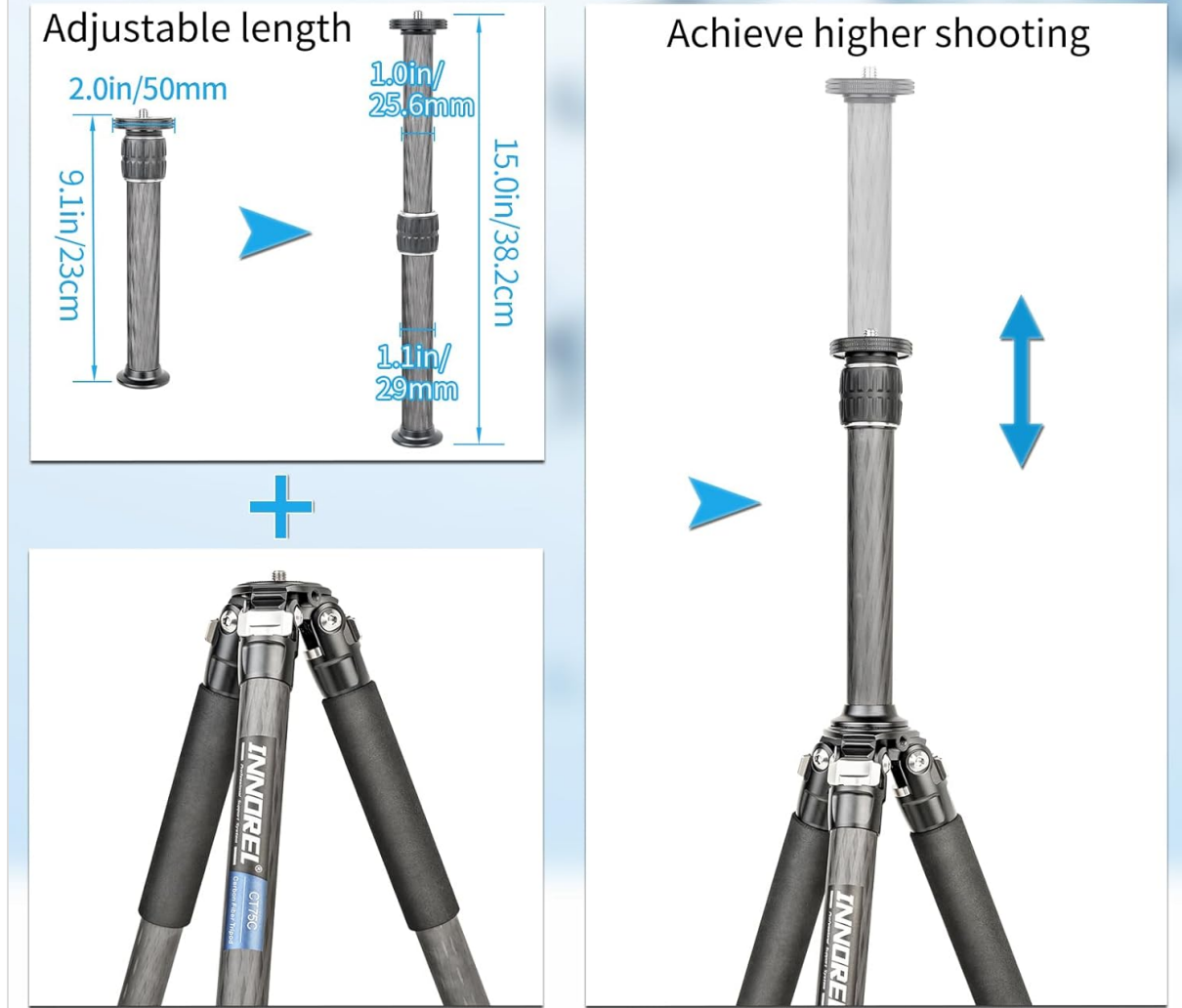


Figure 4: Installation and adjustment of the external center column.

5. Interchanging Feet

The tripod comes with interchangeable rubber feet and stainless steel spikes. Rubber feet are suitable for indoor use or smooth surfaces, while spikes provide better grip on soft ground, ice, or uneven outdoor terrain. To change, unscrew the existing feet and screw in the desired type. Ensure they are tightened securely.

6. Using the Weight Hook

A weight hook is located at the bottom of the tripod's main body. You can hang a counterweight (e.g., a camera bag or sandbag) from this hook to increase the tripod's stability, especially in windy conditions or when using heavy camera setups.

OPERATING INSTRUCTIONS

1. Adjusting Working Height

The INNOREL CT75C offers a maximum height of 63.4 inches (161 cm) without the external center column, and even higher with it. The minimum height is 9.5 cm, allowing for extremely low-angle shots. Adjust the leg sections and angles as described in the Setup section to achieve your desired shooting height and stability.



PACKING LIST

- | | |
|------------------------------|--------------------|
| 1. Tripod Bag x 1 | 2. Main Body x 1 |
| 3. Extension Pole x 1 | 4. Allen Key x 3 |
| 5. Stainless Steel Spike x 3 | 6. Weight Hook x 1 |



Figure 5: Various working heights and leg angle adjustments.

2. Load Capacity

This tripod is designed to support a maximum load of 44.1 lbs (20 kg). Always ensure your camera and lens setup, including any accessories, does not exceed this weight limit to maintain stability and prevent damage to your equipment or the tripod.

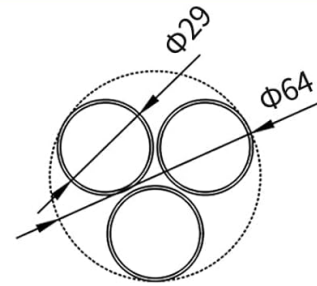
3. Compact Folding

For transport and storage, the tripod legs can be folded completely together, resulting in an ultra-compact folded length of 17.7 inches (45 cm). This design enhances portability, making it ideal for travel.



COMPACT STRUCTURE

All the three legs of this tripod can be completely closed together, this structure is ultra compact and portable.



Ultra Compact



Figure 6: Compact folding structure for portability.

MAINTENANCE

Proper maintenance ensures the longevity and reliable performance of your INNOREL CT75C tripod.

- **Cleaning:** After use, especially in dusty, sandy, or wet environments, wipe down the carbon fiber tubes and aluminum alloy parts with a soft, damp cloth. Avoid using harsh chemicals or abrasive materials.
- **Drying:** If the tripod gets wet, extend all leg sections and allow them to air dry completely before folding and storing to prevent corrosion.
- **Lubrication:** Periodically check the leg locks and joints. If they become stiff, apply a small amount of silicone-based lubricant. Avoid oil-based lubricants as they can attract dust.
- **Inspection:** Regularly inspect all screws, bolts, and connections for tightness. Use the provided Allen keys to tighten any loose components.
- **Storage:** Store the tripod in its bag in a cool, dry place away from direct sunlight and extreme temperatures.

TROUBLESHOOTING

If you encounter issues with your INNOREL CT75C tripod, consider the following common solutions:

- **Instability:** Ensure all leg sections are fully extended and all leg locks are securely tightened. Verify that the

leg angles are properly engaged. Check if the tripod head is firmly attached. Consider using the weight hook for added stability.

- **Legs not extending/retracting smoothly:** Clean the leg sections to remove any dirt or debris. If necessary, apply a small amount of silicone lubricant to the locking mechanisms.
- **Missing parts:** Refer to the "Package Contents" section. If any parts are missing upon arrival, contact INNOREL customer support immediately.

For further assistance, please refer to the Warranty and Support section.

SPECIFICATIONS

Detailed technical specifications for the INNOREL CT75C Carbon Fiber Tripod:

Feature	Specification
Brand	INNOREL
Model	CT75C
Material	Carbon Fiber (tubes), Aluminum Alloy (main body)
Tube Diameter	29.0mm / 25.6mm / 22.0mm / 18.8mm
Max Load Capacity	20 kg (44.1 lbs)
Max Height	161 cm (63.4 inches)
Min Height	9.5 cm (3.7 inches)
Net Weight	1.18 kg (2.6 lbs)
Folded Length	45 cm (17.7 inches)
Leg Sections	4
Adjustable Leg Angles	8° / 34° / 69°
Compatible Devices	Camcorder, Camera, Microscope, Smartphone, Telescope



SPECIFICATIONS

External Center Column

3 Adjustable Angles

Portable & Lightweight

10x Carbon Fiber

Brand	INNOREL
Model	CT75C
Material	carbon fiber (tube) aluminum alloy (body)
Max load	44.1lb/20kg
Net weight	2.6lb/1.18kg
Max height	63.4in/161cm
Folded length	17.7in/45cm
Sections	4
Tube Dia.	29.0/25.6/22.2/18.8mm



1/4" hole x 1
3/8" hole x 1

Figure 7: Overview of INNOREL CT75C specifications.

WARRANTY AND SUPPORT

Warranty Information

The INNOREL CT75C Carbon Fiber Tripod comes with a **2-year warranty** from the date of purchase. This warranty covers manufacturing defects and workmanship under normal use. It does not cover damage caused by misuse, accidents, unauthorized modifications, or normal wear and tear. Please retain your proof of purchase for warranty claims.

Customer Support

For technical support, warranty claims, or any questions regarding your INNOREL CT75C tripod, please contact INNOREL customer service through the retailer where you purchased the product or visit the official INNOREL website for contact information. When contacting support, please have your product model (CT75C) and proof of purchase ready.