

Manuals.plus /

› Cornat /

› Cornat NERSH1 Single-Lever Basin Faucet, Matte Black Edition Instruction Manual

Cornat NERSH1

Cornat NERSH1 Single-Lever Basin Faucet Instruction Manual

1. INTRODUCTION

This instruction manual provides comprehensive guidance for the installation, operation, and maintenance of your Cornat NERSH1 Single-Lever Basin Faucet. Please read this manual thoroughly before installation and use to ensure proper function and longevity of the product. Keep this manual for future reference.





Image 1: The Cornat NERSH1 Single-Lever Basin Faucet, featuring a matte black finish and a high, curved spout.

2. SAFETY INSTRUCTIONS

- Always shut off the main water supply before beginning any installation or maintenance work.
- Ensure all connections are properly sealed to prevent leaks.
- If you are unsure about any part of the installation process, consult a qualified plumber.
- Do not use abrasive cleaners or harsh chemicals on the faucet's surface, as this may damage the finish.
- Protect the faucet from frost.

3. INCLUDED COMPONENTS

Before starting the installation, verify that all parts are present and undamaged:

- 1 x Cornat NERSH1 Single-Lever Basin Faucet
- 1 x Connection Hose Kit (450 mm)
- 1 x 1 1/4" Push-Open Drain Valve

- Mounting Accessories (gaskets, nuts, fixing rod)



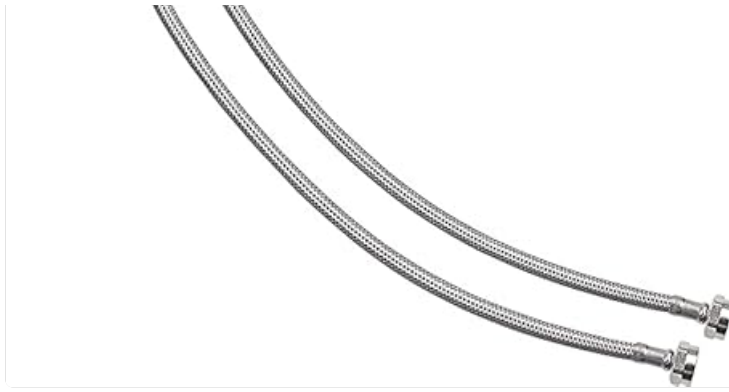


Image 2: An exploded view showing all components included with the Cornat NERSH1 faucet, such as the main faucet body, connection hoses, mounting hardware, and the push-open drain valve.

4. INSTALLATION INSTRUCTIONS

The Cornat NERSH1 faucet is designed for easy, tool-free stem fixation. Follow these steps for installation:

1. **Prepare the Basin:** Ensure the mounting hole on your basin is clean and free of debris.
2. **Install the Faucet:** Insert the faucet body into the mounting hole from above.
3. **Secure the Faucet:** From underneath the basin, slide the rubber gasket, metal washer, and fixing nut onto the threaded rod of the faucet. Hand-tighten the nut firmly to secure the faucet. The tool-free stem fixation allows for quick and easy tightening.
4. **Connect Water Hoses:** Connect the flexible connection hoses to the hot and cold water supply lines. Ensure the hot water connection is on the left and cold water on the right (standard plumbing practice). Tighten connections securely, but do not overtighten.
5. **Install Push-Open Drain Valve:** Follow the separate instructions provided with the 1 1/4" push-open drain valve for installation into the basin's drain hole. Ensure all seals are correctly placed to prevent leaks.
6. **Test for Leaks:** Once all connections are made, slowly turn on the main water supply and check all connections for any signs of leakage.

This faucet is suitable for connection to an instantaneous water heater or central hot water supply.



Image 3: The Cornat NERSH1 faucet elegantly installed on a white basin, demonstrating its appearance in a typical bathroom environment.

5. OPERATION

The Cornat NERSH1 features a single-lever design for convenient control of water flow and temperature.

- **Water Flow:** Lift the lever upwards to increase water flow. Push it downwards to decrease or shut off the flow.
- **Temperature Control:** Move the lever to the left for hot water and to the right for cold water. The ceramic cartridge allows for fine adjustment of the desired temperature.
- **Swivel Spout:** The high spout can be swiveled, providing flexibility and ample space for various basin tasks.
- **Push-Open Drain:** To open or close the basin drain, simply press the top of the drain valve.

6. MAINTENANCE

- **Cleaning the Faucet:** Clean the matte black finish regularly with a soft cloth and mild soap solution. Rinse thoroughly with clean water and dry immediately to prevent water spots. Avoid abrasive sponges, scouring agents, or cleaners containing alcohol, acids, or solvents, as these can damage the surface.
- **Aerator Maintenance:** Periodically unscrew the aerator at the end of the spout and clean any mineral deposits or debris. This helps maintain optimal water flow and spray pattern.
- **Cartridge Replacement:** The ceramic cartridge is designed for durability. If water flow or temperature control becomes inconsistent, the cartridge may need replacement. This is a standard plumbing component and can be replaced by a qualified professional.

7. TROUBLESHOOTING

Problem	Possible Cause	Solution
Water leaks from connections	Loose connections, damaged gaskets.	Tighten connections. Check and replace gaskets if necessary.
Low water pressure	Clogged aerator, partially closed stopcock, debris in supply lines.	Clean the aerator. Ensure stopcocks are fully open. Flush supply lines if needed.
Water temperature inconsistent	Faulty ceramic cartridge, issues with water heater.	Consult a plumber to inspect or replace the cartridge. Check water heater settings.
Push-open drain not functioning	Debris, mechanism obstruction.	Clean the drain mechanism. Ensure proper installation of the drain valve.

8. SPECIFICATIONS

- **Model:** NERSH1
- **Application:** Basin Faucet
- **Type:** Single-Lever Mixer
- **Water Supply:** Cold and Hot Water
- **Connection:** High Pressure (pressure resistant)
- **Installation Method:** Single-Hole, Deck Mounted
- **Material:** Brass body, Ceramic cartridge
- **Finish:** Matte Black
- **Total Height:** 276 mm
- **Spout Height:** 194 mm
- **Spout Reach:** 138 mm
- **Total Depth:** 175 mm
- **Connection Hose Length:** 450 mm
- **Weight:** 1.8 kg



Produkt-Abmessungen

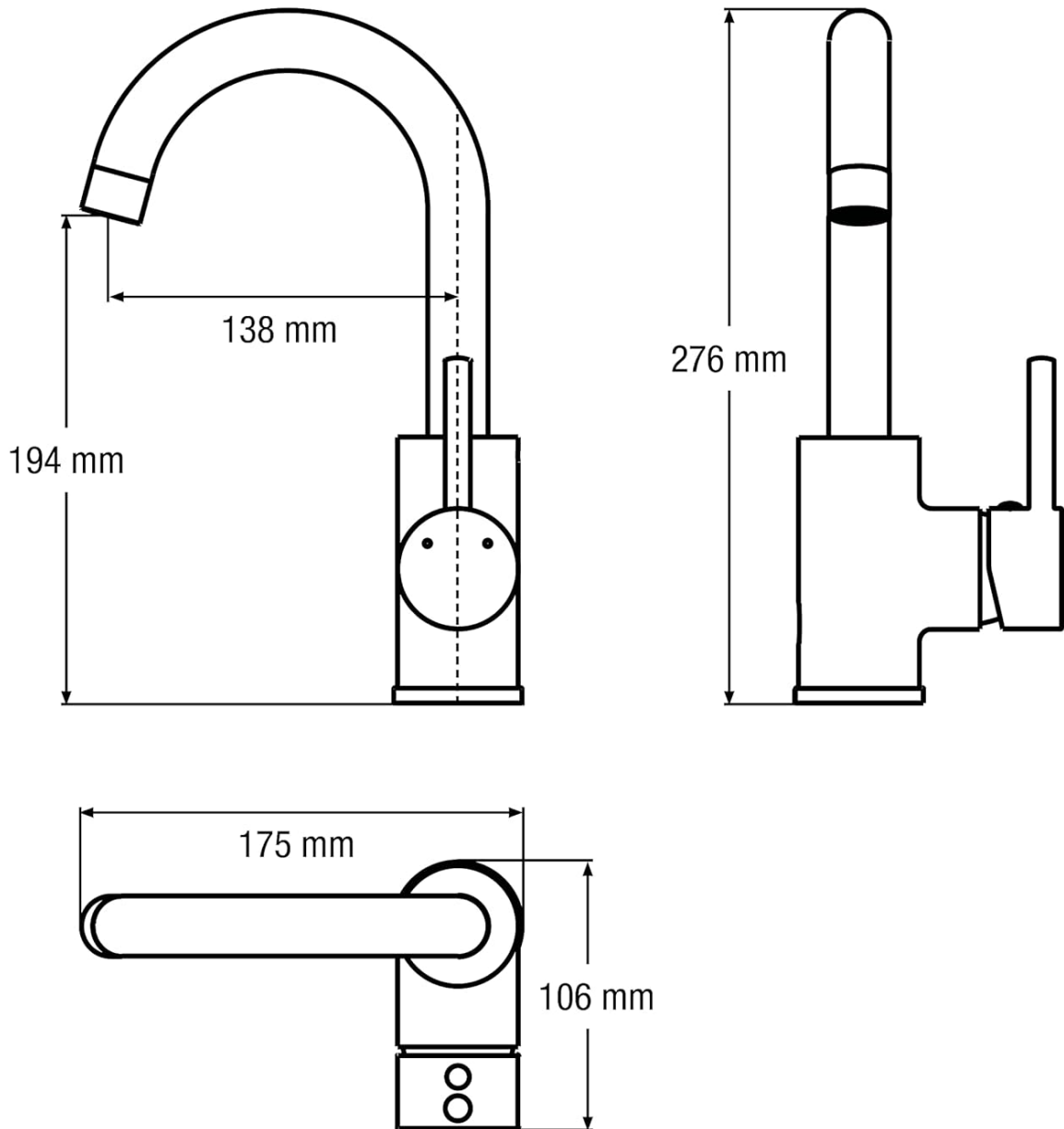


Image 4: A technical diagram illustrating the key dimensions of the Cornat NERSH1 faucet, including total height, spout height, and spout reach.

9. WARRANTY AND SUPPORT

For warranty information or technical support, please refer to the documentation provided with your purchase or contact Cornat customer service. Keep your proof of purchase for any warranty claims.