

## Manuals+

[Q & A](#) | [Deep Search](#) | [Upload](#)

Manuals.plus /

› [Mintu](#) /

› Mintu Refrigerator Door Bin Replacement Manual for Frigidaire, Kenmore, and White Westinghouse Models

## Mintu FRS6R4EQ7 FFHS2612LSE

# Mintu Refrigerator Door Bin Replacement Manual

For Frigidaire, Kenmore, and White Westinghouse Refrigerator Models

## 1. PRODUCT OVERVIEW

This manual provides essential information for the installation, use, and maintenance of your Mintu Refrigerator Door Bin replacement part. This bin is designed to replace damaged or missing door bins in various refrigerator models from Frigidaire, Kenmore, and White Westinghouse.



*Figure 1: Angled view of the Mintu Refrigerator Door Bin. This image shows the general shape and design of the replacement bin.*

## 2. COMPATIBILITY

This replacement door bin is compatible with a wide range of refrigerator models. Please verify your refrigerator's model number against the list below to ensure proper fit. The model number is typically located inside the refrigerator compartment or on the back of the unit.

### 2.1. Compatible Frigidaire Models:

- FFHS2611LW7, FFSS2614QS2A, FFHS2622MS9, FRS26RLECS2, FRS6R5EMBC, FRS26HF6BQ1, FRS26KR4CB3, FRS6R4EB1, FRS6HR4HB1, FFHS2622MSB, FRS6LR5EM2, FFHS2611LW4, FRS6HR35KW1
- FFHS2622MBNA, FFHS2622MSYA, FFHS2611LWB, FFSS2614QS6A, FFHS2611LBRA, FFHS2611LWF, FRS6R3EW4, FFHS2611PFEA, FFHS2611LBMA, FFHS2622MWD, FRS6KR5JSB6, FRS6R5EMBL, FFSS2614QE6A, FFHS2622MBE, FFHS2611LBC, FFHS2611LWHA, FRS6HR35KS0, FFHS2612LS4, FFHS2622MH3, FRS6R5ESBE, FFHS2622MS3, FFSS2614QS3A, FFHS2611PFBA, FFSS2614QS1A, FRS26HF6BQ, 6FRS6R4EW2, FFHS2611LBK, FRS6R5ESBL, FRS26HF6BB2, FRS6LR5EB3, FFHS2611LQ0, FRS26RLECSP, FRS6HR35KB0, FFUS2613LS4, FFHS2622MSN, FRS26LF7DS7, FFSS2622NS3
- FRS6R4EQ7, FFHS2612LSE, FFUS2613LS2, FFHS2611LBLA, FRS6R4EQ6, FFHS2611PFAA, FFHS2622MSA, FRS26LF7DS2, FRS6LR5EB6, FRS6LR5EW6, FFHS2622MW3, FRS26R4AQ5, FRS26KW3AB5, FRS26RLECSG, FRS26F4CW1, FRS6HR35KW0, FRS6LF7JS0, DGUS2645LF3, FRS6HR5HW6, FFHS2622MBA, FFHS2622MB9, FFUS2613LM4, FFHS2611PF7, FFHS2622MSC, FRS6R5ESBC, FFHS2622MSJ, FRS6R5ESB0, PHS66EJSB0, FFHS2622MW0, FRS6HR4HW2, FFSS2614QE4A, FFHS2622MB3, FRS26RLECS0, FRS6LR5EM3, FFHS2611PF4, FRS6HR35KS

### 2.2. Compatible Kenmore Models:

- 253.52624201, 253.53612301, 253.57388600, 253.52649301, 2535470340A

### 2.3. Compatible White Westinghouse Models:

- WWSS2601KW6

## 3. SAFETY INFORMATION

Always prioritize safety when working with appliances. Before attempting any installation or replacement, ensure the refrigerator is unplugged from the power outlet to prevent electrical hazards. Handle the new bin carefully to avoid damage or injury.

## 4. SETUP AND INSTALLATION

Replacing a refrigerator door bin is generally a straightforward process. Follow these steps for proper installation:

1. **Unplug the Refrigerator:** Disconnect the refrigerator from its power source.
2. **Remove Existing Bin (if applicable):** If replacing a damaged bin, carefully lift the old bin upwards and pull it out from the door liner.
3. **Identify Placement:** Determine the desired location for the new door bin. Refrigerator doors typically have molded slots or rails designed to hold the bins.
4. **Insert New Bin:** Align the new Mintu door bin with the designated slots or rails on the refrigerator door. Gently push the bin downwards until it clicks securely into place. Ensure it is level and stable.

5. **Test Stability:** Lightly tug on the installed bin to confirm it is firmly seated and will not easily dislodge.
6. **Restore Power:** Plug the refrigerator back into the power outlet.

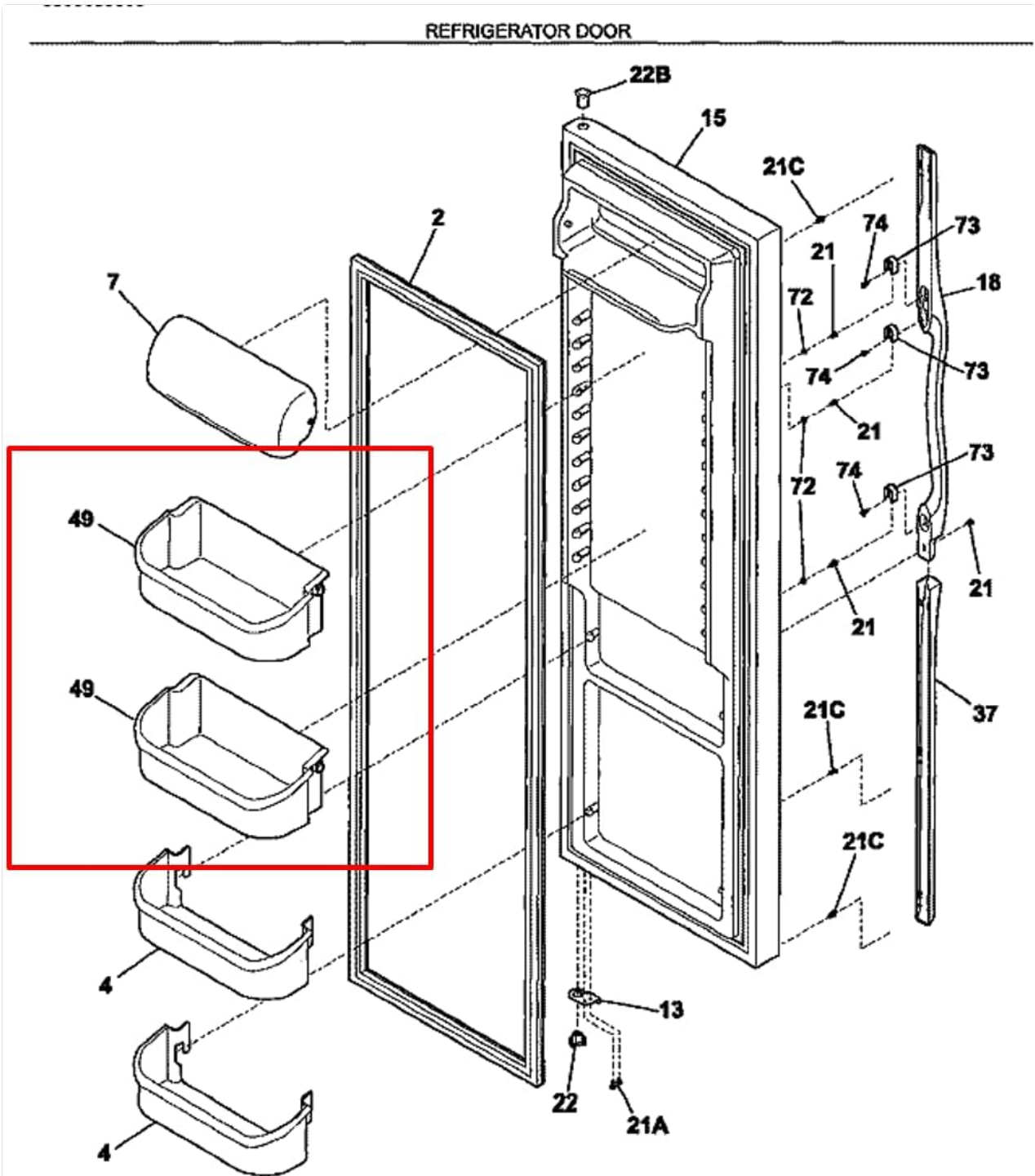


Figure 2: Exploded diagram of a refrigerator door, illustrating typical door bin placement (highlighted in red). This diagram helps visualize where the bins attach to the door liner.



*Figure 3: Top-down view of the Mintu Refrigerator Door Bin. This perspective shows the overall dimensions and internal space of the bin.*

## **5. OPERATING INSTRUCTIONS**

---

Once installed, the door bin functions as a storage compartment within your refrigerator door. It is designed to hold various items such as condiments, beverages, and smaller food containers. Avoid overloading the bin to prevent damage or dislodgement.



Figure 4: Side view of the Mintu Refrigerator Door Bin. This image highlights the depth and contour of the bin, which helps it fit securely into the refrigerator door.

## 6. MAINTENANCE

---

To ensure hygiene and prolong the life of your door bin:

- **Cleaning:** Regularly remove the bin for cleaning. Wash with warm, soapy water and a soft cloth. Rinse thoroughly and dry completely before re-installing.
- **Avoid Harsh Chemicals:** Do not use abrasive cleaners, scouring pads, or harsh chemical solvents, as these can damage the plastic.
- **Inspection:** Periodically inspect the bin for any signs of cracks or damage. Replace if necessary to prevent items from falling.

## 7. TROUBLESHOOTING

---

If you encounter issues with your replacement door bin, consider the following:

- **Bin Does Not Fit:** Double-check the model numbers listed in Section 2 against your refrigerator's model. Ensure the bin is oriented correctly and aligned with the door's mounting slots.
- **Bin Feels Loose:** Remove the bin and re-install, ensuring it clicks firmly into place. Verify that no debris is obstructing the mounting slots.
- **Cracks or Damage:** If the bin arrives damaged or develops cracks during normal use, discontinue use and contact customer support for assistance.

## 8. SPECIFICATIONS

---

- **Brand:** Mintu
- **Part Number:** FRS6R4EQ7 FFHS2612LSE
- **Material:** Durable plastic (typical for refrigerator bins)
- **Compatibility:** Refer to Section 2 for a comprehensive list of compatible models.

## 9. WARRANTY AND SUPPORT

---

For specific warranty information or if you require further assistance with your Mintu Refrigerator Door Bin, please refer to the product packaging or contact the seller directly through your purchase platform. Provide your order details and the product's ASIN (B09B54M6JS) for quicker service.