

RIDGID R4041S

RIDGID R4041S 8-inch Wet Tile Saw Instruction Manual

Model: R4041S

1. IMPORTANT SAFETY INFORMATION

Always read and understand all safety warnings and instructions before operating this wet tile saw. Failure to follow these instructions may result in electric shock, fire, and/or serious injury.

- Wear appropriate personal protective equipment (PPE), including eye protection, hearing protection, and gloves.
- Ensure the work area is clean, well-lit, and free from obstructions.
- Do not operate the saw in wet or damp conditions, except for the intended wet cutting operation where water is contained.
- Keep hands and body clear of the blade at all times.
- Disconnect power before making any adjustments, changing accessories, or performing maintenance.
- Use only RIDGID recommended accessories and blades.

2. PRODUCT OVERVIEW

The RIDGID R4041S 8-inch Wet Tile Saw is designed for cutting various types of tile and masonry materials. It features a powerful 12 Amp motor, an extended rip capacity, and a folding stand for convenience.



Figure 2.1: Overview of the RIDGID R4041S 8-inch Wet Tile Saw assembled on its stand.

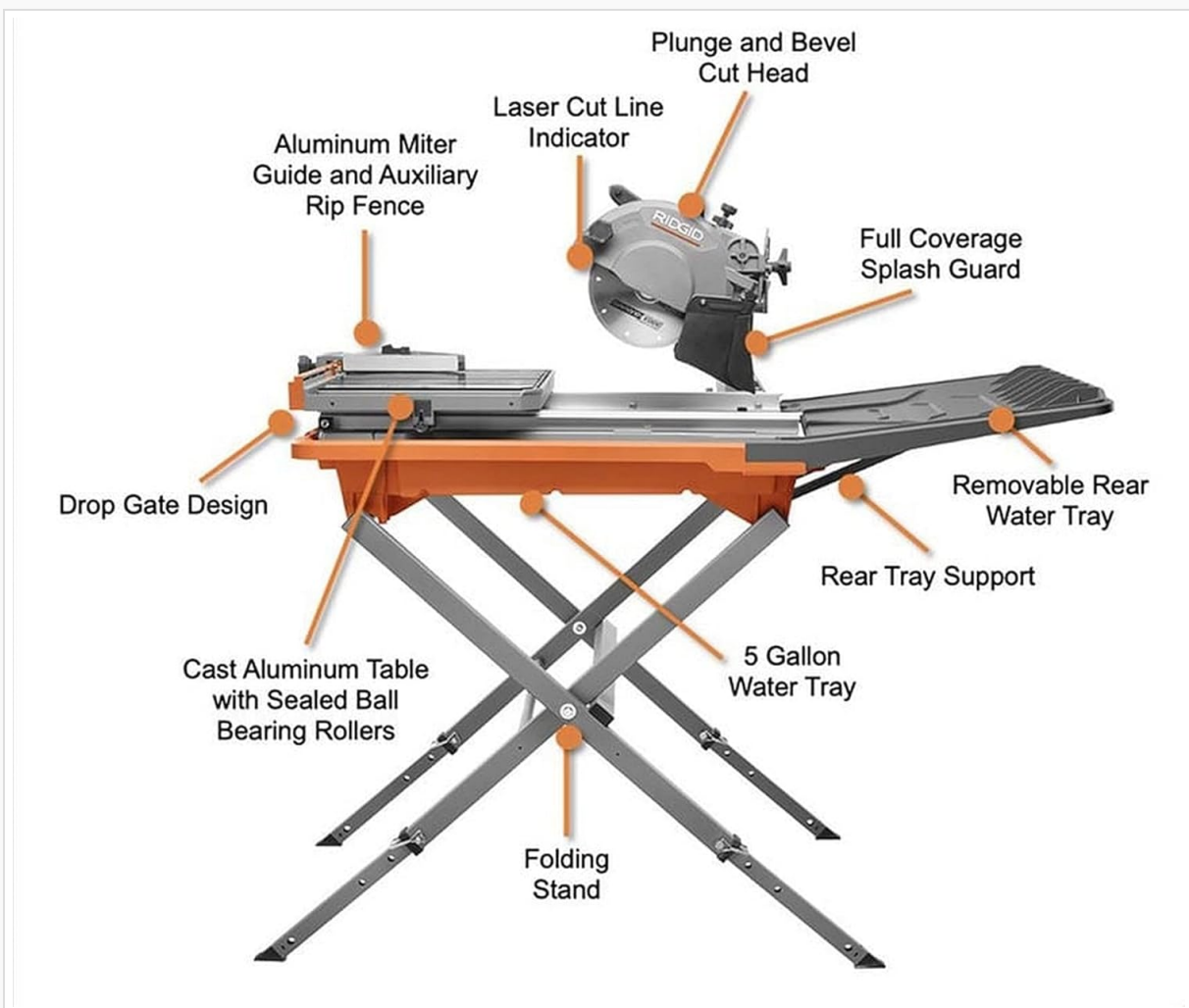


Figure 2.2: Labeled diagram illustrating key components of the RIDGID R4041S Wet Tile Saw, including the plunge and bevel cut head, laser cut line indicator, full coverage splash guard, removable rear water tray, 5-gallon water tray, folding stand, cast aluminum table with sealed ball bearing rollers, drop gate design, and aluminum miter guide with auxiliary rip fence.

3. SETUP AND ASSEMBLY

3.1 Assembling the Stand

1. Unfold the stand legs until they lock into position.
2. Adjust the stand height using the tool-less adjustment mechanism to a comfortable working level.
3. Ensure the stand is stable on a level surface.

3.2 Mounting the Saw to the Stand

Carefully place the tile saw onto the assembled stand, aligning the mounting points. Secure the saw to the stand using the provided hardware, ensuring all connections are tight.

3.3 Water System Preparation

1. Ensure the 5-gallon water tray is clean and properly seated.
2. Fill the water tray with clean water to the recommended level, ensuring the pump is fully submerged.
3. Verify that the water nozzle system and splash guards are correctly positioned to direct water onto the blade and contain spray.

3.4 Blade Installation (If not pre-installed)

1. Disconnect the saw from power.
2. Remove the blade guard.
3. Using the provided hex wrench, loosen the blade arbor nut.
4. Install the 8-inch diamond cutting wheel, ensuring the rotation arrow on the blade matches the saw's rotation direction.
5. Tighten the arbor nut securely.
6. Reinstall the blade guard.

4. OPERATING INSTRUCTIONS

4.1 Basic Cutting Procedures

1. Plug the saw into a grounded outlet.
2. Turn on the saw and allow the water pump to circulate water to the blade.
3. Place the tile firmly against the miter/rip guide.
4. Slowly push the tile through the blade, maintaining steady pressure.
5. Allow the blade to cool and clear debris between cuts.



Figure 4.1: Proper technique for feeding a tile through the saw blade for a straight cut.

4.2 Using the Drop Gate Feature for Extended Rip Capacity

The innovative drop gate feature allows for unlimited rip cut capacity on plank-style tile. To use:

1. Unlock the table fence.
2. Lower the table fence to the desired position.
3. Secure the fence. This allows longer tiles to pass through the saw without obstruction from the fence.

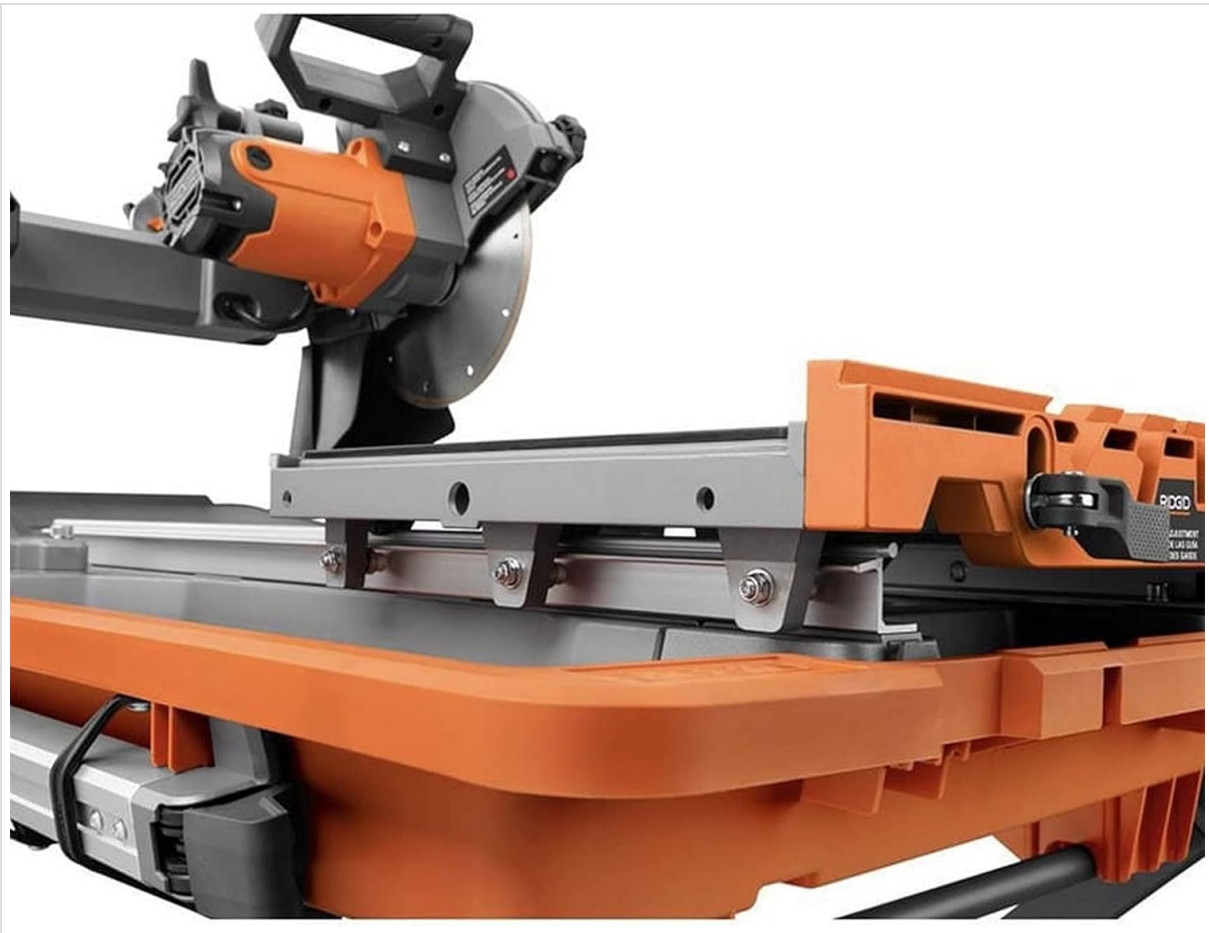


Figure 4.2: Detail of the saw's table and adjustable fence, highlighting the mechanism for extended rip cuts.

4.3 Miter and Bevel Cuts

- **Miter Cuts:** Adjust the aluminum miter guide to the desired angle (0° to 45° left or right).
- **Bevel Cuts:** Adjust the saw head to the desired bevel angle. Refer to the saw's markings for precise angle settings.

4.4 Plunge Cuts

For plunge cuts, ensure the saw head is in the raised position. Lower the spinning blade slowly into the tile at the desired location. Always secure the tile before performing a plunge cut.

5. MAINTENANCE

Regular maintenance ensures optimal performance and extends the life of your tile saw.

5.1 Cleaning

- After each use, disconnect power and drain the water tray.
- Clean all components, especially the water pump, nozzles, and splash guards, to prevent mineral buildup and clogging.
- Wipe down the table and guides to remove tile dust and debris.

5.2 Blade Replacement

Replace the diamond cutting wheel when it becomes dull or damaged. Follow the blade installation steps in Section 3.4.

5.3 Water System Care

Periodically inspect the water pump and hoses for blockages or damage. Ensure the rear water tray is clear to maintain maximum water efficiency.

6. TROUBLESHOOTING

Problem	Possible Cause	Solution
Saw does not start	No power, tripped circuit breaker, faulty switch	Check power connection, reset breaker, contact service if switch is faulty.
Blade not cutting efficiently	Dull blade, incorrect blade for material, insufficient water flow	Replace blade, ensure correct blade type, check water pump and nozzles.
Water leaks or excessive spray	Loose connections, damaged splash guard, clogged drain	Check hose connections, inspect splash guards, clear water tray and drain.
Inaccurate cuts	Misaligned fence/guide, worn blade, unstable work surface	Verify fence/guide alignment, replace blade, ensure stand stability.

7. SPECIFICATIONS

Feature	Detail
Brand	RIDGID
Model Number	R4041S
Motor	12 Amp, 1.2 HP
Blade Diameter	8 inches
Rip Capacity	24 inches (standard), Unlimited (with drop gate)
Diagonal Cut Capacity	18 inches
Max Cut Depth	2-3/4 inches
Voltage	120 Volts (AC)
Wattage	895 watts
Item Weight	72.8 pounds
Product Dimensions	20"L x 17"W x 27"H
Power Source	Corded Electric
Included Components	Hex wrench, 8 in. diamond cutting wheel, operator's manual

8. WARRANTY AND SUPPORT

This RIDGID product is covered by a **Lifetime Warranty** and a **Lifetime Service Agreement**. For detailed

warranty information or technical support, please visit the official RIDGID website or contact customer service.

For more information, you may visit the [RIDGID Store](#).

© 2023 RIDGID. All rights reserved.