



Manuals.plus /

- › Ideal Standard /
- › Ideal Standard Astor R034801 Wall-Mounted Toilet Set User Manual

Ideal Standard R034801

Ideal Standard Astor R034801 Wall-Mounted Toilet Set

Model: R034801

1. PRODUCT OVERVIEW

The Ideal Standard Astor R034801 wall-mounted toilet set is designed for modern bathrooms, offering a combination of durability, hygiene, and comfort. This set includes a white glazed porcelain toilet bowl with a rim and a comfortable polypropylene toilet seat.

Key features include practical dimensions for easy integration into various spaces, a robust glazed porcelain construction, and an efficient flushing system designed to minimize splashing and maintain hygiene.



Figure 1: Front view of the Astor wall-mounted toilet with the lid closed.



Figure 2: Front view of the Astor wall-mounted toilet with the lid open, showing the bowl interior.

2. SAFETY INFORMATION

- Always ensure the main water supply is turned off before beginning any installation or maintenance procedures.
- Handle ceramic components with care to prevent chipping or breakage. Ceramic can be heavy and brittle.

- Use appropriate personal protective equipment (PPE) such as gloves and eye protection during installation.
- Ensure all connections are watertight to prevent leaks and water damage.
- Follow all local plumbing codes and regulations during installation. If unsure, consult a qualified plumber.

3. PACKAGE CONTENTS

Verify that all components are present and undamaged before proceeding with installation:

- Wall-mounted toilet bowl (Glazed Porcelain)
- Toilet seat (Polypropylene)
- Mounting kit (for toilet bowl)
- Installation manual (this document)

4. SPECIFICATIONS

Feature	Specification
Model Number	R034801
Brand	Ideal Standard
Color	White
Toilet Bowl Material	Glazed Porcelain
Toilet Seat Material	Polypropylene
Style	Classic
Shape	Oval
Product Dimensions (L x W)	49L x 31.5W centimeters
Overall Dimensions (Depth x Width x Height)	52.5 cm x 37 cm x 40 cm (standard height)
Item Weight	13.7 Kilograms
Operating Mode	Manual
Country of Origin	Bulgaria
Spare Parts Availability (EU)	10 Years

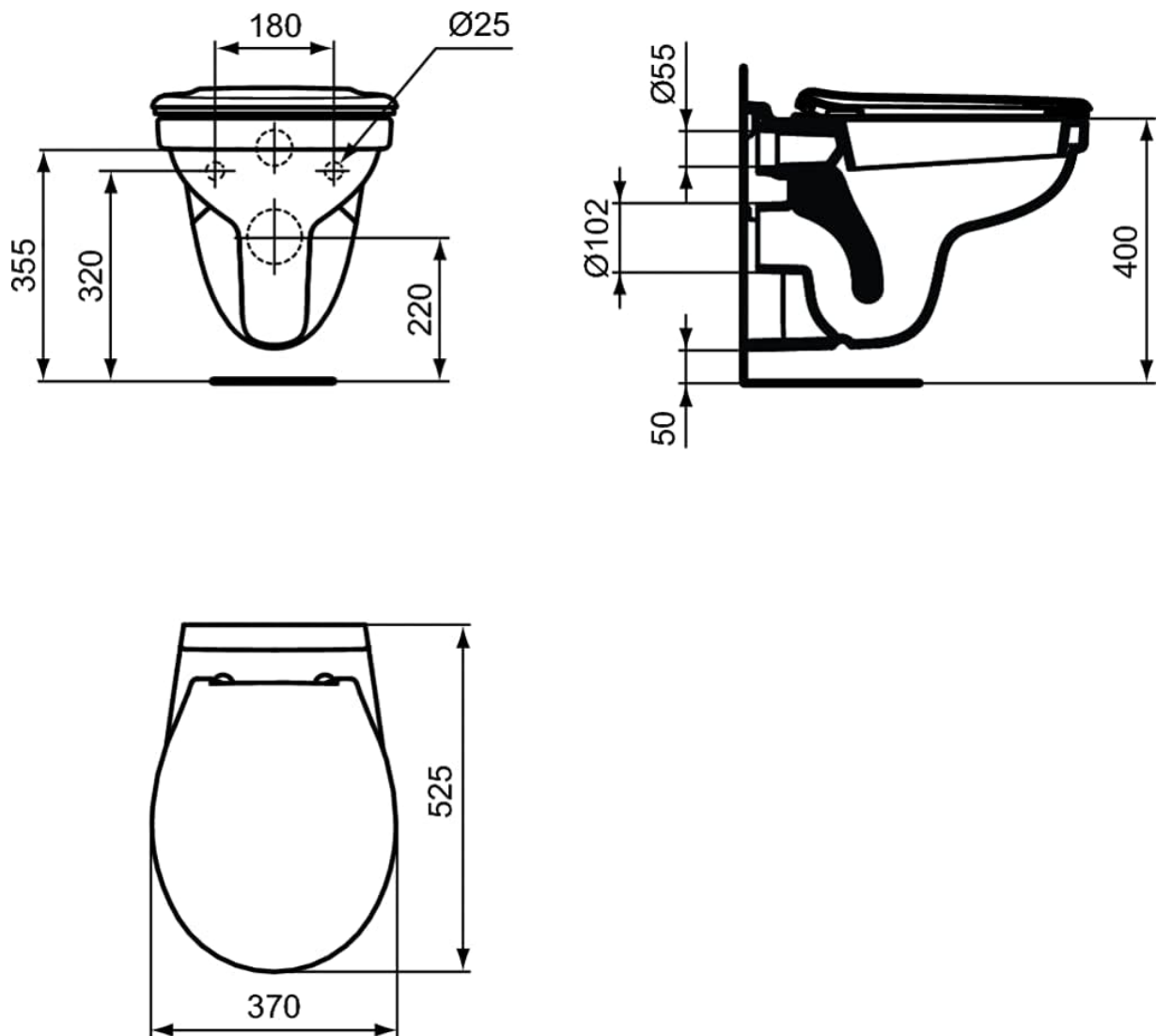


Figure 3: Technical drawing showing key dimensions of the Astor wall-mounted toilet.

5. SETUP AND INSTALLATION

The Astor R034801 wall-mounted toilet is designed for straightforward installation with a compatible support frame. It is compatible with the entire range of Ideal Standard Prosys support frames, including freestanding and mechanical models.

5.1 Pre-Installation Steps

- Ensure the wall structure is adequate to support the weight of the toilet and user.
- Install the chosen Ideal Standard Prosys support frame according to its specific instructions. Ensure it is level, secure, and correctly plumbed for water supply and waste.
- Verify that the water supply is turned off at the main valve.

5.2 Mounting the Toilet Bowl

1. Carefully position the toilet bowl onto the threaded rods extending from the support frame.
2. Connect the waste pipe and water inlet to the corresponding outlets on the toilet bowl. Ensure all seals are correctly seated and connections are tight to prevent leaks.
3. Use the provided mounting kit (washers, nuts, caps) to secure the toilet bowl firmly to the support frame. Do not overtighten, as this can damage the ceramic.
4. Apply a bead of silicone sealant around the base of the toilet where it meets the wall/tiles for a neat finish and to prevent water ingress.

5.3 Installing the Toilet Seat

1. Insert the plastic hinges into the designated holes on the toilet bowl.
2. Place the toilet seat onto the hinges and secure it according to the seat's specific instructions. Ensure the seat is aligned correctly and does not wobble.



Figure 4: Side view of the Astor wall-mounted toilet, illustrating its profile for installation.

6. OPERATING INSTRUCTIONS

The Astor R034801 toilet operates manually via the flush mechanism connected to your chosen cistern system.

- **Flushing:** Press the flush button on your cistern plate to activate the flush. The rimmed design of the toilet bowl ensures optimal water distribution for effective cleaning.
- **Toilet Seat Usage:** The polypropylene toilet seat is designed for comfort and durability. Lift and lower the seat gently to prevent damage.

7. MAINTENANCE AND CLEANING

Regular cleaning and maintenance will ensure the longevity and hygienic performance of your Ideal Standard Astor toilet set.

7.1 Cleaning the Toilet Bowl and Seat

- Use a soft sponge or cloth with mild, non-abrasive cleaning agents.
- Wipe down all surfaces of the glazed porcelain bowl and polypropylene seat.
- Rinse thoroughly with clean water and dry with a soft cloth to prevent water spots.
- **Avoid:** Harsh chemicals, abrasive scrubbers, strong acids, or bleach, as these can damage the

glazed finish and plastic components.

7.2 General Maintenance

- Periodically check the toilet seat hinges for tightness and adjust if necessary to prevent the seat from shifting.
- Inspect water connections for any signs of leaks. Tighten connections if minor leaks are detected.

8. TROUBLESHOOTING

This section addresses common issues you might encounter with your toilet set.

- **Weak Flush:**
 - Check the main water supply valve to ensure it is fully open.
 - Inspect the cistern mechanism for any obstructions or issues with water filling.
 - Ensure the flush button is correctly engaging the flush valve.
- **Leaking:**
 - Verify all water inlet and waste pipe connections are tight.
 - Check the seal between the toilet bowl and the waste pipe for proper seating.
 - If the leak persists, it may indicate an issue with the internal cistern components or a damaged seal. Consult a qualified plumber.
- **Loose Toilet Seat:**
 - Tighten the plastic hinges securing the seat to the bowl. Access the fasteners from underneath the bowl or by lifting hinge covers.

9. WARRANTY AND SUPPORT

Your Ideal Standard Astor R034801 wall-mounted toilet set is manufactured to high-quality standards and comes with comprehensive support.

- **Manufacturer's Warranty:** This product is covered by a 2-year manufacturer's warranty from the date of purchase. Please retain your proof of purchase for warranty claims.
- **Spare Parts Availability:** The availability of spare parts for this model is guaranteed for 10 years within the European Union.
- **Customer Support:** For technical assistance, warranty claims, or inquiries regarding spare parts, please contact Ideal Standard customer service through their official website or authorized distributors.