

TYT TABM001-US

TYT Adjustable Trailer Hitch Ball Mount (Model TABM001-US) Instruction Manual

Model: TABM001-US | Brand: TYT

1. INTRODUCTION

This manual provides essential instructions for the safe and effective installation, operation, and maintenance of your TYT Adjustable Trailer Hitch Ball Mount. Please read this manual thoroughly before use and retain it for future reference. This product is designed for use with standard 2-inch receivers and 2-inch hitch balls, offering extensive applicability for various towing needs.



Image 1.1: The TYT Adjustable Trailer Hitch Ball Mount, including the main shank, adjustable ball mount platform, 2-inch towing ball, hitch pin, and locking mechanism.

2. SAFETY INFORMATION

WARNING: Failure to follow these safety instructions could result in serious injury, death, or property damage.

- Always ensure the total trailer weight (GTW) and tongue weight (TW) do not exceed the rated capacities of the hitch ball mount, your vehicle's hitch receiver, or your vehicle's towing capacity. This hitch ball mount has a maximum towing capacity of 7500 pounds.
- Inspect all components for wear, damage, or corrosion before each use. Do not use if any part is compromised.
- Ensure all pins, clips, and the hitch lock are securely in place before towing.
- Always use safety chains between the tow vehicle and the trailer.
- Distribute trailer load evenly to maintain proper tongue weight.
- Drive cautiously, allowing for increased stopping distances and wider turns when towing.
- Consult your vehicle's owner's manual for specific towing guidelines and limitations.

3. PACKAGE CONTENTS

Verify that all items listed below are present and undamaged upon unpacking:

- Adjustable Hitch Shank (main receiver component)
- Adjustable Ball Mount Platform
- 2-inch Towing Ball
- Hitch Pin and Clips (2 sets)
- Premium Pin Lock with Keys
- Anti-rattle Screw (pre-installed or separate)
- Washers and Nut for Ball Installation



Image 3.1: An exploded view showing the individual components included in the TYT Adjustable Trailer Hitch Ball Mount package, such as the main shank, adjustable platform, ball, pins, clips, and lock.

4. SPECIFICATIONS

Brand	TYT
Model Number	TABM001-US
Material	Alloy Steel
Finish Type	Powder Coated
Maximum Towing Capacity (GTW)	7500 Pounds
Receiver Compatibility	Standard 2-inch x 2-inch Receiver

Hitch Ball Size	2-inch
Maximum Drop	9-1/2 inches
Maximum Rise	8-1/4 inches
Item Weight	16.98 pounds (7.72 Kilograms)
Product Dimensions	12 x 10 x 3 inches
Vehicle Service Type	Truck, SUV, RV

DIMENSIONS

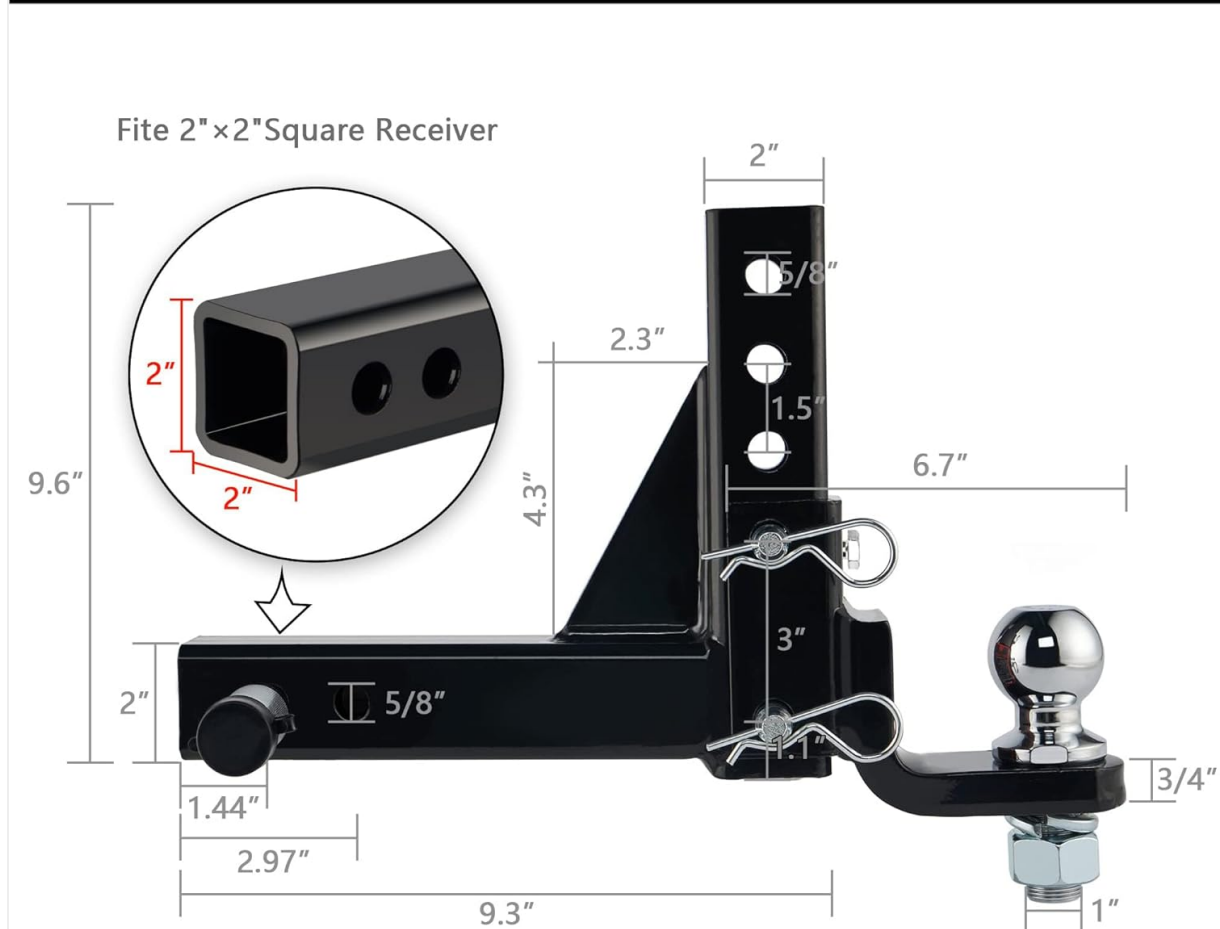


Image 4.1: A technical diagram illustrating the various dimensions of the hitch ball mount, including shank size, drop/rise measurements, and ball size.

5. SETUP AND INSTALLATION

Follow these steps to properly install your adjustable trailer hitch ball mount:

- 1. Prepare the Hitch Ball:** If the 2-inch towing ball is not pre-installed, attach it to the adjustable ball mount platform using the provided washer and nut. Ensure it is tightened to the manufacturer's specifications.
- 2. Insert Shank into Receiver:** Slide the 2-inch x 2-inch shank of the hitch ball mount into your vehicle's hitch receiver. Align the pin holes.
- 3. Secure the Shank:** Insert one of the hitch pins through the aligned holes in the receiver and the

shank. Secure it with a clip. For added security, use the premium pin lock instead of a standard pin and clip.

4. **Adjust Ball Mount Height:** Determine the required drop or rise to ensure your trailer is level when connected. The adjustable platform can be positioned in multiple holes on the shank to achieve a drop of up to 9-1/2 inches or a rise of up to 8-1/4 inches.

CAN BE FREELY ADJUSTED UP AND DOWN



Image 5.1: An illustration demonstrating how the adjustable ball mount platform can be moved up and down the shank to achieve various drop or rise configurations.

5. **Secure the Adjustable Platform:** Once the desired height is set, insert the second hitch pin through the aligned holes in the shank and the adjustable platform. Secure it with a clip.
6. **Engage Anti-Rattle Screw:** Tighten the anti-rattle screw (if present) on the adjustable platform. This screw helps to reduce vibrations and noise during towing by creating a snug fit.

ANTI-LOOSENING SCREW AND BALL HEAD CUTTING EDGE

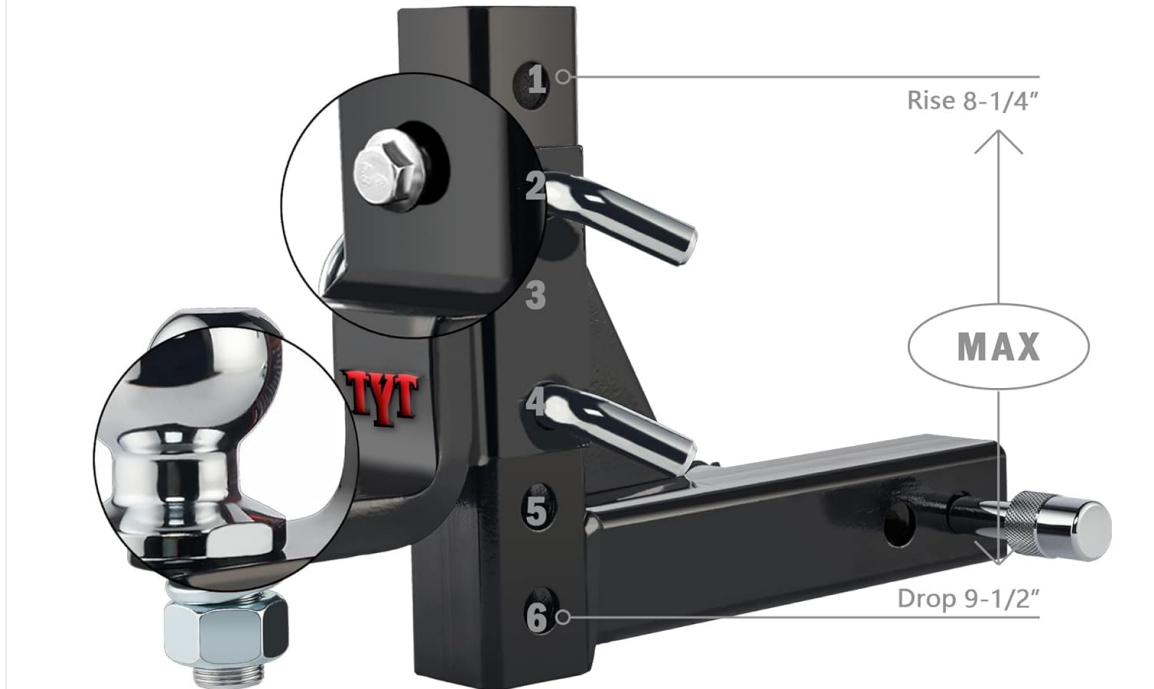


Image 5.2: A detailed view highlighting the anti-loosening screw mechanism and the numbered adjustment points for setting the drop or rise.

PACKAGE CONTENTS



Image 5.3: The TYT Adjustable Trailer Hitch Ball Mount securely installed in a vehicle's receiver, ready for towing.

6. OPERATION

Once the hitch ball mount is securely installed, follow these steps for safe towing:

1. **Connect Trailer:** Lower the trailer coupler onto the 2-inch hitch ball. Ensure the coupler is fully seated and locked onto the ball.
2. **Secure Coupler:** Engage the coupler latch and insert any safety pins or locks specific to your trailer's coupler.
3. **Attach Safety Chains:** Cross the safety chains under the trailer tongue and attach them to the designated points on your vehicle's hitch receiver. Ensure there is enough slack for turns but not so much that they drag on the ground.
4. **Connect Trailer Wiring:** Plug in the trailer's electrical connector to your vehicle's receptacle. Test all trailer lights (running lights, brake lights, turn signals).
5. **Final Inspection:** Before driving, perform a final walk-around inspection. Check all connections, ensure pins and locks are secure, and verify that the trailer is level.



Image 6.1: The TYT Adjustable Trailer Hitch Ball Mount shown with a trailer attached, demonstrating a proper towing setup with safety chains connected.

7. MAINTENANCE

Regular maintenance will prolong the life of your hitch ball mount and ensure safe operation:

- **Cleaning:** Clean the hitch ball mount regularly, especially after exposure to dirt, salt, or harsh weather conditions. Use mild soap and water, then rinse thoroughly.
- **Lubrication:** Apply a thin layer of grease to the hitch ball before each use to reduce friction and wear on the trailer coupler. Lubricate the hitch pin and lock mechanism periodically to ensure smooth operation.
- **Inspection:** Periodically inspect the hitch ball mount for signs of wear, cracks, bends, or corrosion. Pay close attention to weld points, pin holes, and the hitch ball itself. Replace any damaged components immediately.
- **Storage:** When not in use, store the hitch ball mount in a dry place to prevent rust and corrosion.

8. TROUBLESHOOTING

Addressing common issues:

- **Excessive Rattling:** If you experience rattling or movement, ensure the anti-rattle screw is fully tightened. Also, check that the hitch pin and clips are securely in place. Some play is normal, but excessive noise indicates a loose connection.
- **Difficulty Inserting/Removing Pins:** Ensure the holes are properly aligned. Clean any dirt or debris from the pin holes and apply a small amount of lubricant to the pins if they are stiff.
- **Hitch Ball Wear:** If the chrome plating on the hitch ball shows significant wear or pitting, it may need replacement to ensure proper coupling and prevent damage to the trailer coupler. The TYT hitch ball is

replaceable.

REPLACEABLE CHROME PLATING BALL



Image 8.1: An illustration indicating that the hitch ball is replaceable and showing the 2-inch ball with a 7500 lbs maximum capacity.

9. WARRANTY AND SUPPORT

TYT is committed to providing quality products. If you encounter any issues or have questions regarding your Adjustable Trailer Hitch Ball Mount, please contact TYT customer service. Refer to your purchase documentation for specific warranty details and contact information.

For support, please visit the official TYT store or contact their customer service department directly.