

[Manuals.plus](#) /

› [SHA CERLIN](#) /

› SHA CERLIN Loft Bed Twin Size with Ladder and Guardrail Instruction Manual

SHA CERLIN AK-LOFTBR

SHA CERLIN Loft Bed Twin Size with Ladder and Guardrail

INSTRUCTION MANUAL

1. Introduction

This manual provides essential information for the safe assembly, operation, and maintenance of your SHA CERLIN Twin Size Loft Bed. Please read all instructions carefully before beginning assembly and retain this manual for future reference. This loft bed is designed to maximize space in bedrooms or dorms, providing a raised sleeping area with ample space underneath for various uses.



Figure 1: SHA CERLIN Twin Loft Bed, showcasing its space-saving design.

2. Safety Information

- Always assemble the bed frame according to the instructions to prevent instability.
- Do not exceed the maximum weight capacity of **400 lbs.**
- Exercise caution when using the ladder. Ensure secure footing.
- The upper bunk includes full-length guardrails for added safety.
- Utilize the provided extra strap and nails to securely fasten the bed to the wall, enhancing stability.
- Recommended mattress thickness is **5 to 9 inches** to ensure proper guardrail height.

3. Package Contents

Before assembly, verify that all parts listed below are present and undamaged. If any parts are missing or damaged, please contact customer support.

- Metal Bed Frame Components
- Metal Slats
- Ladder

- Guardrails
- Wood Board Ornaments
- Assembly Hardware (screws, bolts, washers, Allen wrench)
- Wall Anchoring Strap and Nails

4. Assembly Instructions

Assembly is recommended for **two people** and typically takes approximately **40 minutes**. Follow the steps below carefully:

1. **Unpack and Identify:** Carefully unpack all components and lay them out. Identify each part using the provided parts list and diagrams.
2. **Assemble Main Frame:** Begin by connecting the main frame components. Ensure all connections are finger-tight before fully tightening.
3. **Attach Slats:** Securely attach the metal slats to the bed frame. The plastic buckle design helps fix the slats firmly, preventing noise.
4. **Install Guardrails:** Install the full-length guardrails around the upper bunk. These are crucial for safety.
5. **Attach Ladder:** The ladder is removable and can be placed on either the left or right side for convenience. Ensure it is securely attached. For enhanced comfort, consider adding padding to the ladder steps.
6. **Install Wood Ornaments:** Attach the rustic wood board ornaments to the designated areas on the bed frame.
7. **Secure to Wall:** For maximum stability and safety, use the provided strap and nails to securely fasten the bed to a wall stud.

FULLY ENCLOSED DESIGN



Figure 2: Details of the bed's construction, including slats and guardrails.

FLEXIBLE DESIGN



Figure 3: The removable ladder offers flexible placement options.

5. Operating the Loft Bed

The SHA CERLIN Loft Bed is designed for single occupancy on the upper bunk. Ensure the mattress used is a Twin size and within the recommended thickness of 5 to 9 inches to maintain the effectiveness of the 13-inch full-length guardrail. The sturdy frame and metal slats provide reliable support. The generous space underneath the bed can be utilized for various purposes, such as a study area, lounge space, or storage, enhancing the functionality of your room.

6. Maintenance

- **Cleaning:** Wipe down the metal frame with a soft, damp cloth. Avoid using harsh chemicals or abrasive cleaners that could damage the powder-coated finish.
- **Regular Inspection:** Periodically check all bolts and connections to ensure they remain tight. Retighten if necessary to maintain stability and prevent squeaking.
- **Ladder Care:** Inspect the ladder for any signs of wear or damage. If using padding on the steps, ensure it remains secure and in good condition.
- **Wall Anchoring:** Regularly check the wall anchoring strap and nails to ensure the bed remains

securely fastened to the wall.

7. Troubleshooting

- **Bed Wobbles:** This can occur if connections are loose. Ensure all bolts are securely tightened. Verify the wall anchoring strap is properly installed and taut.
- **Squeaking Noises:** The plastic buckle design on the slats is intended to prevent noise. If squeaking occurs, check that all slats are properly seated and that all frame connections are tight.
- **Ladder Discomfort:** The metal ladder steps can be hard on bare feet. Consider adding foam padding (e.g., cut pool noodles) to the ladder rungs for improved comfort.

8. Specifications

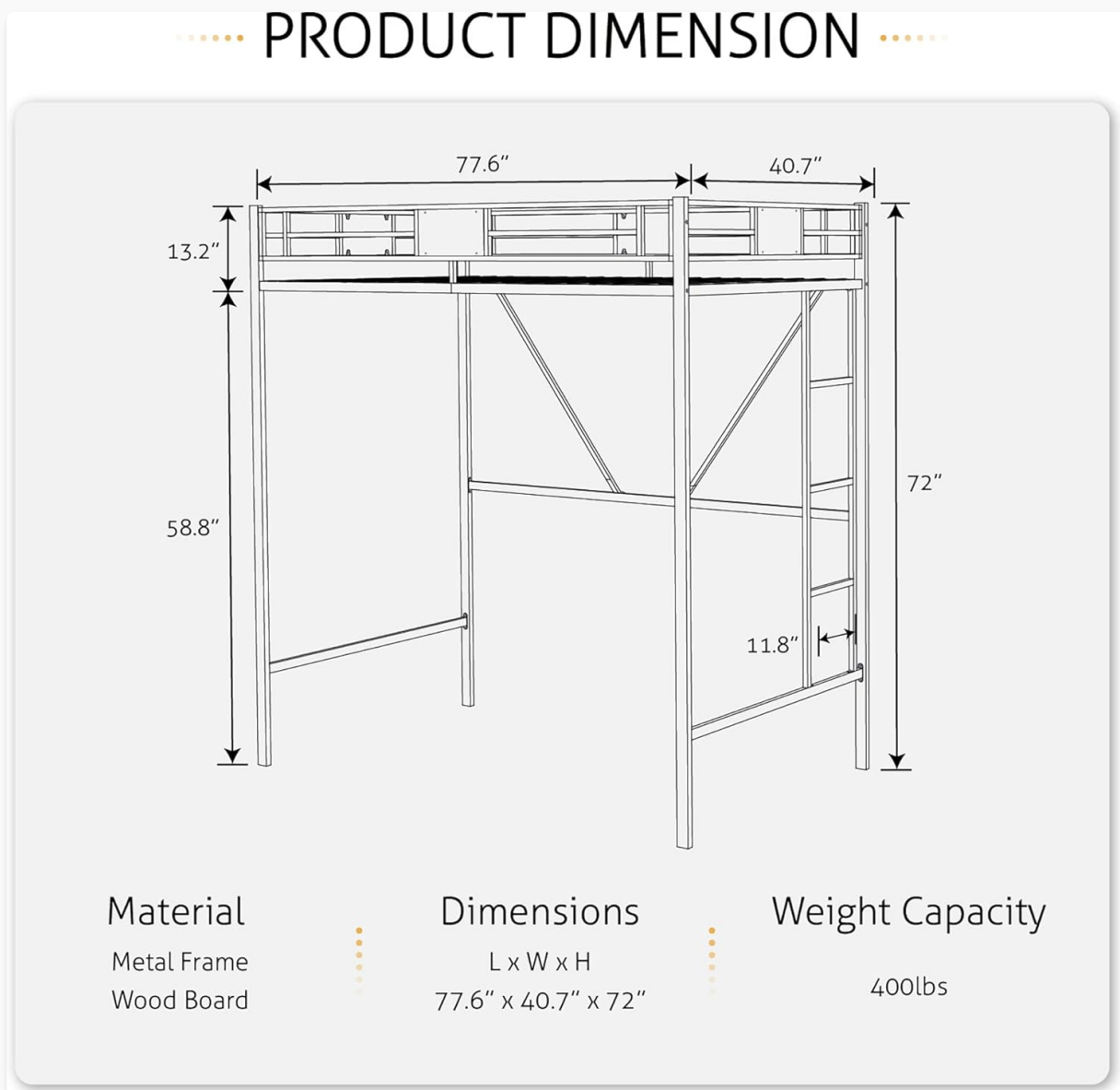


Figure 4: Product dimensions and material details.

| Feature | Detail |
|--------------------|--------------------------|
| Size | Twin Loft |
| Product Dimensions | 77.8"L x 40.7"W x 72.1"H |

| | |
|--------------------------|-------------------------------|
| Ground To Item Distance | 58.8 Inches |
| Weight Capacity | 400 lbs |
| Material | Metal Frame, Wood Board (MDF) |
| Color | Black |
| Finish Type | Powder Coated |
| Special Feature | Squeak Resistant |
| Assembly Required | Yes |
| Compatible Mattress Size | Twin |
| Item Weight | 77.2 pounds |
| Model Number | AK-LOFTBR |
| UPC | 749655413482 |

9. Warranty and Support

For information regarding product warranty, please refer to the terms and conditions provided at the time of purchase or contact SHA CERLIN customer support. Protection plans are available for purchase to extend coverage beyond the standard warranty period.

If you encounter any issues or have questions not covered in this manual, please contact our customer support team for assistance. Details for customer support are typically available on the product packaging or the retailer's website.