

Manuals+

[Q & A](#) | [Deep Search](#) | [Upload](#)

manuals.plus /

› [FRANKE](#) /

› [Franke FMY 907 Built-in Hood User Manual](#)

FRANKE FMY 907

Franke FMY 907 Built-in Hood User Manual

Model: FMY 907

Brand: Franke

1. INTRODUCTION

This manual provides essential information for the safe and efficient use, installation, and maintenance of your Franke FMY 907 Built-in Hood. Please read these instructions carefully before installation and operation, and retain them for future reference.

2. SAFETY INFORMATION

WARNING: Please read all safety warnings and instructions before installing or operating this appliance.

- Ensure the electrical installation complies with local regulations.
- Do not allow children to operate the appliance.
- Regularly clean the filters to prevent fire hazards.
- Do not flambé under the range hood.
- Disconnect the appliance from the power supply before any cleaning or maintenance.
- The appliance is for domestic use only.

3. PRODUCT OVERVIEW

The Franke FMY 907 is a wall-mounted canopy hood designed for efficient air purification in your kitchen. It features a sleek black finish and push-button controls for ease of use.



Image 3.1: Franke FMY 907 Built-in Hood. This image shows the black, wall-mounted range hood installed in a kitchen setting, positioned above a cooking pot.

Key Features:

- **Mounting Type:** Wall Mount
- **Ventilation Type:** Ductless/Recirculating
- **Controls:** Push Button
- **Fan Capacity:** 390 m³/h (cubic meters per hour)
- **Lighting:** Halogen Light Bulbs (included)
- **Filter Type:** Mesh
- **Color:** Black

4. SETUP AND INSTALLATION

The Franke FMY 907 hood is designed for wall-mounted installation. Professional installation is recommended to ensure proper function and safety.

Dimensions:

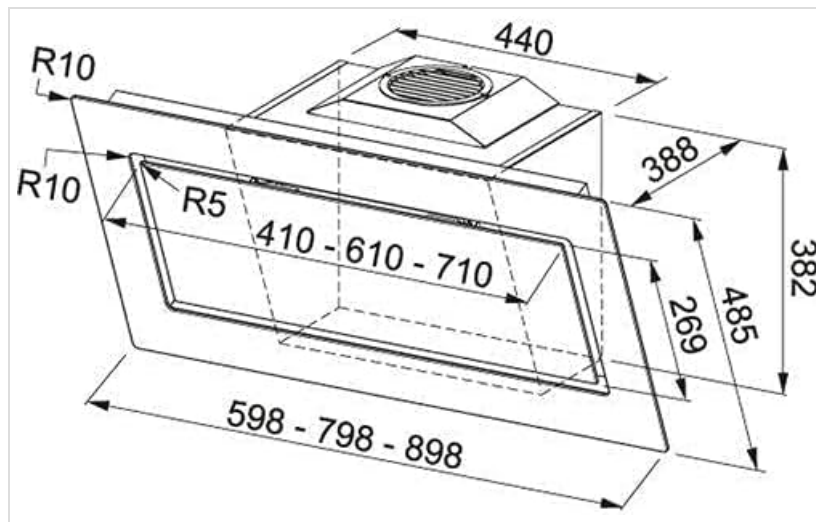


Image 4.1: Technical drawing with dimensions. This diagram illustrates the precise measurements of the hood, including width, height, and depth, crucial for installation planning.

- **Product Dimensions (L x W x H):** 39 x 90 x 49 cm
- **Width:** 90 cm (35.4331 inches)
- **Height:** 49 cm
- **Length (Depth):** 39 cm
- **Weight:** 20 KG

General Installation Steps:

1. **Preparation:** Ensure the wall structure can support the hood's weight. Mark drilling points according to the provided template (if applicable) and product dimensions.
2. **Mounting:** Secure the mounting bracket to the wall using appropriate fasteners. Carefully lift and attach the hood to the bracket.
3. **Electrical Connection:** Connect the hood to a suitable electrical outlet. Ensure the power supply is off during this step.
4. **Ducting (if applicable):** For ducted installations, connect the exhaust duct to the hood and route it to the outside. For recirculating models, ensure carbon filters are installed.
5. **Final Checks:** Verify that the hood is securely mounted and all connections are tight. Test the fan and lights.

5. OPERATING INSTRUCTIONS

The Franke FMY 907 hood features intuitive push-button controls for easy operation.

Controls:

- **Power Button:** Press to turn the hood on or off.
- **Fan Speed Buttons:** Select desired fan speed (e.g., Low, Medium, High) to adjust extraction power.
- **Light Button:** Press to turn the halogen lights on or off.

Usage Recommendations:

- Turn on the hood a few minutes before cooking to create an airflow.
- Adjust the fan speed according to the intensity of cooking fumes and odors.

- Allow the hood to run for a few minutes after cooking to clear residual odors.

6. MAINTENANCE

Regular maintenance ensures optimal performance and extends the lifespan of your Franke FMY 907 hood.

Cleaning the Mesh Filters:

The hood is equipped with mesh filters designed to trap grease particles. These filters should be cleaned regularly, typically every 2-4 weeks depending on usage.

1. **Disconnect Power:** Always switch off and unplug the hood from the main power supply before cleaning.
2. **Remove Filters:** Locate the filter release latches and carefully remove the mesh filters.
3. **Clean Filters:** Wash the filters by hand in hot soapy water or in a dishwasher on a low-temperature cycle. Ensure they are completely dry before reinstallation.
4. **Reinstall Filters:** Insert the dry filters back into their slots until they click into place.

Cleaning the Exterior:

Clean the exterior surfaces with a soft cloth dampened with mild detergent. Avoid abrasive cleaners or scouring pads, as these can damage the finish.

Light Bulb Replacement:

The hood uses halogen light bulbs. To replace them:

1. **Disconnect Power:** Ensure the hood is disconnected from the power supply.
2. **Allow to Cool:** If the lights were recently on, allow them to cool down completely.
3. **Remove Old Bulb:** Carefully remove the old halogen bulb.
4. **Install New Bulb:** Insert a new halogen bulb of the same type and wattage. Avoid touching the new bulb directly with bare hands; use a cloth or gloves.
5. **Restore Power:** Reconnect the power and test the lights.

7. TROUBLESHOOTING

If you encounter issues with your Franke FMY 907 hood, refer to the following common troubleshooting steps:

- **Hood does not turn on:** Check if the appliance is properly plugged into a working power outlet. Verify the circuit breaker has not tripped.
- **Fan is not working:** Ensure the power is on and the fan speed is selected. Check if any obstructions are blocking the fan blades.
- **Lights are not working:** Check if the light button is pressed. Inspect the light bulbs for damage and replace if necessary.
- **Poor extraction performance:** Clean the mesh filters. For recirculating models, check if the carbon filters need replacement. Ensure there are no obstructions in the air vents.
- **Excessive noise:** Check for loose parts or obstructions in the fan. Ensure the hood is securely mounted.

If the problem persists after attempting these steps, contact qualified service personnel.

8. SPECIFICATIONS

Specification	Detail
Brand Name	FRANKE
Model Info	FMY 907 BK
Manufacturer Part Number	330.0507.683
Product Dimensions (L x W x H)	39 x 90 x 49 cm
Item Weight	20 Kilograms
Color	Black
Finish Type	Painted
Mounting Type	Wall Mount
Ventilation Type	Ductless/Recirculating
Controls Type	Push Button
Light Source	Halogen
Included Components	Light Bulbs
Filter Type	Mesh
Power Source	Electric

9. WARRANTY AND SUPPORT

For warranty information and customer support, please refer to the documentation provided with your purchase or visit the official Franke website. Keep your proof of purchase for warranty claims.