

GLEAM B0991SSPVS

GLEAM Keyboard Stand Instruction Manual

Model: B0991SSPVS

Brand: GLEAM

1. INTRODUCTION

Thank you for choosing the GLEAM Keyboard Stand. This manual provides essential information for the safe and effective assembly, operation, and maintenance of your new keyboard stand. Please read these instructions thoroughly before use and retain them for future reference.



Image 1.1: The GLEAM Single-X Keyboard Stand, designed for stability and adjustability.

2. IMPORTANT SAFETY INSTRUCTIONS

- Ensure the stand is placed on a stable, level surface before placing any instrument on it.
- Do not exceed the maximum load capacity of 100 lbs (approximately 45 kg). Overloading can cause instability and damage.
- Always ensure all adjustment mechanisms are securely locked before use.

- Keep fingers clear of moving parts during adjustment to prevent pinching.
- This stand is designed for musical keyboards and digital pianos. Do not use it for purposes other than its intended use.
- Adult supervision is recommended when children are near the stand.

3. PACKAGE CONTENTS

Verify that all components are present before assembly:

- 1 x GLEAM Single-X Keyboard Stand Frame
- Integrated Locking Mechanism
- Non-slip Rubber Sleeves (pre-installed on support arms)

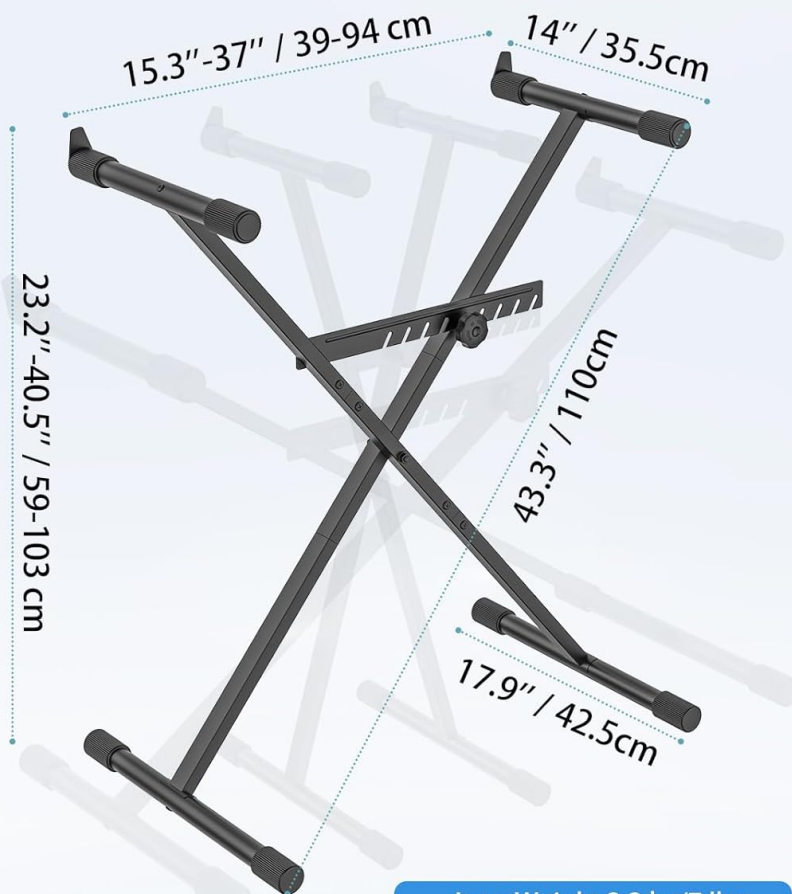
4. SETUP GUIDE

4.1. Unfolding the Stand

Carefully remove the stand from its packaging. Place the stand on a flat, stable surface. Gently pull the two main X-shaped frames apart until the stand begins to open. The stand is designed to unfold smoothly.

PRODUCT DIMENSIONS

9 Heights Available



Item Weight 3.2 kg/7 lbs



Image 4.1: The stand in its unfolded state, illustrating its dimensions and adjustable nature.

4.2. Adjusting Height

The GLEAM Keyboard Stand features a robust locking mechanism for height adjustment. To adjust the height, loosen the central handle screw. Move the upper support arms up or down to your desired height. The stand offers 9 different height positions, ranging from 23.5 inches (59.7 cm) to 38.5 inches (97.8 cm). Once the desired height is achieved, firmly tighten the central handle screw to secure the position. Ensure it is fully tightened to prevent slippage.



Image 4.2: Detail of the locking mechanism, showing the handle screw for height adjustment.

4.3. Adjusting Width

The stand's width can be adjusted to accommodate various keyboard sizes. The support arms feature sliding rubber sleeves. Simply slide these sleeves inward or outward along the arms to match the width of your keyboard. The adjustable width ranges from 12 inches (30.5 cm) to 33 inches (83.8 cm), fitting 61-key, 76-key, and 88-key digital pianos.

WIDTH ADJUSTMENT

Slide rubber sleeves to fit all keyboard widths.

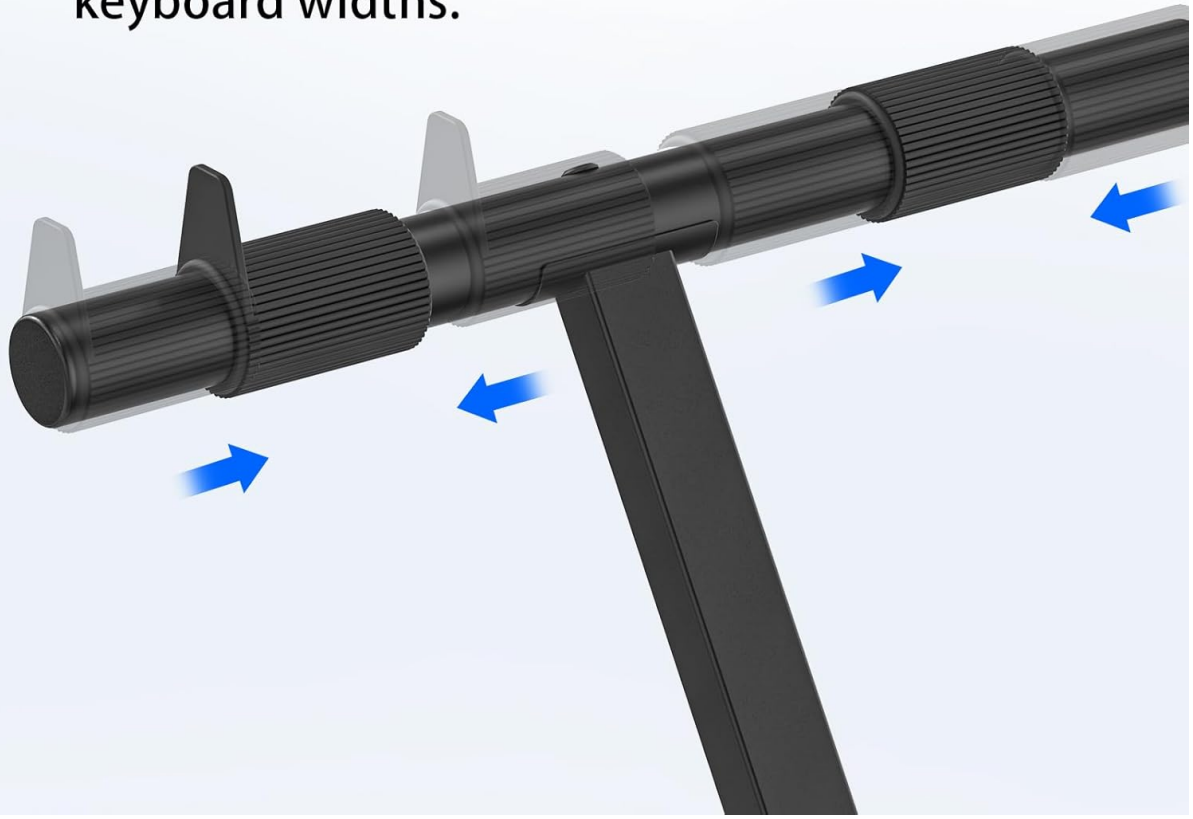


Image 4.3: The sliding rubber sleeves on the support arms allow for flexible width adjustment.

4.4. Placing Your Keyboard

Once the stand is set to the desired height and width, carefully place your keyboard or digital piano onto the non-slip rubber sleeves of the support arms. Ensure the keyboard is centered and stable on the stand before use.

EXCELLENT WORKMANSHIP

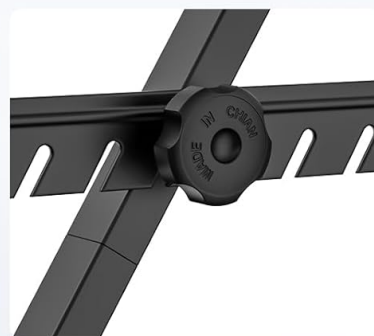


Image 4.4: A keyboard properly positioned on the stand, highlighting the secure fit.

5. OPERATING THE STAND

The GLEAM Keyboard Stand is designed for ease of use and versatility. Its single-X design provides a stable platform for various keyboard sizes, from 61-key to 88-key models. The stand's robust metal construction ensures durability and reliable support for your instrument.

GLEAM KEYBOARD STAND

GKX-002 Single-X Style
Fits 61-88 key digital pianos



Image 5.1: The stand's universal design accommodates a wide range of keyboards and digital pianos.

The stand's maximum load capacity is 100 lbs (approximately 45 kg). This capacity is suitable for most standard digital pianos and keyboards. Always ensure the weight of your instrument does not exceed this limit.

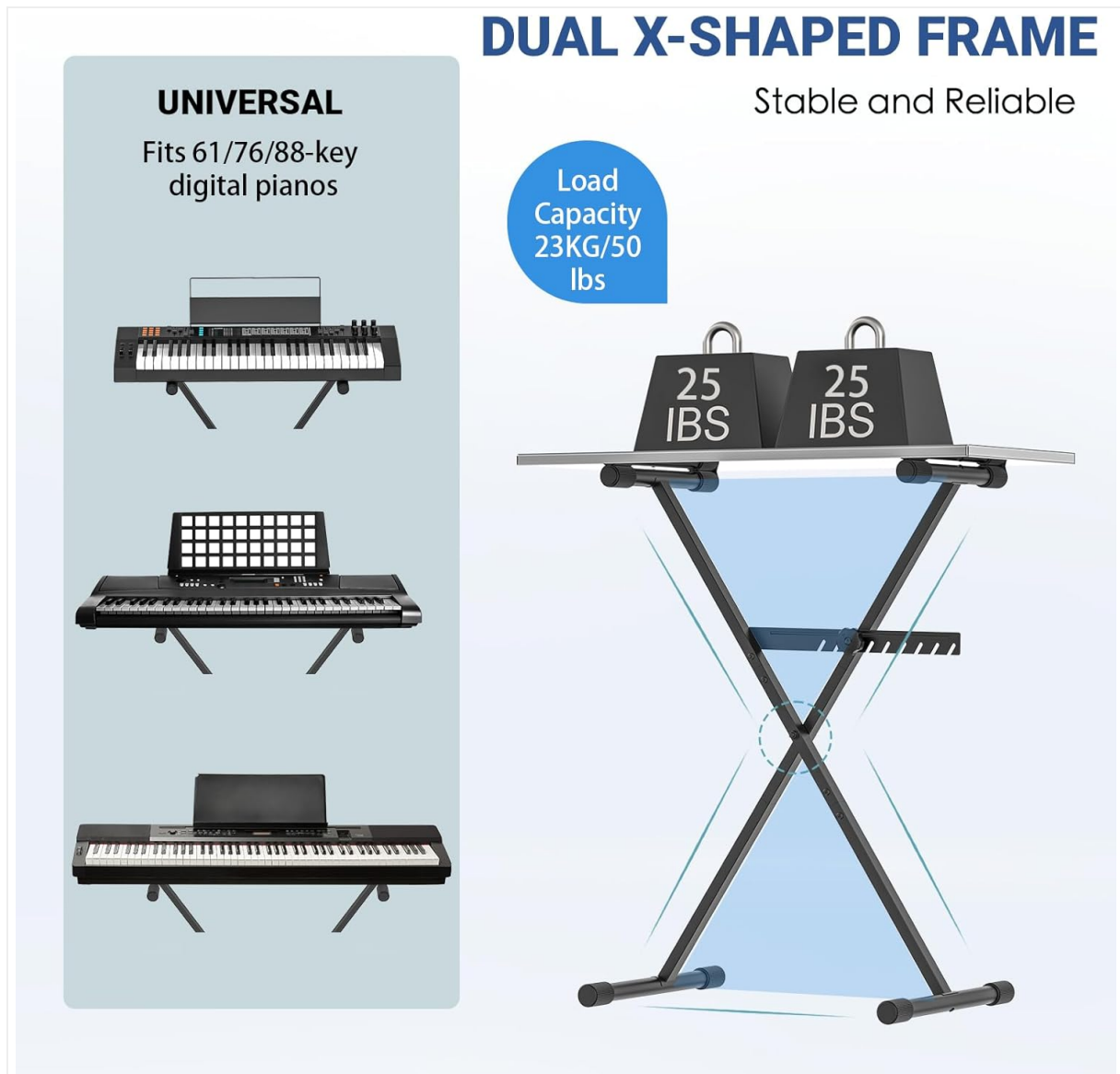


Image 5.2: The stand's robust construction supports a significant load, ensuring stability.

The non-slip rubber sleeves on the support arms protect your keyboard from scratches and provide a secure grip, preventing accidental movement during play.

NON-SLIP SLEEVES

Protects keyboard from scratches



Image 5.3: Non-slip sleeves provide protection and stability for your instrument.

6. MAINTENANCE

- **Cleaning:** Wipe the stand with a soft, damp cloth to remove dust and dirt. Avoid using abrasive cleaners or solvents, as they may damage the finish.
- **Inspection:** Periodically check all screws and connections to ensure they are tight and secure.
- **Storage:** When not in use, the stand can be folded flat for compact storage. Store it in a dry place away from extreme temperatures.

7. TROUBLESHOOTING

Problem	Solution
Stand wobbles or feels unstable.	Ensure the stand is on a flat, level surface. Check that the central locking handle screw is fully tightened. Verify that the keyboard is centered on the support arms.
Difficulty adjusting height.	Loosen the central handle screw completely before attempting to adjust. Apply gentle pressure to move the arms. Do not force the mechanism.
Keyboard slips on the stand.	Ensure the non-slip rubber sleeves are clean and free of debris. Verify the keyboard is properly seated and centered on the sleeves.

8. SPECIFICATIONS

Feature	Detail
Model	B0991SSPVS
Brand	GLEAM
Construction	Single-X Metal
Material	Metal, Polypropyl, Polyvinyl Chloride (PVC)

Feature	Detail
Finish Type	Powder Coated
Max. Load Capacity	100 lb (approx. 45 kg)
Adjustable Height Range	23.5" to 38.5" (59.7 cm to 97.8 cm)
Adjustable Width Range	12" to 33" (30.5 cm to 83.8 cm)
Item Weight	5.54 pounds (2.52 kg)
Product Dimensions (LxWxH)	17 x 37 x 17 inches (43.2 x 94 x 43.2 cm)
Assembly Required	Yes

9. WARRANTY AND SUPPORT

GLEAM stands behind the quality of its products. For any warranty claims, technical support, or inquiries regarding your keyboard stand, please contact GLEAM customer service through the platform where you purchased the product. Please have your model number (B0991SSPVS) and purchase date ready when contacting support.