

Hansgrohe 71870000

Hansgrohe Vernis Blend M35 Kitchen Mixer 210 User Manual

Model: 71870000

1. INTRODUCTION

The Hansgrohe Vernis Blend M35 Kitchen Mixer 210 is designed to provide both aesthetic appeal and high functionality in your kitchen. This timeless chrome-finished mixer features a high spout, offering ample space for various kitchen tasks. Its robust construction and advanced features ensure reliable performance and ease of use.

This manual provides essential information for the proper installation, operation, and maintenance of your Hansgrohe Vernis Blend M35 Kitchen Mixer. Please read these instructions carefully before beginning installation or use, and retain them for future reference.

2. KEY FEATURES

- **Timeless Design:** Harmonious design with a high spout for an elegant kitchen aesthetic.
- **ComfortZone 210:** Provides significant space between the spout and the sink, facilitating the filling of large containers.
- **Adjustable Swivel Spout:** The spout's swivel range can be set to either 120° or 360° during installation, offering flexibility for different sink types.
- **High-Quality Ceramic Cartridge:** Ensures smooth and precise control of water flow and temperature, maintaining performance even after frequent use.
- **AirPower Technology:** Enriches water with air, creating a fuller, softer jet with less splashing.
- **Durable Chrome Finish:** A brilliant, easy-to-clean chrome surface that maintains its shine over time.
- **Easy Installation:** Designed for quick and straightforward fitting with standard connections.
- **Instantaneous Water Heater Compatible:** Suitable for use with instantaneous water heaters.



Image 2.1: Overview of Hansgrohe Vernis Blend M35 features.

3. SETUP AND INSTALLATION

Before installation, ensure you have all necessary tools and that the water supply is turned off. The mixer comes with flexible connection hoses and installation instructions.

3.1 Pre-Installation

- Verify that the tap hole in your sink or countertop has a minimum diameter of approximately 35 mm.
- Ensure the installation area is clean and free from debris.
- Check that the included flexible connection hoses (G $\frac{3}{8}$, DN15) are compatible with your existing angle valves.

3.2 Mounting the Mixer

1. Insert the mixer into the tap hole.
2. Secure the mixer from underneath the sink using the provided fastening components. Ensure it is stable and properly aligned.

3. Connect the flexible hoses to the hot and cold water supply lines. Tighten connections securely but do not overtighten.
4. Set the desired swivel range for the spout (120° or 360°) during installation according to your kitchen sink setup. This adjustment is typically made at the base of the mixer before final tightening.



Easy Installation

Quick and easy to fit

Image 3.1: Illustration of easy installation process.



Swivel Spout

Offers more flexibility at the kitchen sink

Image 3.2: Swivel spout flexibility.

4. OPERATION

The Hansgrohe Vernis Blend M35 Kitchen Mixer is operated via a single lever handle, allowing for intuitive control of water flow and temperature.

4.1 Water Flow and Temperature Control

- To turn the water on or off, lift or push down the lever handle.
- To adjust the water temperature, move the lever handle left for hot water and right for cold water.
- The ceramic cartridge ensures smooth and precise adjustments, even with frequent use.

4.2 AirPower Function

The mixer incorporates Hansgrohe's AirPower technology, which enriches the water with air. This results in a softer, fuller water jet that reduces splashing and enhances the overall washing experience.



AirPower

Full volume. Less splashing

Image 4.1: AirPower technology for a full, less splashing water jet.



ComfortZone

More flexibility makes kitchen work easier

Image 4.2: ComfortZone providing ample space under the spout.

5. MAINTENANCE

Regular cleaning and proper care will help maintain the appearance and functionality of your Hansgrohe Vernis Blend M35 Kitchen Mixer.

5.1 Cleaning the Surface

- Clean the chrome surface with a soft cloth and a mild, non-abrasive cleaning agent.
- Avoid using cleaners containing alcohol, hydrochloric acid, formic acid, acetic acid, or phosphoric acid, as these can damage the finish.
- Rinse thoroughly with clean water after cleaning and dry with a soft cloth to prevent water spots.

5.2 Aerator Maintenance

Periodically unscrew and clean the aerator (the tip of the spout) to remove any mineral deposits or debris that may affect water flow. Rinse it under running water and reattach it securely.

6. TROUBLESHOOTING

If you encounter any issues with your kitchen mixer, please refer to the following common troubleshooting steps:

- **Low Water Pressure:** Check if the main water supply is fully open. Inspect the aerator for clogs and clean if necessary. Ensure connection hoses are not kinked.
- **Leaks:** Verify that all connections are securely tightened. Check the condition of seals and O-rings; replace if worn. If the leak is from the handle, the ceramic cartridge may need inspection or replacement.
- **Difficulty Adjusting Temperature/Flow:** This may indicate an issue with the ceramic cartridge. If cleaning the aerator does not resolve the issue, professional assistance may be required.

For persistent problems or issues not covered here, please contact Hansgrohe customer support or a qualified plumber.

7. SPECIFICATIONS

Detailed technical specifications for the Hansgrohe Vernis Blend M35 Kitchen Mixer 210 (Model 71870000):

Specification	Value
Product Dimensions (L x W x H)	23.5 x 5.5 x 33.2 cm
Item Weight	1.46 Kilograms
Model Number	71870000
Brand	Hansgrohe
Recommended Uses	Kitchen
Mounting Type	Single-hole, Deck Mounted
Finish Type	Chrome
Material	Synthetic, Metallic
Color	Chrome
Number of Handles	1
Included Components	Connection hoses, Installation instructions
Special Feature	360° Swivel (adjustable to 120° or 360°)
Handle Type	Lever
Valve Type	Disc Valve (Ceramic Cartridge)
Handle Placement	Right
Spout Design	Gooseneck
Spout Height	260 Millimeters

Specification	Value
Spout Reach	260 Millimeters

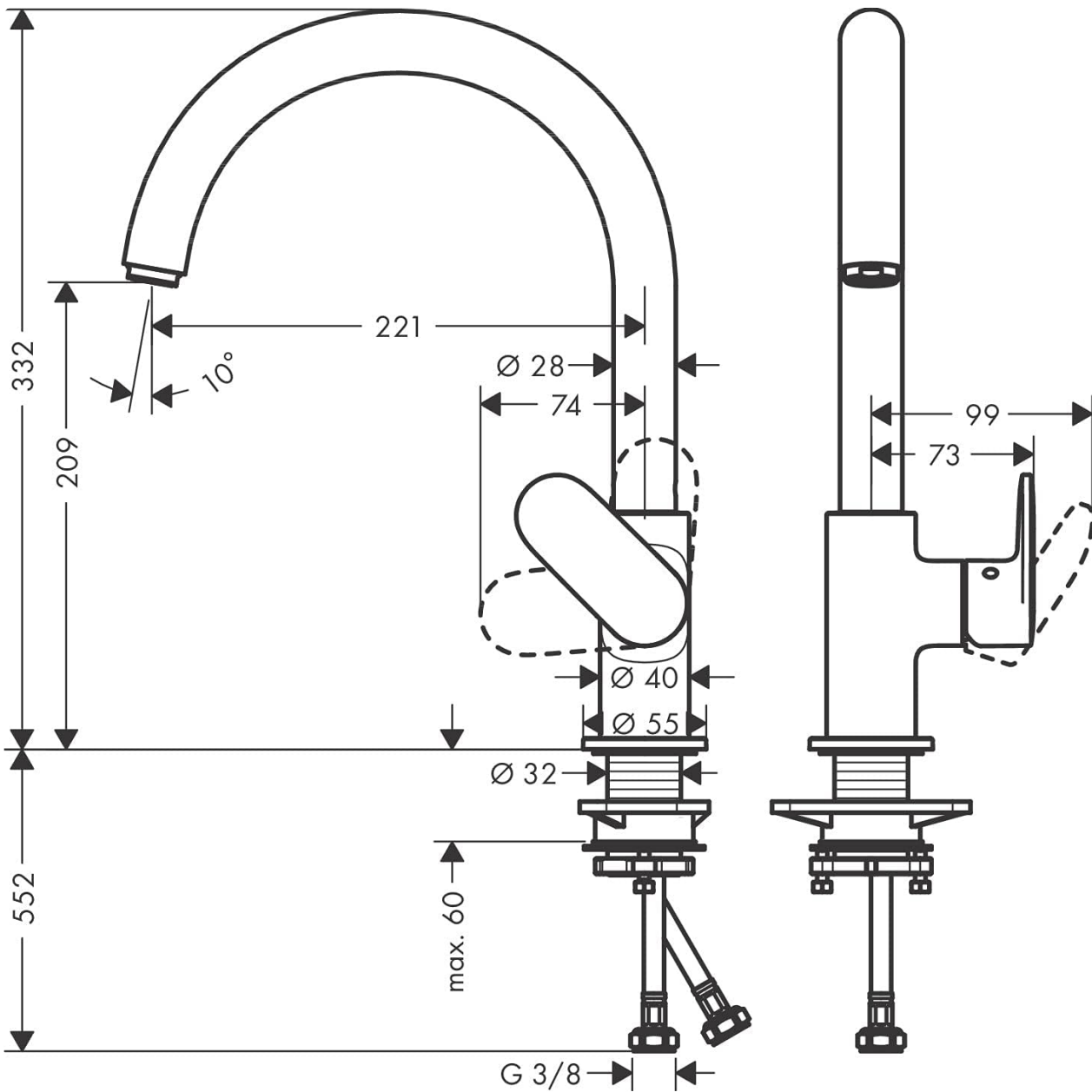


Image 7.1: Technical drawing with dimensions.

8. WARRANTY AND SUPPORT

Hansgrohe stands behind the quality of its products. Your Vernis Blend M35 Kitchen Mixer comes with comprehensive warranty coverage and support.

8.1 Manufacturer's Warranty

This product is covered by a **5-year manufacturer's warranty**. Please retain your proof of purchase for warranty claims.

8.2 Spare Parts Availability

Spare parts for this model are available for up to **15 years** after the product line's discontinuation, ensuring long-term usability and maintenance.

8.3 Customer Support

For further assistance, technical support, or warranty inquiries, please visit the official Hansgrohe website or contact their customer service department. You can also visit the [Hansgrohe Store on Amazon](#) for more information.