

## Manuals+

[Q & A](#) | [Deep Search](#) | [Upload](#)

manuals.plus /

- › [Greenote](#) /
- › [Greenote GF50 Washable HEPA Filter Replacement Manual](#)

## Greenote GF50

# Greenote GF50 Washable HEPA Filter Replacement Manual

For Greenote GSC50 and GSC40 Vacuum Cleaners

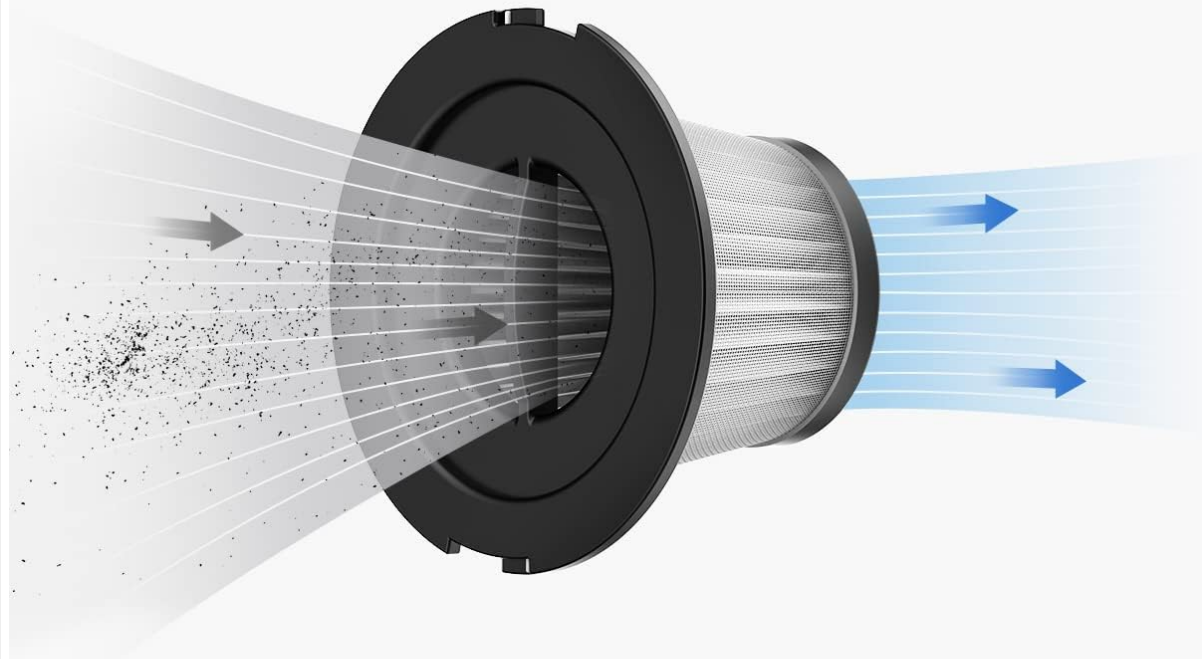
## 1. INTRODUCTION

---

Thank you for choosing the Greenote GF50 Washable HEPA Filter Replacement. This filter is designed to maintain the high performance of your Greenote GSC50 or GSC40 vacuum cleaner by effectively capturing fine dust and allergens. Regular replacement and proper maintenance of your filter are essential for optimal vacuum efficiency and air quality.

# Effective Adsorption of Dust

Adsorb 99.8% of airborne particles  
less than 0.3 microns



**Figure 1:** Illustration of the Greenote GF50 HEPA filter effectively adsorbing dust particles, including those less than 0.3 microns.

## 2. INSTALLATION INSTRUCTIONS

Follow these steps to correctly install the Greenote GF50 HEPA filter into your Greenote GSC50 or GSC40 vacuum cleaner.

1. **Prepare the Vacuum:** Ensure your vacuum cleaner is turned off and unplugged before beginning the installation process.
2. **Remove Dust Cup:** Detach the dust cup from the main body of the vacuum cleaner. Refer to your vacuum's user manual for specific instructions on dust cup removal.
3. **Remove Old Filter:** Carefully remove the old HEPA filter from the dust cup. Dispose of the old filter

responsibly.

4. **Insert New Filter:** Place the new Greenote GF50 HEPA filter into the designated slot within the dust cup. Ensure it is seated firmly and correctly to prevent air leaks.
5. **Reattach Dust Cup:** Reattach the dust cup to the vacuum cleaner, ensuring it clicks securely into place.

## Powerful Protection

3-in-1 filtration system can maximize the life of vacuum



**Figure 2:** Diagram illustrating the internal components of the vacuum cleaner, including the filter's position for proper installation.

### 3. OPERATION GUIDELINES

Once the new filter is installed, your Greenote vacuum cleaner is ready for use. For optimal performance:

- Ensure the dust cup is securely attached and the filter is properly seated before operating the vacuum.

- Regularly check the filter for visible dirt and debris to determine when cleaning is necessary.
- Avoid vacuuming liquids or excessively wet debris, as this can damage the filter and vacuum motor.

## 4. CLEANING AND MAINTENANCE

---

The Greenote GF50 HEPA filter is washable and reusable, extending its lifespan and maintaining filtration efficiency. Follow these steps for proper cleaning:

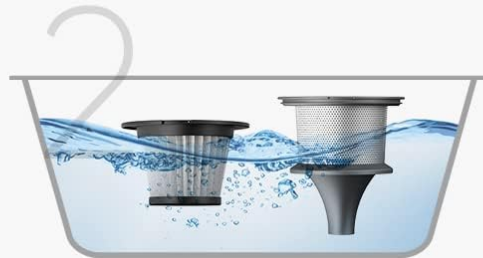
1. **Remove Filter:** Detach the dust cup and carefully remove the dirty HEPA filter.
2. **Wash Filter:** Rinse the HEPA filter under cool, running water until the water runs clear. Gently tap the filter to dislodge stubborn dirt. Do not use detergents or hot water, as this may damage the filter material.
3. **Dry Completely:** Allow the filter to air dry completely for at least 24 hours before reinstallation. Ensure it is thoroughly dry to prevent mold growth and damage to the vacuum motor. Do not use heat sources like hair dryers or direct sunlight for drying.
4. **Reassemble:** Once completely dry, reassemble the filter components and place them back into the dust cup. Reattach the dust cup to the vacuum cleaner.

# Washable and Reusable

Good for saving energy and environmental protection



The dirty filter after using



Clean the hepa filter and the filter container



Please dry the hepa filter and filter container completely before assembling them back



After drying, assemble the filter back to the container

**Figure 3:** Step-by-step guide for washing and drying the Greenote GF50 HEPA filter to ensure its reusability.

**Recommendation:** For optimal performance, it is recommended to clean the filter every 2-4 weeks, depending on usage, and replace it every 3-6 months, or when you notice a decrease in suction power despite cleaning.

## 5. TROUBLESHOOTING

Problem	Possible Cause	Solution
---------	----------------	----------

Problem	Possible Cause	Solution
Reduced Suction Power	Clogged or dirty filter.	Clean the HEPA filter as per maintenance instructions. Ensure it is completely dry before reinstallation. If suction does not improve, consider replacing the filter.
Unusual Odor from Vacuum	Filter not dried completely, leading to mold or mildew.	Ensure the filter is thoroughly dry after washing. If odor persists, replace the filter.
Filter Does Not Fit	Incorrect filter model.	Verify that you have the Greenote GF50 filter, compatible with GSC50 and GSC40 models.

## 6. PRODUCT SPECIFICATIONS

---

- **Model:** GF50
- **Compatibility:** Greenote GSC50, Greenote GSC40 Vacuum Cleaners
- **Filter Type:** Washable HEPA Filter
- **Material:** PET
- **Reusability:** Reusable
- **Item Weight:** Approximately 3.52 ounces
- **Product Dimensions:** Approximately 3.54"L x 3.54"W x 2.2"H (9cm x 9cm x 5.6cm)
- **Included Components:** HEPA Filter (2 Pack)

# Product Size

---

Length : 9CM Width :9CM Height :5.6cm



Figure 4: Greenote GF50 HEPA filter packaging and approximate product dimensions.

## 7. WARRANTY AND SUPPORT

---

Greenote is committed to providing high-quality products and excellent customer service.

- **Money Back Guarantee:** Enjoy a 60-day money-back guarantee from the date of purchase.
- **Warranty:** This product may be covered by a warranty of up to 72 months. Please refer to your purchase documentation or contact Greenote customer service for specific warranty terms and conditions.
- **Customer Support:** For any questions, concerns, or assistance, please contact Greenote customer service. We offer 24/7 rapid response service.



**Figure 5:** Overview of Greenote's customer service policy, including warranty and support details.

For further assistance, please visit the official Greenote website or contact their support channels.

© 2023 Greenote. All rights reserved.

This manual is for informational purposes only. Greenote reserves the right to make changes without prior notice.