

Manuals+

[Q & A](#) | [Deep Search](#) | [Upload](#)

[manuals.plus](#) /

› [YardMonet](#) /

› [YardMonet Brushed Nickel Bathroom Sink Faucet Instruction Manual](#)

YardMonet 202-H

YardMonet Bathroom Sink Faucet Instruction Manual

Model: 202-H | Brand: **YardMonet**

INTRODUCTION

This instruction manual provides comprehensive details for the YardMonet Brushed Nickel Bathroom Sink Faucet, Model 202-H. Crafted from high-quality 304 stainless steel, this 4-inch centerset faucet features a corrosion-resistant and rust-resistant brushed nickel finish that is also effective against fingerprints. It includes two lever handles for effortless control of water temperature and flow, a 360-degree swivel spout, and a thoughtful pop-up drain assembly with a built-in anti-clogging basket filter for easy cleaning. Designed for straightforward DIY installation, this faucet is a durable and functional addition to any bathroom.



Figure 1: YardMonet Brushed Nickel Bathroom Sink Faucet

PRODUCT FEATURES

- **Premium Material:** Made of high-quality 304 stainless steel, ensuring corrosion resistance and rust resistance for long-lasting durability.
- **Anti-Fingerprint Finish:** Classic brushed nickel appearance designed to resist fingerprints, maintaining a clean and comfortable bathroom environment.
- **Dual Handle Control:** Features two lever handles that rotate 90° for precise and effortless control over water temperature and flow.
- **Easy Installation:** 4-inch centerset design allows for quick and easy DIY installation without the need for a

professional plumber.

- **360-Degree Swivel Spout:** Provides enhanced flexibility and convenience for various sink tasks.
- **Integrated Pop-Up Drain:** Includes a user-friendly pop-up drain assembly with a built-in anti-clogging basket filter for easy maintenance.
- **Water-Saving Aerator:** Equipped with an ABS aerator that helps save up to 50% of water while reducing splash and noise.



Figure 2: ABS Aerator for efficient water use.



Figure 3: Durable stainless steel construction with anti-fingerprint coating.

COMPONENTS INCLUDED

The following components are included with your YardMonet Bathroom Sink Faucet:

- Faucet Assembly
- Pop Up Drain Assembly
- Water Supply Lines (24 Inches)
- Instruction Manual
- Installation Hardware

OVERALL DIMENSIONS

INCLUDED:
Drain assembly✓
Supply lines✓

HOLE SIZE:
1-1.3inches

MAX DECK THICKNESS:
1.2inches

HOLES FOR INSTALLATION

DIMENSIONS

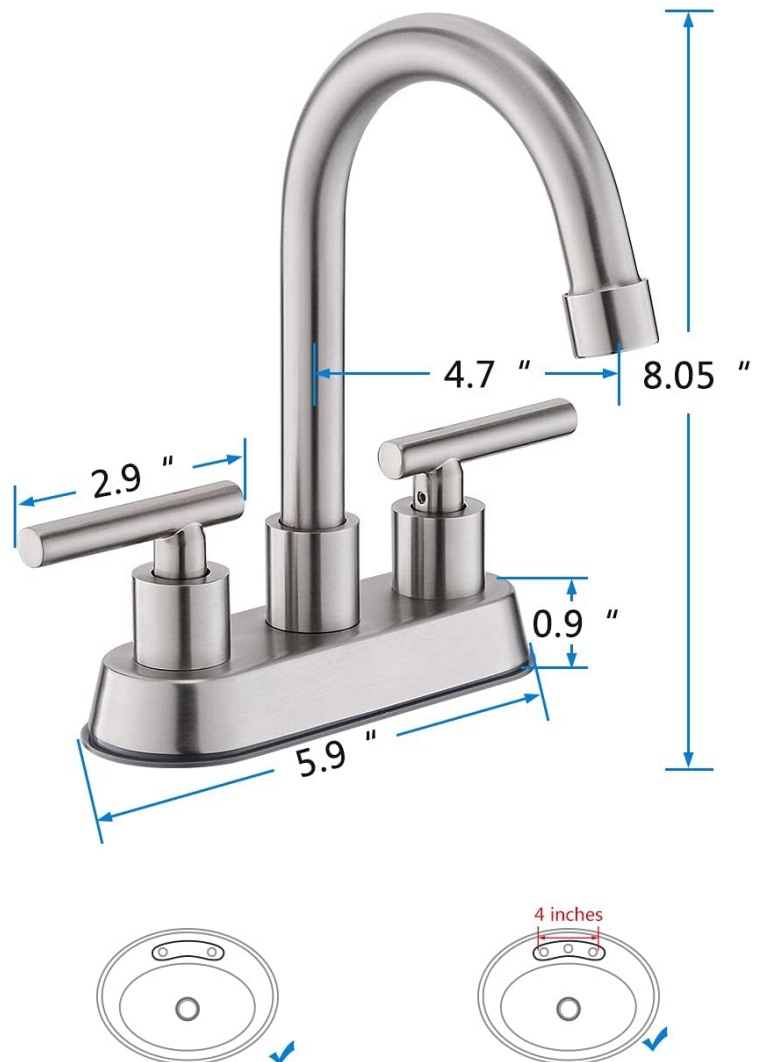


Figure 4: Faucet dimensions and included parts.

SPECIFICATIONS

| Attribute | Detail |
|-------------------|--------------------|
| Brand | YardMonet |
| Model Name | 202-H |
| Material | Stainless Steel |
| Finish Type | Brushed Nickel |
| Mounting Type | Deck Mount |
| Installation Type | Centerset (4-inch) |
| Number of Handles | 2 |

| Attribute | Detail |
|--------------------------------|-------------------------|
| Handle Type | Lever |
| Hole Count | 2 |
| Maximum Flow Rate | 1.15 Gallons Per Minute |
| Valve Type | Cartridge Valve |
| Spout Height | 5.17 Inches |
| Spout Reach | 4.7 Inches |
| Hose Length | 24 Inches |
| Item Weight | 2.7 pounds |
| Product Dimensions (D x W x H) | 7"D x 5.9"W x 8.05"H |

INSTALLATION GUIDE

Before You Begin

- Ensure you have all included components and necessary tools (adjustable wrench, plumber's tape, screwdriver, basin wrench).
- Turn off the main water supply to your bathroom.
- Clear the area under the sink for easy access.

Installation Steps

1. Remove your old faucet and clean the sink surface thoroughly.
2. Place the new faucet base plate onto the sink holes, ensuring proper alignment.
3. From underneath the sink, secure the faucet with the provided mounting hardware (washers and nuts). Tighten firmly but do not overtighten.
4. Connect the hot and cold water supply lines to the corresponding faucet inlets. Use plumber's tape on threaded connections to prevent leaks.
5. Install the pop-up drain assembly into the sink drain hole. Ensure all gaskets are properly seated and tighten the retaining nut from underneath.
6. Connect the pop-up drain to your existing P-trap or drain pipe.
7. Once all connections are secure, slowly turn on the main water supply.
8. Check for any leaks at all connection points. Tighten as necessary.
9. Test the hot and cold water flow and the pop-up drain function.

OPERATION

The YardMonet bathroom faucet is designed for intuitive and smooth operation:

- **Water Flow and Temperature:** Use the two lever handles to control water flow and temperature. Rotate the handles forward 90° to turn on the water. The left handle typically controls hot water, and the right handle

controls cold water. Adjust both handles to achieve your desired temperature and flow rate.

- **Swivel Spout:** The faucet features a 360-degree swivel spout, allowing you to easily move the spout from side to side for convenience during washing or cleaning the sink.
- **Pop-Up Drain:** To close the drain and fill the sink, simply press down on the pop-up drain stopper. To open the drain and allow water to flow out, press down on the stopper again.



360 Degree Swivel Spout

Figure 5: Faucet operation showing swivel and handle controls.

CARE AND MAINTENANCE

Proper care and maintenance will ensure the longevity and pristine appearance of your YardMonet faucet:

- **Regular Cleaning:** Clean the faucet regularly with a soft cloth and mild soap or a non-abrasive cleaner. Avoid using harsh chemicals, abrasive cleaners, or scouring pads, as these can damage the brushed nickel finish.
- **Prevent Water Spots:** The anti-fingerprint finish helps, but to prevent water spots and mineral buildup, wipe the faucet dry after each use, especially in areas with hard water.
- **Drain Maintenance:** The pop-up drain's built-in anti-clogging basket filter is easy to clean. Periodically remove

the stopper and clear any debris from the basket to maintain optimal drainage.

- **Aerator Cleaning:** If water flow becomes restricted, the aerator may be clogged. Unscrew the aerator from the spout, clean any mineral deposits or debris, and reattach it.



Figure 6: Easy-to-clean pop-up drain with basket filter.

TROUBLESHOOTING

If you encounter any issues with your faucet, refer to the following common problems and solutions:

| Problem | Possible Cause | Solution |
|--------------------|--|---|
| Low Water Flow | Clogged aerator or debris in supply lines. | Clean or replace the aerator. Check supply lines for kinks or blockages. |
| Leaking from Spout | Worn out cartridge valve. | Replace the cartridge valve. Refer to the installation guide for disassembly. |

| Problem | Possible Cause | Solution |
|--------------------------|--|--|
| Leaking at Base | Loose mounting nuts or damaged gaskets. | Tighten mounting nuts. Inspect and replace gaskets if damaged. |
| Drain Not Sealing | Debris in drain or improper stopper alignment. | Clear debris from the drain basket. Ensure the pop-up stopper is correctly seated. |
| Water Temperature Issues | Improper supply line connection or water heater issue. | Verify hot and cold supply lines are connected to the correct inlets. Check water heater settings. |

If the issue persists after attempting these solutions, please contact customer support.

WARRANTY AND SUPPORT

YardMonet stands behind the quality of its products. This faucet comes with **lifetime warranty**, ensuring peace of mind regarding its performance and durability.

For any questions, concerns, or assistance with installation, operation, or troubleshooting, please do not hesitate to contact our friendly customer service team. We are committed to ensuring your complete satisfaction.

Contact information can be found on our official website or the product packaging.