

[Manuals.plus](#) /

› [LUXCEO](#) /

› LUXCEO P200 RGB LED Video Light Instruction Manual

LUXCEO P200

LUXCEO P200 RGB LED Video Light Instruction Manual

Model: P200

1. INTRODUCTION

Thank you for choosing the LUXCEO P200 RGB LED Video Light. This portable and versatile lighting tool is designed for various photography and videography applications, offering full-color control, adjustable brightness, and multiple mounting options. Please read this manual thoroughly before use to ensure proper operation and to maximize the lifespan of your device.



Image 1: The LUXCEO P200 RGB LED Video Light, showcasing its sleek design and vibrant color capabilities.

2. SAFETY INSTRUCTIONS

- Do not disassemble or modify the device. Unauthorized modifications can lead to electric shock, fire, or product damage.
- Keep the device away from extreme temperatures, direct sunlight, and high humidity.
- Use only the provided USB-C cable and a 5V2A charger for charging. Using incompatible chargers may damage the battery.
- Although the device is IP67 waterproof, ensure the charging port cover is securely closed before exposing it to water. Avoid prolonged submersion in deep water.
- Do not block the ventilation openings during operation to prevent overheating.
- Keep out of reach of children.
- Dispose of the product and its battery responsibly according to local regulations.

3. PACKAGE CONTENTS

Please check the package contents upon opening to ensure all items are present and in good condition.



Image 2: Visual representation of all items included in the LUXCEO P200 product package.

- RGB Tube Light (P200) x 1
- Carrying Bag x 1
- Iron Bar x 1
- USB-C Cable x 1
- Lanyards x 2
- Remote Control x 1
- User Manual x 1

4. PRODUCT OVERVIEW

4.1 Physical Components



SHOW THE DETAILS

Great quality and small & light weight, with good handheld feeling

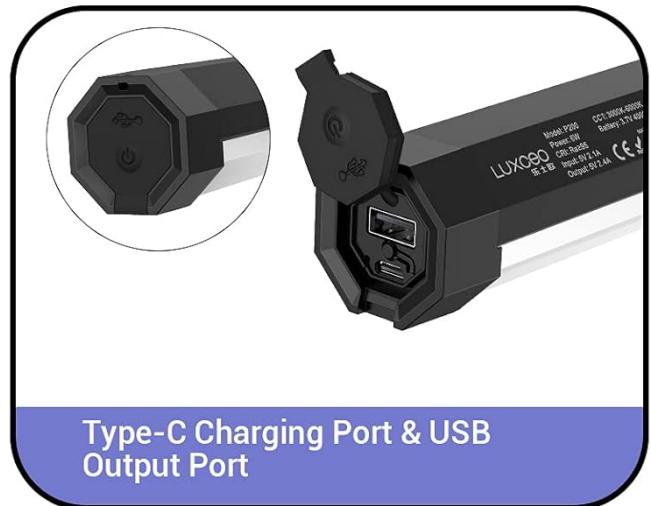
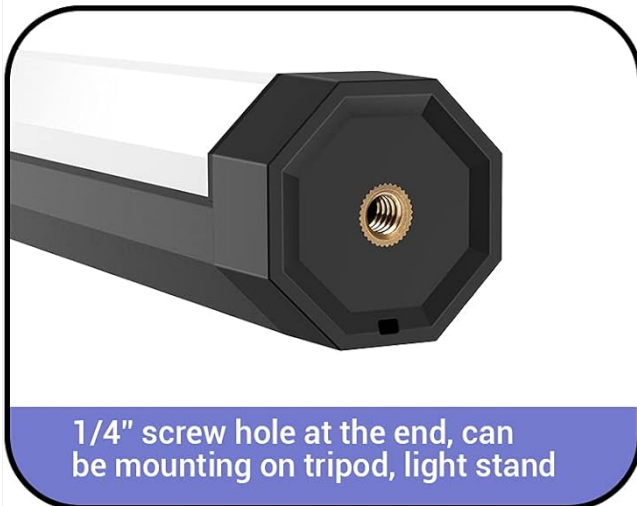
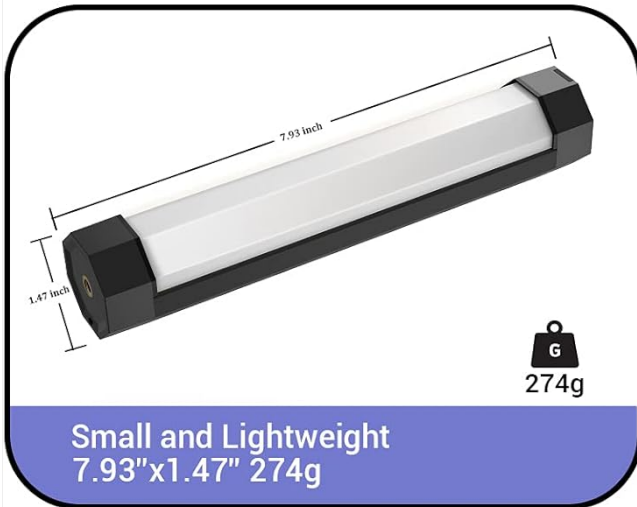


Image 3: Close-up view highlighting the dimensions, light transmission, 1/4" screw hole, and USB-C/USB-A ports of the P200 light.

- **Light Tube:** Main light source with high light transmission soft lampshade.
- **Power Button:** Located on one end for turning the device on/off.
- **USB-C Charging Port:** For charging the internal battery.
- **USB Output Port:** Functions as a power bank to charge other devices.
- **1/4" Standard Nut Hole:** Located at the bottom for mounting on tripods or light stands.
- **Built-in Magnets:** Two magnets on both ends for quick attachment to metal surfaces.

4.2 Key Features

- **Full RGB Color:** Offers 360° full-color adjustment with 0-100 adjustable saturation and 1%-100% adjustable brightness.
- **Adjustable Color Temperature:** Seamlessly adjust from 3000K (warm white) to 6000K (cool white).
- **High CRI:** Ra>95+ for accurate color rendering.
- **IP67 Waterproof:** Designed to be resistant to dust and water immersion up to 1 meter for 30 minutes.
- **Built-in 4000mAh Battery:** Provides up to 150-360 minutes of operation depending on brightness. Functions as a power bank.
- **Multiple Control Methods:** Control via integrated buttons, remote control, or smartphone application.

- **Versatile Mounting:** Features a 1/4" screw hole and built-in magnets for flexible placement.



Image 4: The LUXCEO P200 demonstrating its IP67 waterproof capability by being submerged in water.

5. SETUP

5.1 Initial Charging

Before first use, fully charge the LUXCEO P200.

1. Connect the provided USB-C cable to the charging port on the light.
2. Connect the other end of the USB-C cable to a 5V2A USB power adapter (not included).
3. The charging indicator light will show charging status. A full charge typically takes about 3 hours.
4. The device can be used while charging.

High Battery Capacity:4000mAh

Working Time: **150** min- **360** min
Power Bank Function:Can charge iphone8 up to 2 time
Type-C:Faster charging



Image 5: The LUXCEO P200 light connected via USB-C cable, demonstrating its power bank functionality by charging a smartphone.

5.2 Power On/Off

- To power on, press and hold the power button located on one end of the light until the light illuminates.
- To power off, press and hold the power button again until the light turns off.

6. OPERATION

6.1 Manual Controls

The LUXCEO P200 features integrated buttons for basic adjustments. Refer to the specific button functions on the

device for detailed control.

6.2 Remote Control

The included remote control provides convenient access to various lighting modes and settings.

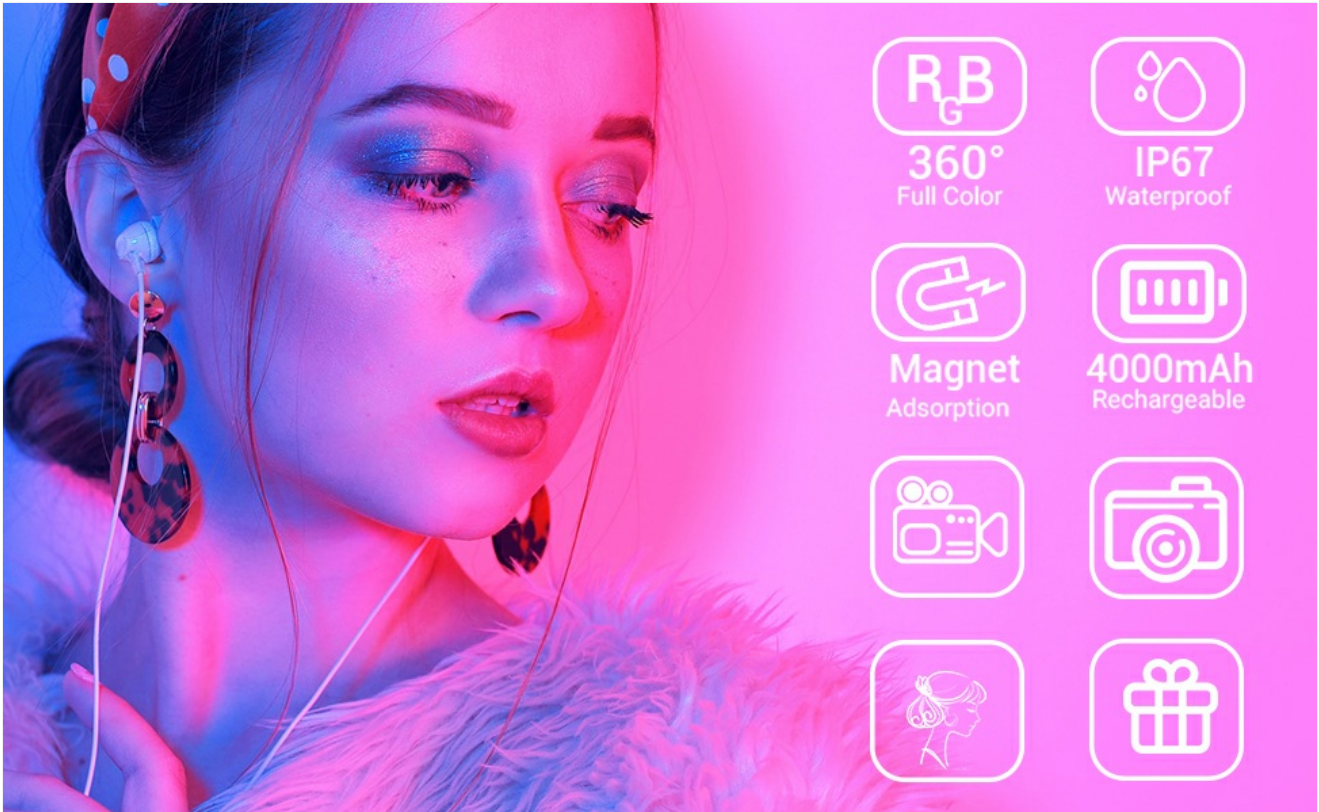


Image 6: The LUXCEO P200 light shown alongside its remote control and the smartphone application interface, illustrating multiple control options.

- **Power Button:** Turn the light on or off.
- **Mode Button:** Cycle through different lighting modes (e.g., CCT, RGB, Scene Effects).
- **Brightness Adjustment:** Increase or decrease light intensity.
- **Color/Temperature Adjustment:** Change color hue in RGB mode or color temperature in CCT mode.
- **Saturation Adjustment:** Control the intensity of the color in RGB mode.

6.3 App Control

For advanced control and features, download the LUXCEO app on your smartphone.

1. Download the official LUXCEO app from your device's app store.
2. Enable Bluetooth on your smartphone.
3. Open the app and follow the on-screen instructions to connect to your P200 light. Multiple LUXCEO lights can be controlled simultaneously.
4. The app allows for precise control over color, brightness, saturation, and offers additional features such as:
 - Music Rhythm Mode: Changes lighting color according to music.
 - Customizable Scene Effects: Create and save personalized lighting scenarios.

What is in The Box?



Remoter



Type-C



User Manual



Carry Bag



RGB Video Light



Lanyards



Iron Bar

Image 7: Screenshot of the LUXCEO app interface, demonstrating options for music sync, scene settings, color temperature, and full-color selection.

6.4 Mounting Options

- **1/4" Screw Hole:** Mount the light onto any standard tripod, light stand, or camera accessory with a 1/4" thread.
- **Built-in Magnets:** The magnets on both ends allow for quick attachment to metal surfaces. Use the included iron bar to attach the light to non-metallic surfaces like curtains or tents.



Built-in Magnets on Both Ends to Achieve Fast Lighting

Powerful magnets can be adsorbed in seconds, easy to install. Come with an iron bar, can have the lights adsorbed on curtains, clothes, tents, etc.. which with iron.



7. MAINTENANCE

- **Cleaning:** Wipe the light with a soft, dry cloth. Do not use harsh chemicals or abrasive materials.
- **Storage:** When not in use for extended periods, store the light in its carrying bag in a cool, dry place. Charge the battery at least once every three months to maintain battery health.
- **Battery Care:** Avoid fully discharging the battery frequently. For optimal battery life, keep the charge between 20% and 80%.

8. TROUBLESHOOTING

If you encounter issues with your LUXCEO P200, refer to the following common problems and solutions:

Q: Why is the light not turning on?

A: Ensure the battery is charged. Connect the light to a power source using the USB-C cable and check if the charging indicator activates. If the light still does not turn on after charging, contact customer support.

Q: Why does the light flicker?

A: The LUXCEO P200 uses a constant current analog dimming mechanism designed to eliminate flicker. If flickering occurs, ensure the light is fully charged and try resetting it by powering off and on. If the issue persists, contact customer support.

Q: The remote control is not working.

A: Check if the remote control's battery needs replacement. Ensure there are no obstructions between the remote and the light. For initial pairing, follow the instructions in the remote control's specific guide.

Q: The app cannot connect to the light.

A: Ensure Bluetooth is enabled on your smartphone and the light is powered on. Try restarting both the app and the light. If the problem persists, try reinstalling the app.

Q: Can the light be used while charging?

A: Yes, the light can be used while charging. For best results, use the original charging cable and a 5V2A charger.

Q: Is the light waterproof?

A: Yes, the LUXCEO P200 is IP67 waterproof. Ensure the charging port cover is sealed properly before exposing it to water.

9. SPECIFICATIONS

Model	P200
Product Dimensions	7.93 x 1.48 x 1.48 inches (1.47"L x 1.47"W x 7.93"H)
Item Weight	13.7 ounces
Battery Type	1 Lithium Ion battery (included)
Battery Capacity	4000mAh
Battery Life (Brightest Mode)	Approx. 150 minutes (2.5 hours)
Charging Time	Approx. 3 hours (with 5V2A charger)
Color Temperature Range	3000K - 6000K

Brightness Adjustment	1% - 100%
Color Rendering Index (CRI)	Ra>95+
Waterproof Rating	IP67
Connectivity Technology	Remote Control, Bluetooth (App Control)
Hardware Interface	USB Type C (charging), USB Type A (power bank output)
Manufacturer	LUXCEO

10. WARRANTY AND SUPPORT

The LUXCEO P200 RGB LED Video Light comes with a **1-year warranty** from the date of purchase. Additionally, a **30-day money-back guarantee** is offered.

If you experience any issues with your product or require assistance, please do not hesitate to contact LUXCEO customer support. Refer to the contact information provided on the product packaging or the official LUXCEO website for support channels.