

[Manuals.plus](#) /

> [XLTTY](#) /

> XLTTY Pedestal Fan User Manual

## XLTTY B0974R2QRL

# XLTTY Pedestal Fan User Manual

Model: B0974R2QRL | Brand: XLTTY

## IMPORTANT SAFETY INSTRUCTIONS

---

Please read all instructions carefully before using this appliance and retain for future reference. Failure to follow these instructions may result in electric shock, fire, or serious personal injury.

- Always unplug the fan from the power outlet before cleaning, servicing, or moving it.
- Do not operate the fan with a damaged cord or plug. If the cord or plug is damaged, contact qualified service personnel for repair or replacement.
- Do not run the power cord under carpeting. Do not cover the cord with throw rugs, runners, or similar coverings. Arrange the cord away from traffic areas where it will not be tripped over.
- This fan is intended for indoor use only. Do not use outdoors or in wet locations.
- Do not insert fingers or any other objects through the grille when the fan is operating.
- Place the fan on a stable, level surface to prevent it from tipping over.
- Keep the fan away from curtains, drapes, or any objects that may get caught in the fan blades.
- Do not use this fan near water, such as in a bathroom, laundry area, or swimming pool.
- Supervise children when the fan is in use. This appliance is not intended for use by persons (including children) with reduced physical, sensory or mental capabilities, or lack of experience and knowledge, unless they have been given supervision or instruction concerning use of the appliance by a person responsible for their safety.

## PRODUCT OVERVIEW

---

The XLTTY Pedestal Fan is designed to provide efficient and quiet cooling for your home or office. It features adjustable height, multiple speed settings, oscillation, and a convenient timer function.

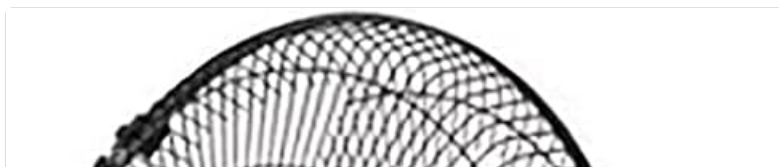




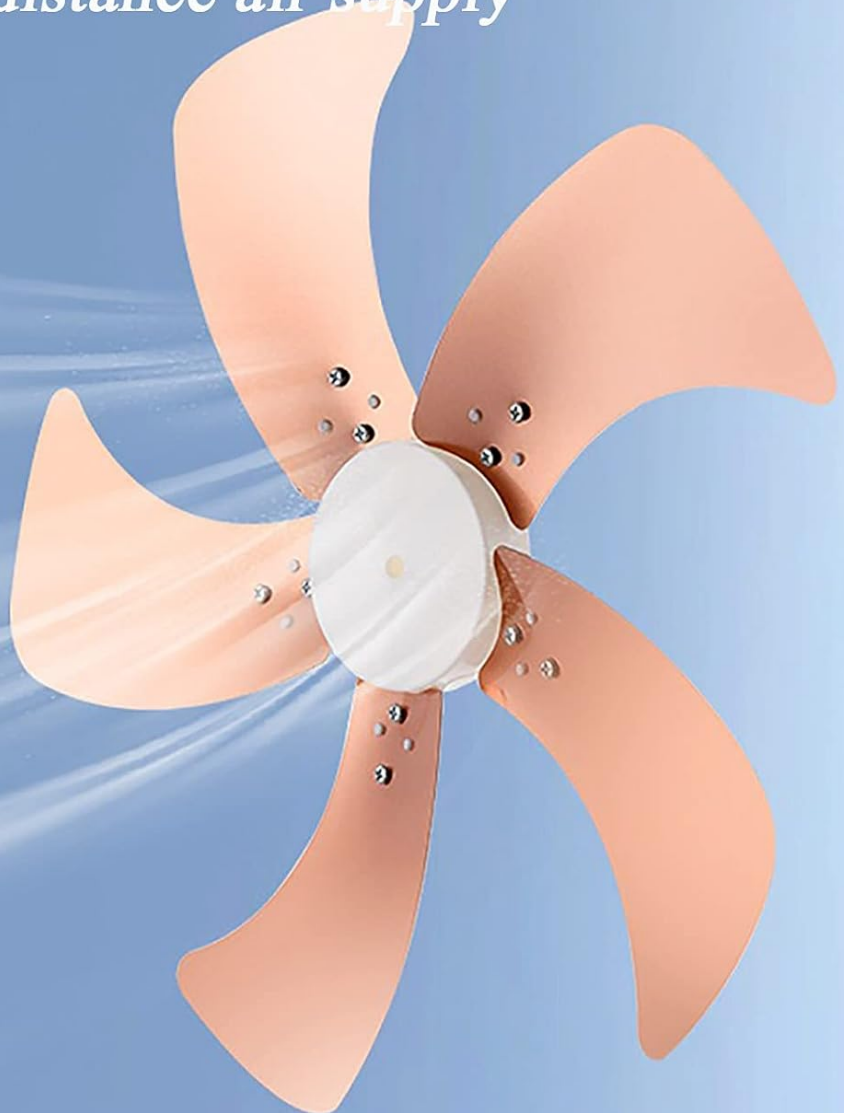


Figure 1: Full view of the XLTTY Pedestal Fan, showcasing its sleek black design and stable round base.

## Key Features:

- **Quiet Operation:** Equipped with a brushless DC motor and 5 blades, reducing noise levels to as low as 35dB for a peaceful environment.
- **Adjustable Speed Settings:** Three distinct wind speeds (sleep, natural, strong) to suit your comfort needs.
- **Widespread Oscillation:** An 85-degree oscillation angle ensures broad air distribution across the room.
- **Adjustable Height & Tilt:** Customize the fan's height and head tilt for optimal airflow direction.
- **1-Hour Timer:** Convenient timer function for automatic shut-off, ideal for energy saving during sleep.
- **Energy Efficient:** Low power consumption of only 48W.

*Large twisted aluminum fan  
10 meters long distance air supply*



**165**m/min

Figure 2: Close-up of the fan blades demonstrating the powerful and wide-reaching airflow, capable of supplying air up to 10 meters.



Figure 3: Illustration comparing the fan's operating noise level (less than 35 dB) to common sounds like everyday talk (50-60 dB) and a library (0-20 dB), highlighting its quiet performance.



Figure 4: Visual representation of the fan's low energy consumption, indicating only 0.6 kWh over 12 hours of operation.

## COMPONENTS AND ASSEMBLY

---

Before assembly, ensure all components are present and undamaged. The package should include:

- Fan Head Assembly (motor, blades, front and rear grilles)
- Adjustable Stand Pole
- Round Base
- Base Screw/Nut (if separate)
- Power Cord (integrated)

## Assembly Steps:

1. **Attach the Stand Pole to the Base:** Insert the bottom end of the adjustable stand pole into the center hole of the round base. Secure it firmly using the provided screw or nut from underneath the base.
2. **Attach the Fan Head to the Stand Pole:** Carefully place the fan head assembly onto the top of the stand pole. Ensure it clicks securely into place or is tightened with the provided locking mechanism.
3. **Adjust Height:** Loosen the height adjustment knob on the stand pole, extend or retract the pole to your desired height, and then securely tighten the knob.
4. **Adjust Tilt:** The fan head can be tilted up or down. Gently push or pull the fan head to achieve the desired angle.



Figure 5: The adjustable height feature of the pedestal fan, allowing users to customize the fan's elevation for optimal air distribution.

# *Simple installation and easy cleaning*



*Pagoda dragon skeleton*

*Net cover to prevent falling off*

Figure 6: Depiction of the fan's design for simple installation and easy cleaning, highlighting the secure net cover and stable structure.

## **OPERATING INSTRUCTIONS**

---

Once assembled, plug the fan into a standard electrical outlet. The control panel is located on the front of the stand pole.

## Three speed wind speed



*First gear*



*Secnd gear*



*Third gear*



Figure 7: Close-up of the fan's control panel, showing the rotary dial for timer settings and push buttons for speed control and oscillation.

### Control Panel Functions:

- **Power Button (0):** Press to turn the fan ON or OFF.
- **Speed Buttons (1, 2, 3):** Press to select the desired fan speed.
  - **1 (First Gear):** Low speed, gentle airflow, ideal for sleep or quiet environments.
  - **2 (Second Gear):** Medium speed, natural wind, suitable for general cooling.
  - **3 (Third Gear):** High speed, strong wind, for maximum cooling.
- **Oscillation Button:** Press to activate or deactivate the oscillation function. When active, the fan head will sweep from side to side to distribute air over a wider area.
- **Timer Dial:** Rotate the dial to set the timer for up to 1 hour. The fan will automatically turn off after the set time.

### Oscillation and Tilt Adjustment:

The fan offers both horizontal oscillation and vertical tilt for comprehensive air circulation.

- **Oscillation:** Press the oscillation button on the control panel. The fan head will automatically rotate horizontally up to 85 degrees. Press again to stop oscillation at the desired direction.
- **Tilt:** Manually adjust the vertical angle of the fan head by gently pushing it up or down. The fan head can tilt up to 29 degrees.

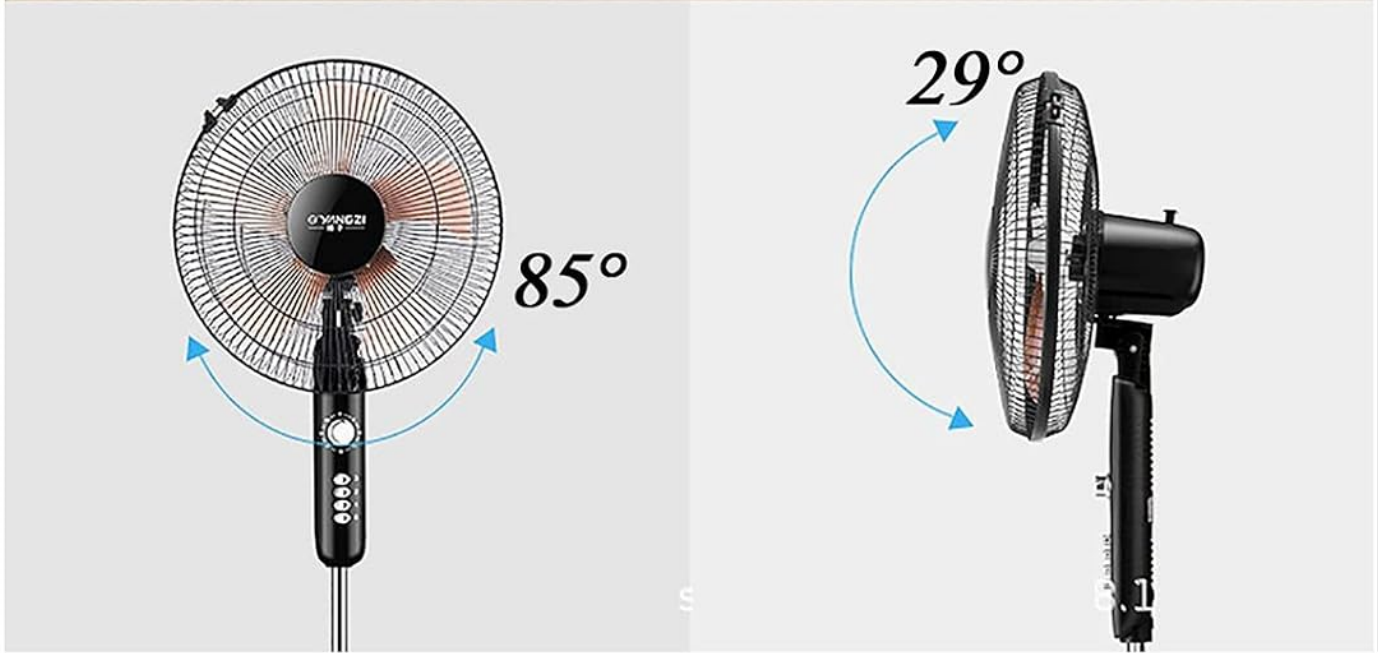


Figure 8: Diagram illustrating the fan's 85-degree horizontal oscillation and 29-degree vertical tilt capabilities, allowing for flexible airflow direction.

## MAINTENANCE AND CLEANING

---

Regular cleaning will help maintain the fan's performance and extend its lifespan. Always unplug the fan before cleaning.

- **Exterior Cleaning:** Use a soft, damp cloth to wipe the exterior surfaces of the fan. Do not use abrasive cleaners or solvents as they may damage the finish.
- **Grille and Blades Cleaning:** Dust can accumulate on the grilles and blades, affecting airflow.
  - To clean the blades, you may need to remove the front grille. Refer to the assembly instructions for reverse steps to safely remove the grille.
  - Use a soft cloth or a vacuum cleaner with a brush attachment to remove dust from the blades and grilles.
  - Ensure all parts are completely dry before reassembling and plugging in the fan.
- **Storage:** When not in use for extended periods, store the fan in a cool, dry place, preferably in its original packaging, to protect it from dust and damage.

# Simple installation and easy cleaning



Figure 9: The fan's design facilitates simple installation and easy cleaning, including access to the blades by removing the front grille.

## TROUBLESHOOTING

If you experience issues with your fan, please consult the following table before contacting customer support.

Problem	Possible Cause	Solution
---------	----------------	----------

Problem	Possible Cause	Solution
Fan does not turn on.	No power supply. Fan not plugged in. Power button not pressed.	Check if the power outlet is working. Ensure the fan is securely plugged into a working outlet. Press the power button (0) on the control panel.
Weak airflow.	Fan speed set too low. Grilles or blades are dusty.	Increase the fan speed using the speed buttons (1, 2, 3). Unplug the fan and clean the grilles and blades as per maintenance instructions.
Fan is noisy.	Fan not on a level surface. Loose parts. Dust accumulation.	Place the fan on a flat, stable surface. Check for any loose screws or components and tighten them. Clean the fan blades and grilles.
Oscillation not working.	Oscillation button not pressed. Obstruction.	Press the oscillation button on the control panel. Ensure there are no objects blocking the fan's rotation.

## TECHNICAL SPECIFICATIONS

Specification	Detail
Product Name	Floor Fan
Model	B0974R2QRL
Brand	XLTTY
Rated Power	48W
Wind Speed Gear	3 Speeds (Sleep, Natural, Strong)
Timing Function	1 Hour
Oscillation Angle	85 degrees
Tilt Angle	Up to 29 degrees
Product Size	1000mm*340mm*260mm (approx. 39.4 x 13.4 x 10.2 inches)
Color	Black

## WARRANTY AND SUPPORT

For warranty information or technical support, please contact the retailer or manufacturer directly. Keep your purchase receipt as proof of purchase.

Manufacturer: XLTTY

For further assistance, please visit the product page on Amazon.com or contact Amazon customer service.

[Product Page Link](#)



