

## Manuals+

[Q & A](#) | [Deep Search](#) | [Upload](#)

manuals.plus /

- › [FerdY](#) /
- › [FerdY Floridian 55" x 33" Walk-in Bathtub User Manual](#)

## FerdY Floridian 55x33

# FerdY Floridian 55" x 33" Walk-in Bathtub

## INSTRUCTION MANUAL

---

### INTRODUCTION

This manual provides comprehensive instructions for the installation, operation, and maintenance of your FerdY Floridian 55" x 33" Walk-in Bathtub. Please read this manual thoroughly before installation and use to ensure safe and efficient operation. Retain this manual for future reference.

**Important Safety Information:** Always consult with a licensed plumber and electrician for installation to ensure compliance with local codes and safety standards. Do not attempt to modify the product. Use only as intended.

### PRODUCT OVERVIEW

The FerdY Floridian Walk-in Bathtub is designed for accessible bathing, featuring a right-side door opening and a quick fill and drain system. It is constructed from durable acrylic with optimal insulation properties.



Image: The FerdY Floridian Walk-in Bathtub installed in a modern bathroom, showcasing its design and right-side door.

## Key Features

- **Quick Fill & Drain System:** Designed for efficient water management, filling in approximately 3 minutes and draining in under 2 minutes.
- **Optimal Insulation:** Constructed with Lucite Grade Acrylic and multiple layers for superior thermal retention, reducing water temperature drop.
- **Easy Maintenance:** 100% glossy white acrylic surface resists yellowing and fading.
- **Extra-wide Door & Low Step-in:** Features a right-side opening door with a watertight seal and a low 4-inch step-in threshold for easy access.
- **Built-in Safety Handrail:** Provides stable support for entry and exit.
- **Anti-Slip Flooring:** Textured liner for enhanced grip.



Image: A detailed diagram highlighting features such as the built-in safety handrail, anti-slip flooring, extendable shower attachment, double-sealed design, 2-inch copper drain and overflow system, and low threshold entry.

## **INSTALLATION AND SETUP**

Professional installation by a licensed plumber is highly recommended to ensure proper setup and adherence to all local plumbing and building codes. Incorrect installation can lead to water damage or product malfunction.

### **Pre-Installation Checks**

- Verify that the installation area can support the weight of the bathtub filled with water and a bather.
- Ensure adequate access for plumbing connections (hot and cold water lines, drain).
- Confirm that the floor is level and structurally sound.
- Unpack the bathtub carefully and inspect for any shipping damage. Report any damage immediately.

### **Dimensions and Requirements**

Refer to the specification sheet for precise measurements and rough-in dimensions. The bathtub measures approximately 55"L x 33"W x 41"H (overall height). A removable wall/extension panel kit is available to fit 60" tub openings.

# FERDY SPECIFICATION SHEET - 02604-5533R-55" × 33"

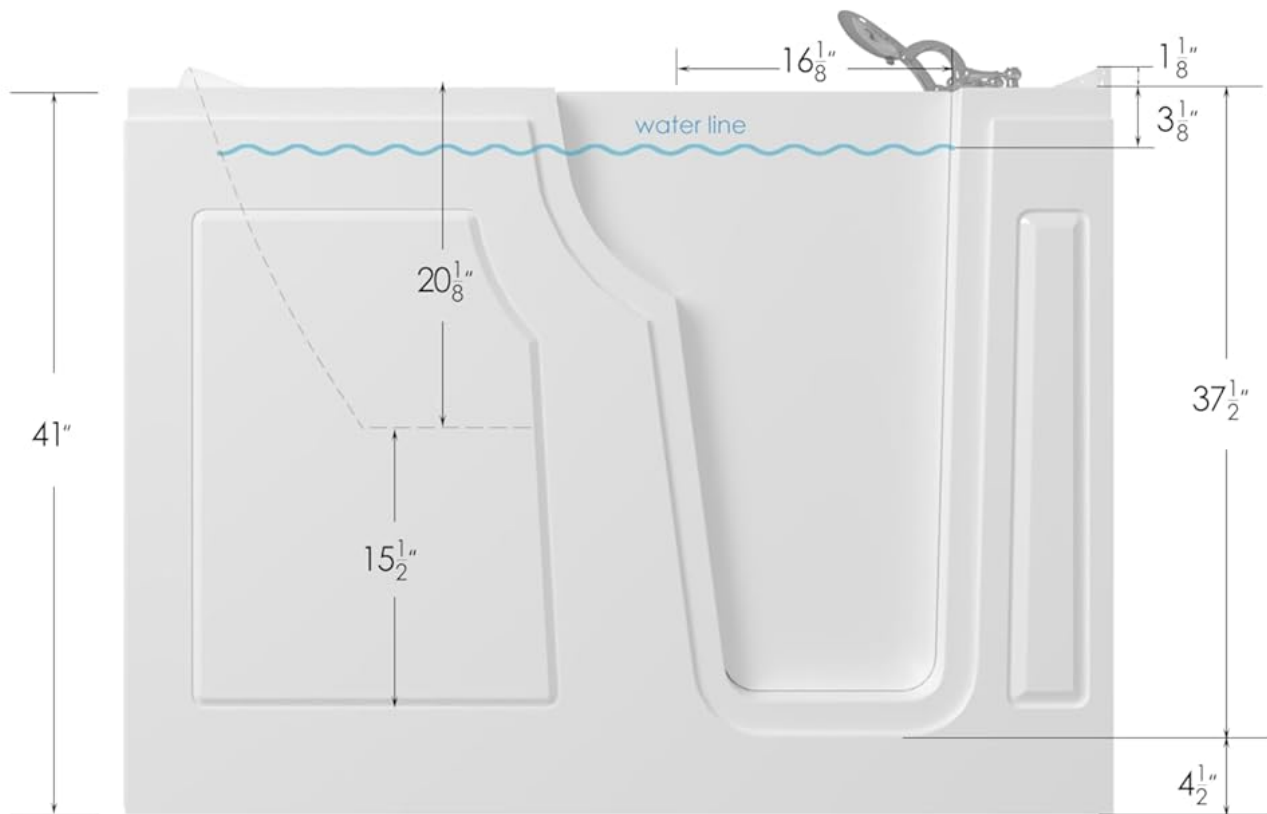
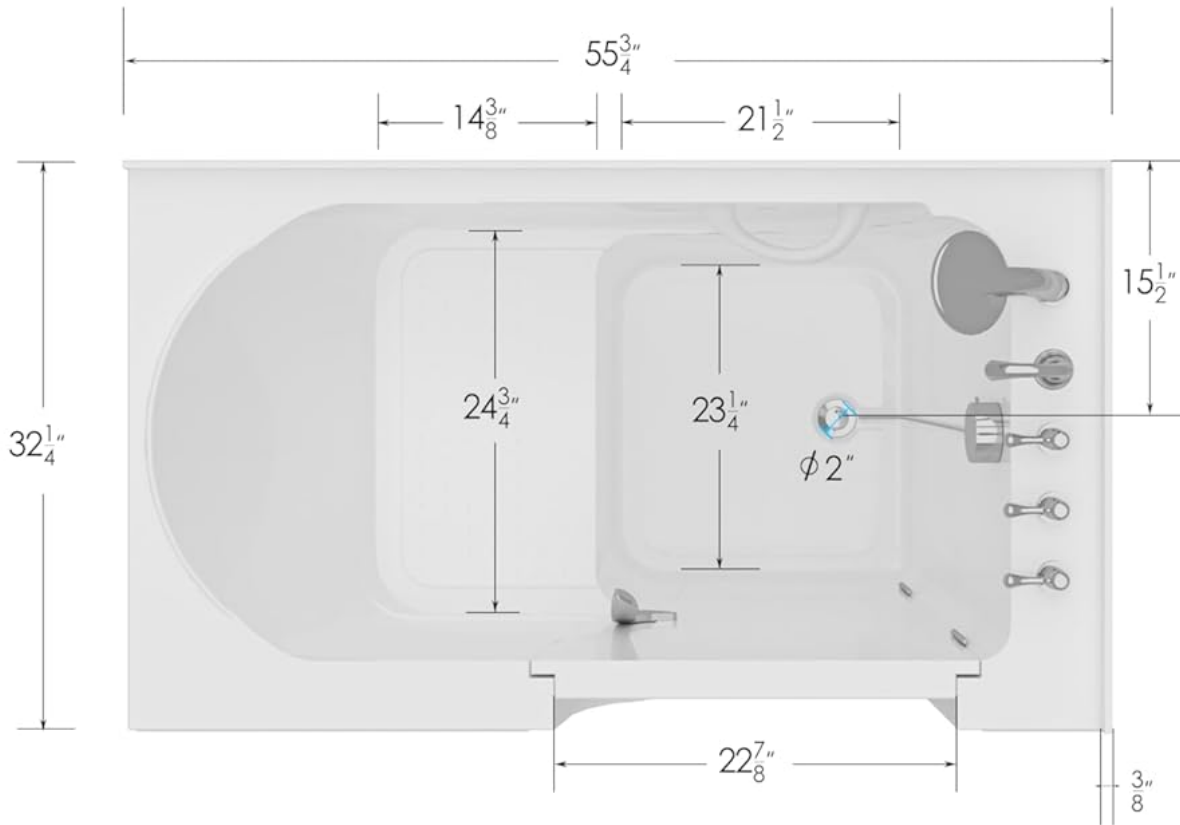


Image: A technical drawing showing the top and side views of the FerdY Floridian Walk-in Bathtub with all critical

dimensions labeled.



Image: The FerdY Floridian Walk-in Bathtub with a dashed line indicating the removable wall section and extension panels for wider openings.

## **OPERATING YOUR FERDY FLORIDIAN WALK-IN BATHTUB**

### **Door Operation**

- To open the door, turn the easy-grip handle located on the door.
- To close the door, push it firmly until it latches securely. The watertight seal prevents leaks when the tub is filled.
- Always ensure the door is fully closed and sealed before filling the bathtub.

### **Filling the Bathtub (Quick Fill)**

- Once inside the tub and the door is securely closed, turn on the faucet to begin filling.
- The Quick Fill system is designed to fill the tub rapidly, approximately 15 gallons per minute at 60 psi.
- Monitor the water level and turn off the faucet when the desired level is reached.

### **Draining the Bathtub (Fast-Drain System)**

- After bathing, turn the easy-grip drain handle located beneath the showerhead to open the drain.
- The Fast-Drain system is designed to empty the tub in less than 2 minutes.
- Wait until the tub is completely drained before attempting to open the door. Opening the door while water is still in the tub will result in water spilling onto the bathroom floor.

# FLORIDIAN WALK-IN RIGHT-SIDE DOOR OPENING

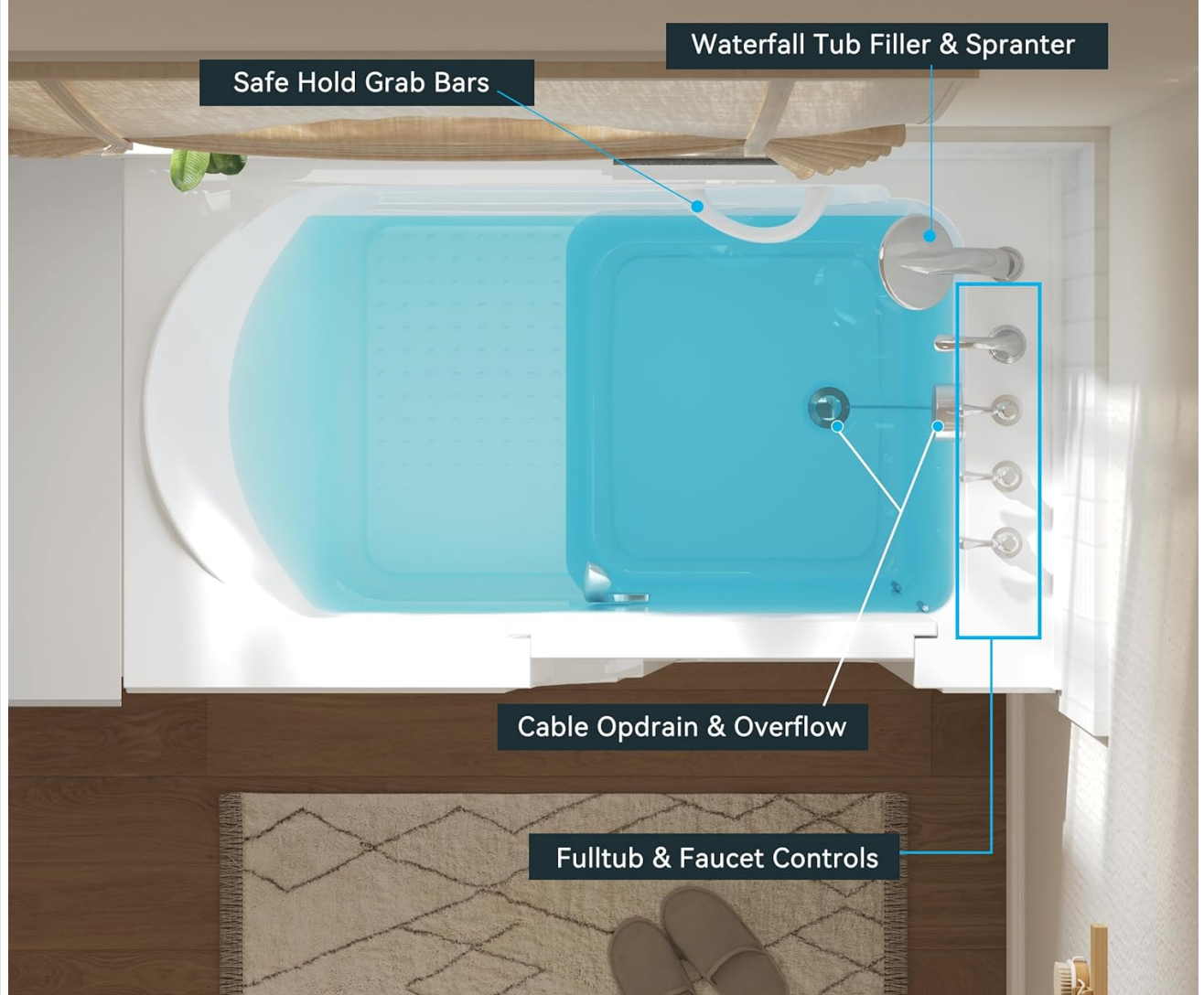


Image: An overhead view of the bathtub highlighting the faucet controls, showerhead, cable opdrain and overflow, and safe hold grab bars.

## MAINTENANCE AND CARE

Proper care and maintenance will ensure the longevity and appearance of your FerdY Floridian Walk-in Bathtub.

### Cleaning Instructions

- Clean the acrylic surface regularly with a soft cloth and a non-abrasive, mild bathroom cleaner.
- Avoid using harsh chemicals, abrasive pads, or scouring powders, as these can damage the acrylic finish.
- For stubborn stains, a diluted solution of white vinegar and water can be used. Rinse thoroughly after cleaning.
- Periodically check and clean the drain and overflow components to prevent blockages.

### Long-Term Care

The 100% glossy white acrylic is designed to resist yellowing for at least 10 years without additional coatings. No special long-term treatments are typically required beyond regular cleaning.

## TROUBLESHOOTING

This section addresses common issues you might encounter. For problems not listed here, please contact customer support.

- **Slow Drain:**

**Possible Cause:** Partial blockage in the drain or plumbing system.

**Solution:** Check the drain for debris and clear any obstructions. If the issue persists, consult a licensed plumber.

- **Water Temperature Drops Quickly:**

**Possible Cause:** While the tub has optimal insulation, external factors or extremely low room temperatures can affect heat retention.

**Solution:** Ensure the bathroom is adequately heated. The tub's insulation is designed to limit temperature drop to approximately 1 degree Fahrenheit over 45 minutes at a room temperature of 77 degrees Fahrenheit.

- **Door Leakage:**

**Possible Cause:** Door not fully closed, debris on the seal, or damaged seal.

**Solution:** Ensure the door is firmly closed and latched. Inspect the watertight seal for any debris and clean it. If the seal appears damaged, contact customer support for replacement parts.

## PRODUCT SPECIFICATIONS

Feature	Specification
Brand	FerdY
Model	Floridian
Size	55" x 33"
Product Dimensions	56"L x 32"W x 4"H (approximate overall dimensions)
Material	Acrylic
Color	White
Installation Type	Alcove
Capacity	93.71 Gallons
Item Weight	195.8 pounds
Door Opening	Right-Side
Special Features	Quick Fill & Drain, Optimal Insulation, Low Step-in, Anti-Slip Flooring, Built-in Handrail

# FerdY® Walk-in Bath

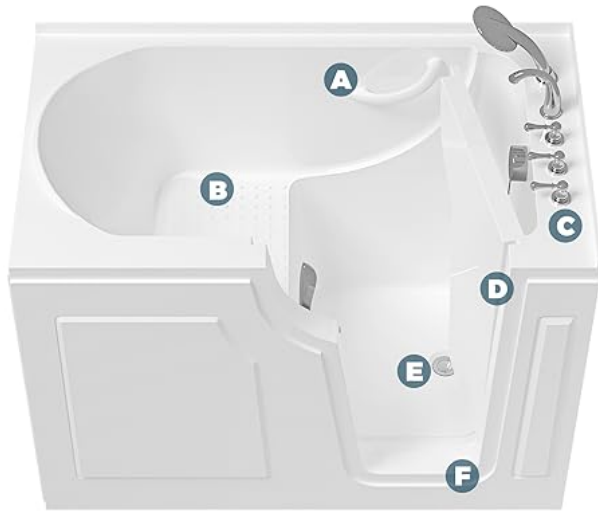


Image: A cross-section diagram illustrating the thermal insulation layers: Acrylic, Fiberglass, Polyethylene Resin, and Fiberglass Resin Mixture, along with a graph showing minimal temperature drop over time.

## WARRANTY INFORMATION

FerdY products are manufactured to high-quality standards. For specific warranty details regarding your Floridian Walk-in Bathtub, please refer to the warranty card included with your purchase or contact FerdY customer support directly. The acrylic surface is guaranteed not to yellow for at least 10 years.

## CUSTOMER SUPPORT

For any questions, technical assistance, or to order replacement parts, please contact FerdY customer support. We are committed to providing excellent after-sales service.

- **Online Support:** Visit the official FerdY website for FAQs and support resources.
- **Contact Information:** Refer to your product packaging or the FerdY website for current contact details (phone, email).