



Manuals.plus /

› EDESA /

› EDESA EFC-1711-I Integrated Combined Refrigerator User Manual

## EDESA EFC-1711-I

# EDESA EFC-1711-I Integrated Combined Refrigerator User Manual

Model: EFC-1711-I

## 1. IMPORTANT SAFETY INFORMATION

---

Please read this instruction manual carefully before using your appliance and keep it for future reference. This manual provides important safety instructions, installation guidelines, and operational procedures for your EDESA EFC-1711-I integrated combined refrigerator.

- Ensure the appliance is properly grounded before use.
- Do not damage the refrigerant circuit.
- Do not use electrical appliances inside the food storage compartments unless they are of the type recommended by the manufacturer.
- Keep ventilation openings clear of obstruction.
- This appliance is intended for household use only.
- Children should be supervised to ensure they do not play with the appliance.

## 2. SETUP AND INSTALLATION

---

### 2.1 Unpacking

Carefully remove all packaging materials. Inspect the appliance for any damage. Report any damage to your retailer immediately.

### 2.2 Placement and Dimensions

The EDESA EFC-1711-I is an integrated combined refrigerator designed for built-in installation. Ensure adequate ventilation around the appliance as specified in the installation diagram. The climate class is ST (16-38°C), meaning it is designed to operate optimally in ambient temperatures between 16°C and 38°C.

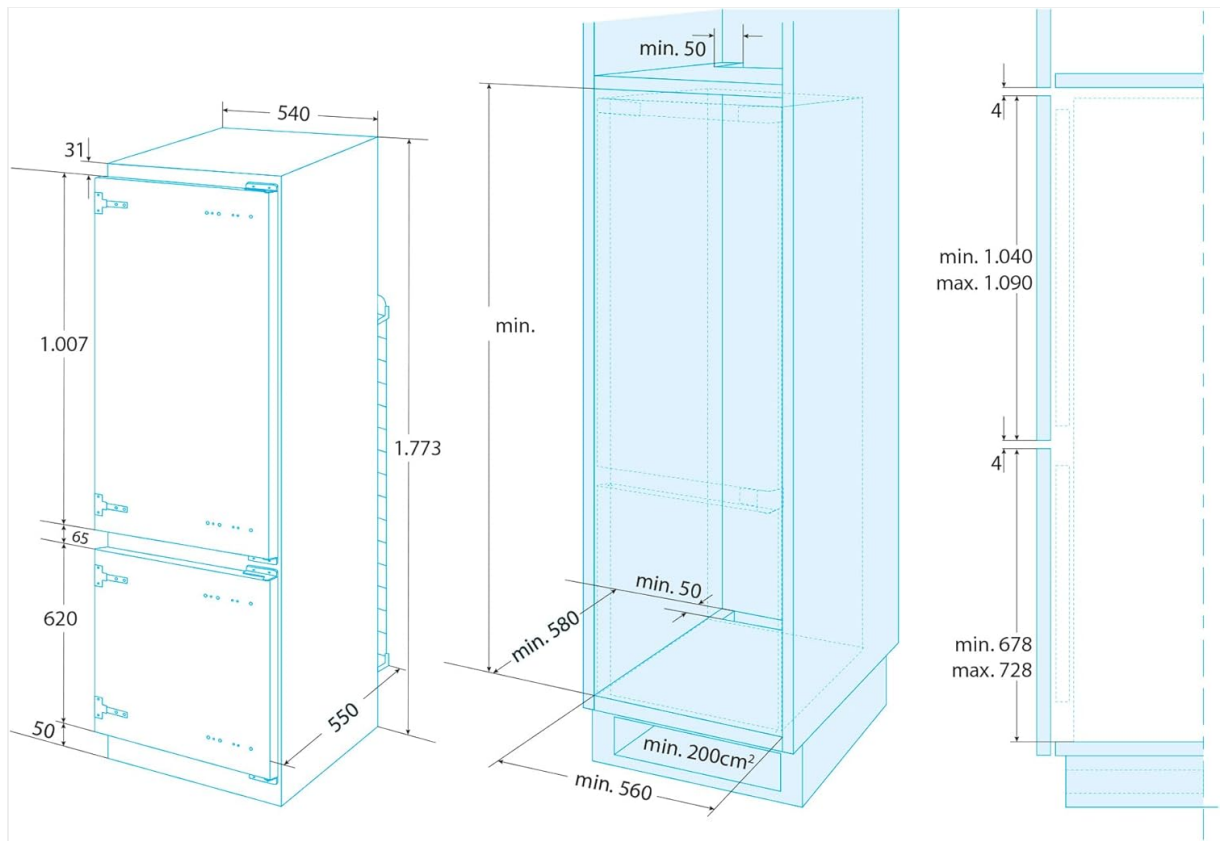


Figure 2.2.1: Technical drawing showing installation dimensions. Minimum clearances are indicated for proper ventilation and integration into cabinetry.

## 2.3 Electrical Connection

Connect the appliance to a 240 Volt, Type F – 2 pin (Germany and Spain) electrical outlet. Ensure the socket is easily accessible after installation. Do not use extension cords or multiple socket adapters.

## 2.4 Door Installation

This model features a sliding door system for integration with your kitchen cabinetry. Follow the specific instructions provided with the appliance for attaching the cabinet door panels to the refrigerator and freezer doors.



Figure 2.4.1: Detail of the top hinge mechanism for the integrated door system.



Figure 2.4.2: Detail of the middle hinge mechanism, connecting the refrigerator and freezer sections.

### **3. OPERATING INSTRUCTIONS**

---

#### **3.1 Initial Start-up**

After installation, wait at least 4 hours before plugging in the appliance to allow the refrigerant to settle. Once plugged in, the refrigerator will begin cooling. Allow several hours for the internal temperature to stabilize before loading food.

#### **3.2 Temperature Control**

The EDESA EFC-1711-I features mechanical temperature regulation. Adjust the thermostat dial located inside the refrigerator compartment to set the desired cooling level. Higher numbers typically indicate colder temperatures.



Figure 3.2.1: Internal control panel for temperature adjustment and mode selection.

### 3.3 Internal Layout and Storage

The refrigerator compartment includes 4 adjustable tempered glass shelves, 1 vegetable drawer, and a hidden soda compartment. The freezer compartment features 2 large capacity drawers and an independent tray for organized storage.





Figure 3.3.1: Interior view of the refrigerator and freezer compartments, highlighting storage solutions.

### **3.4 LED Lighting**

The appliance is equipped with high-intensity LED lighting for clear visibility of contents. This lighting is energy-efficient and durable.

## **4. MAINTENANCE AND CARE**

### **4.1 Cleaning**

Always unplug the appliance before cleaning. Clean the interior and exterior surfaces regularly with a soft cloth and a mild detergent. Avoid abrasive cleaners or solvents. The tempered glass shelves can be removed for easier

cleaning.

## 4.2 Defrosting

The refrigerator features an automatic defrosting system, minimizing the need for manual defrosting in the refrigerator compartment. The freezer compartment may require occasional manual defrosting if ice buildup becomes excessive. Refer to the full manual for detailed defrosting procedures.

## 4.3 Power Outages

In case of a power outage, keep the refrigerator and freezer doors closed to maintain the internal temperature for as long as possible. Avoid opening the doors unnecessarily.

## 5. TROUBLESHOOTING

---

Before contacting customer service, please check the following common issues:

- **Appliance not cooling:** Check if the power cord is properly plugged in. Ensure the circuit breaker has not tripped. Verify the temperature setting is appropriate.
- **Unusual noises:** Some operating noises (e.g., refrigerant circulation, compressor operation) are normal. Check if the appliance is level and not touching any walls or cabinets.
- **Excessive ice buildup in freezer:** Ensure the freezer door is sealing properly. Avoid leaving the door open for extended periods.
- **Water on the floor:** Check if the defrost water drain is clear and not blocked.

If the problem persists after checking these points, please contact EDESA customer support.

## 6. SPECIFICATIONS

---

Feature	Specification
Brand	EDESA
Model Number	EFC-1711-I (Manufacturer Part No: 924271271)
Capacity	269 Liters
Height	1.77 m
Energy Efficiency Class	F
Annual Energy Consumption	280 kWh per year
Color	White
Configuration	Full size bottom freezer
Special Feature	Adjustable Shelf
Installation Type	Integrated (Sliding door system)
Number of Doors	2
Defrost System	Automatic
Voltage	240 Volts
Freezer Capacity	269 Liters (Total capacity, specific freezer volume not detailed)
Cooling Method	Compressor
Number of Shelves	4
Electrical Plug Type	Type F – 2 pin (Germany and Spain)
Item Weight	51 Kilograms
Climate Class	ST (16-38°C)

## 7. SUPPORT AND WARRANTY

For technical assistance, spare parts, or warranty claims, please contact your retailer or the official EDESA customer support. Keep your purchase receipt and model information (EFC-1711-I) handy when contacting support.

EDESA is committed to providing functional, efficient, reliable, and durable products. Your satisfaction is a priority.